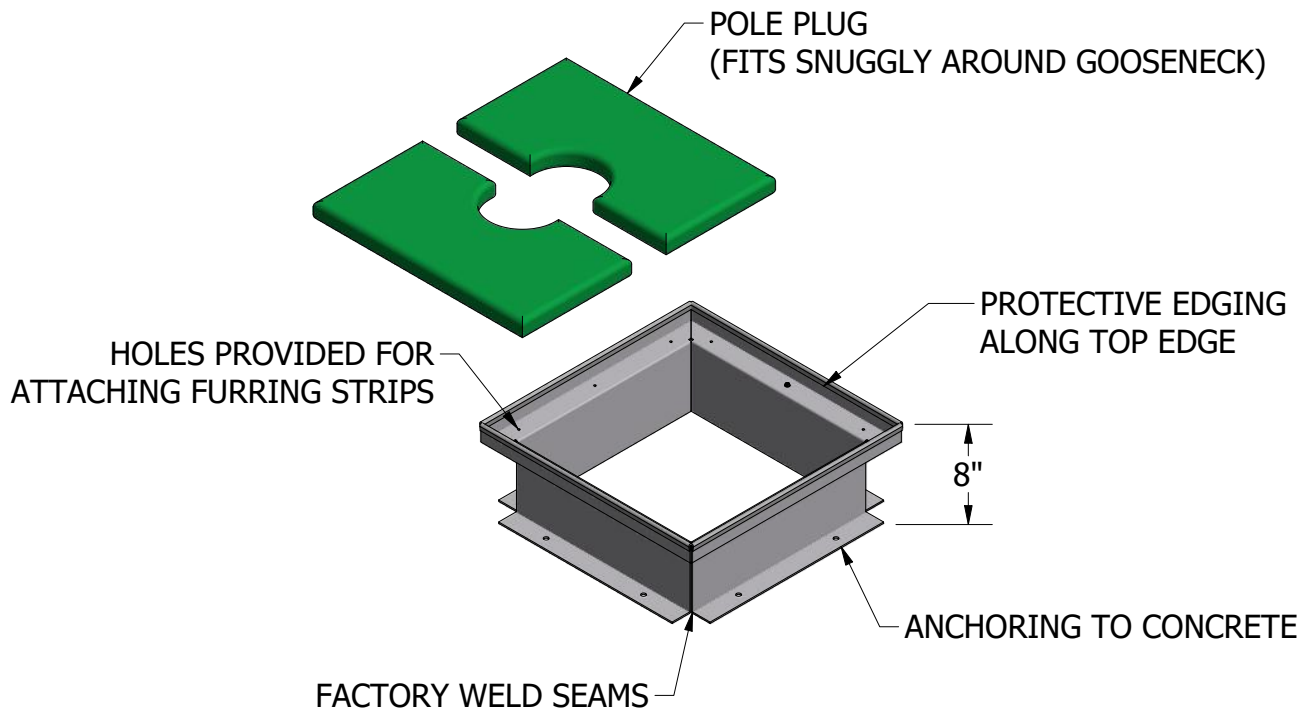


# FBGPAF-1 ACCESS FRAME KIT



## SPECIFICATIONS:

- 1) ACCESS FRAME MAY BE USED FOR EITHER NATURAL GRASS OR ARTIFICIAL TURF FIELDS.
- 2) 18 1/4 inch SQUARE INSIDE DIMENSION OFFERS COMPLETE ACCESS TO GROUND SLEEVE
- 3) OVERALL DEPTH IS 8 INCHES, WORKING DEPTH IS 6 1/2 INCHES
- 4) MADE OF 1/8 inch ALUMINUM WITH FACTORY WELDED SEAMS
- 5) PROTECTION OF THE EXPOSED GROUND SURFACE EDGE PROVIDED BY QUICK TRIM PLASTIC EDGING
- 6) 7/16 inch HOLES PROVIDED FOR ANCHORING TO CONCRETE
- 7) 3/16 inch HOLES PROVIDED FOR FURRING STRIP ATTACHMENT
- 8) POLE PLUG COVERED IN ARTIFICIAL TURF ARE INCLUDED WITH KIT
- 9) PLUGS AND FULL COVER ARE 3/4 inch PRESSURE TREATED PLYWOOD AND ARE AVAILABLE COVERED IN ARTIFICIAL TURF

## OPTIONAL EQUIPMENT:

- FBGPAF-1-3 FULL COVER WITH TURF
- FBGPAF-1-4 POLE PLUG WITH TURF

NOTE: NOT TO BE USED WITH GOALPOST HINGE KIT SEE ACCESS FRAME FBGPAF-2



## FBGPAF-1

FOOTBALL GOALPOST ACCESS FRAME KIT 18" x 18" x 6 1/2"

© COPYRIGHT 2020 JAYPRO SPORTS, LLC. ALL RIGHTS RESERVED THIS PRINT IS THE PROPERTY OF JAYPRO SPORTS, LLC. AND MAY NOT BE REPRODUCED WITHOUT WRITTEN PERMISSION

[www.jaypro.com](http://www.jaypro.com)  
(800) 243-0533  
976 Hartford Turnpike  
Waterford, CT 06385 USA

Rev: A

SHEET 1 OF 1