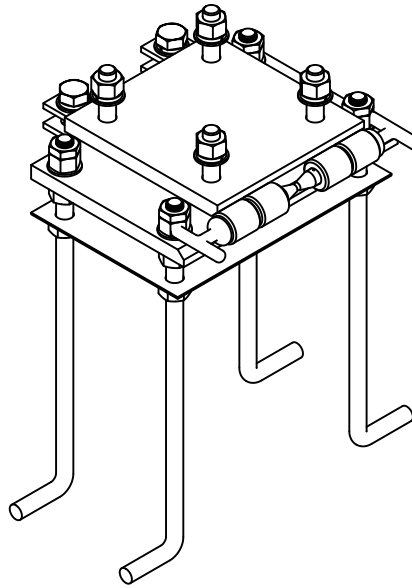


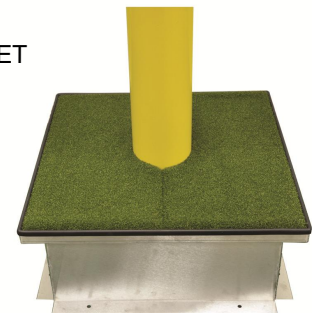
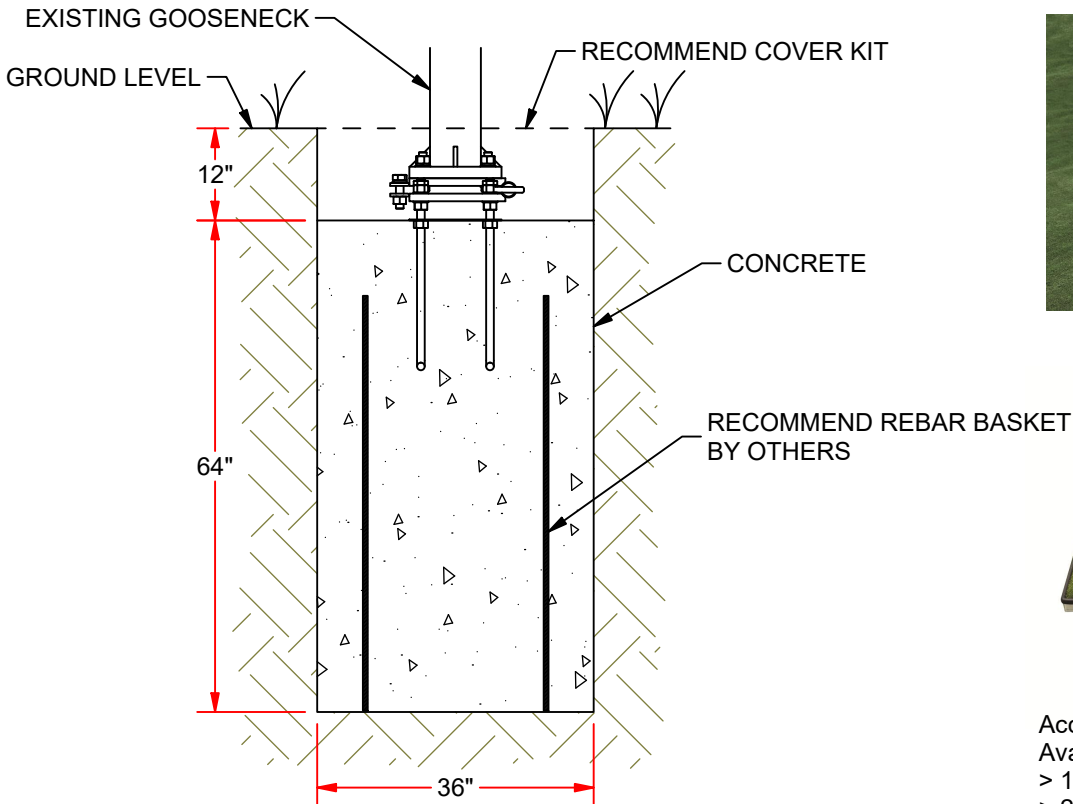


FBHG-1 Football Hinge Kit



Allows any surface-mounted MAX-1™ football goal to be lowered and dismantled from ground level by a maintenance crew.

- > Opposing pull pins offer easy separation of hinge plates
- > Required access frame and cover (FBGPAF-2) sold separately



Access Frames and Covers
Available in 2 sizes:

- > 18" x 18" x 6 1/2" (FBGPAF-1)
- > 26" x 26" x 10" (FBGPAF-2)



FBHG-1

Football Hinge Kit

© COPYRIGHT 2019 JAYPRO SPORTS, LLC. ALL RIGHTS RESERVED THIS PRINT IS THE PROPERTY OF JAYPRO SPORTS, LLC. AND MAY NOT BE REPRODUCED WITHOUT WRITTEN PERMISSION

www.jaypro.com
(800) 243-0533
976 Hartford Turnpike
Waterford, CT 06385 USA