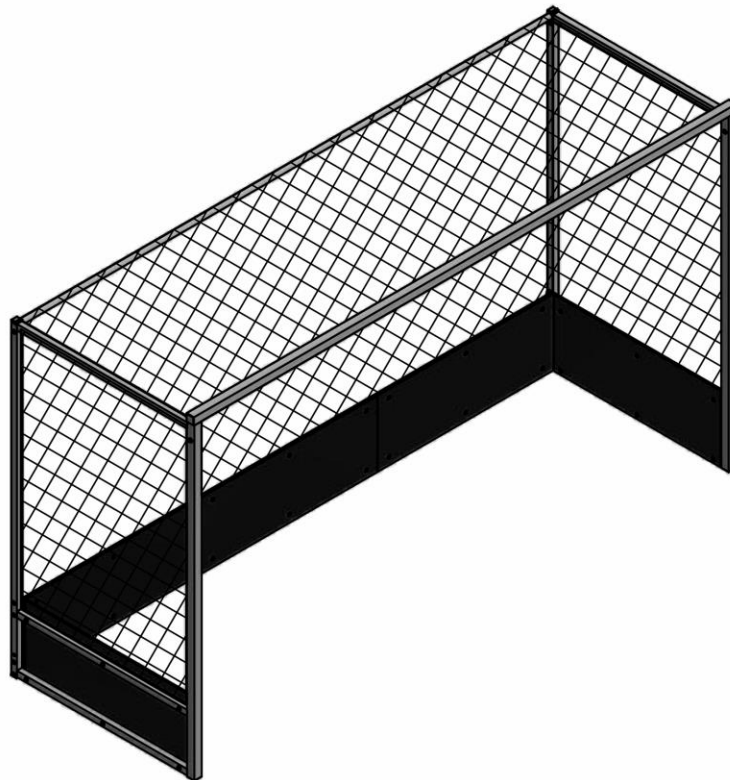



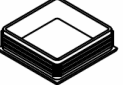


-- FHG-2AL --
(Formally: OFHG-7124)
OFFICIAL FIELD HOCKEY GOAL
Installation Instructions



Call Jaypro Sports Equipment at 1-800-243-0533
during regular business hours for technical support.

www.jaypro.com

ITEM	IMAGE	DESCRIPTION	QTY
1		TOP FRONT CROSSBAR <i>P/N: FHG-2AL-1XB</i>	1
2		RIGHT SIDE FRAME <i>P/N: FHG-2AL-1R</i>	1
3		LEFT SIDE FRAME <i>P/N: FHG-2AL-1L</i>	1
4		BOTTOM REAR CROSSBAR <i>P/N: FHG-1XB-1</i>	2
5		TOP REAR CROSSBAR	1
6		REAR FOOT BOARD x 48 1/8" LONG <i>P/N: FHG-16-1</i>	3
7		SIDE FOOT BOARD x 45 3/4" LONG <i>P/N: FHG-16-2</i>	2
8		5/16"-18 x 2 1/2" BUTTON HEAD SCREW <i>P/N: HS5180</i>	40
9		5/16" FLAT WASHER <i>P/N: HW5020</i>	80
10		5/16-18 NYLON LOCK NUT <i>P/N: HN261</i>	40
11		3/8"-16 x 2-1/2" LONG HEX BOLT <i>P/N: HS291</i>	2
12		3/8" LOCK WASHER <i>P/N: HW334</i>	2
13		3/8" FLAT WASHER <i>P/N: HW2047</i>	2
14		NET CLIP KIT <i>P/N: SNT-180</i>	1
15		7' x 12' x 4' WEATHERPROOF NET <i>P/N: FHND-8</i>	1
16		2" SQUARE TUBE CAP <i>P/N: EP0018</i>	2
17		1 1/2" SQUARE TUBE CAP <i>P/N: EP0034</i>	2
18		Optional Wheel Kit <i>P/N: FHK-1WK</i>	N/A

PARTS LIST (QTY: SINGLE UNIT)

IMPORTANT NOTICE:

- 1) BEFORE EACH USE CHECK EQUIPMENT FOR PROPER CONNECTING HARDWARE AND STRUCTURAL INTEGRITY. REPLACE DAMAGED OR MISSING HARDWARE IMMEDIATELY.
- 2) NEVER ALLOW ANYONE TO CLIMB OR HANG ON THE NET OR GOAL FRAME. AS SERIOUS INJURY OR DAMAGE TO THE EQUIPMENT MAY OCCUR.
- 3) USE OF THIS EQUIPMENT OTHER THAN INTENDED, MAY BE HAZARDOUS.
- 4) ALTERATION OR MODIFICATION OF THIS EQUIPMENT MAY BE HAZARDOUS AND RESULT IN INJURY.
- 5) FOR REPAIR OR REPLACEMENT PARTS, CONTACT YOUR DEALER OR JAYPRO SPORTS.

Tools Require:

- 1 Rubber Mallet
- 1 1/2" Socket Wrench or Box Wrench
- 1 3/16" Allen Wrench

- Unpack all parts and hardware, and check against the parts list to ensure that all items have been included.
- Inspect all parts for damage. Report any damages to the trucking company immediately.

ASSEMBLY (REQUIRES 2 PEOPLE):

- 1) Lay parts out on clean dry flat surface. NOTE: There is a left and right side frame, distinguished by the offset to accommodate the Foot Boards. Identify each frame and install keeping the offset to the outside of the goal.
- 2) Assemble both side frames onto the Top Crossbar, as shown in Figure 1.

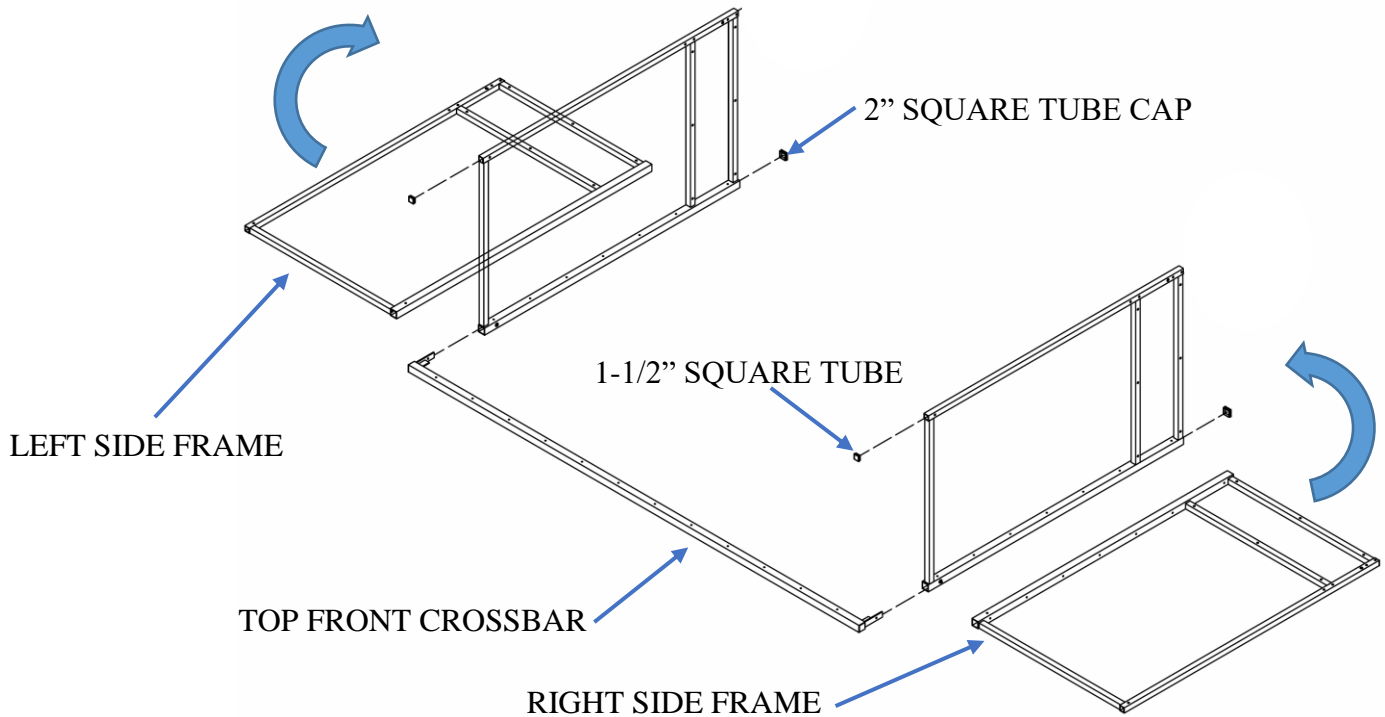


Figure 1

- 3) Insert the End Caps into the bottom of the frame.
- 4) Install the Top & Bottom Crossbars as shown in Figure 2. Loosely install all hardware. Make sure the goal is square and the top fully inserted and then tighten all hardware.

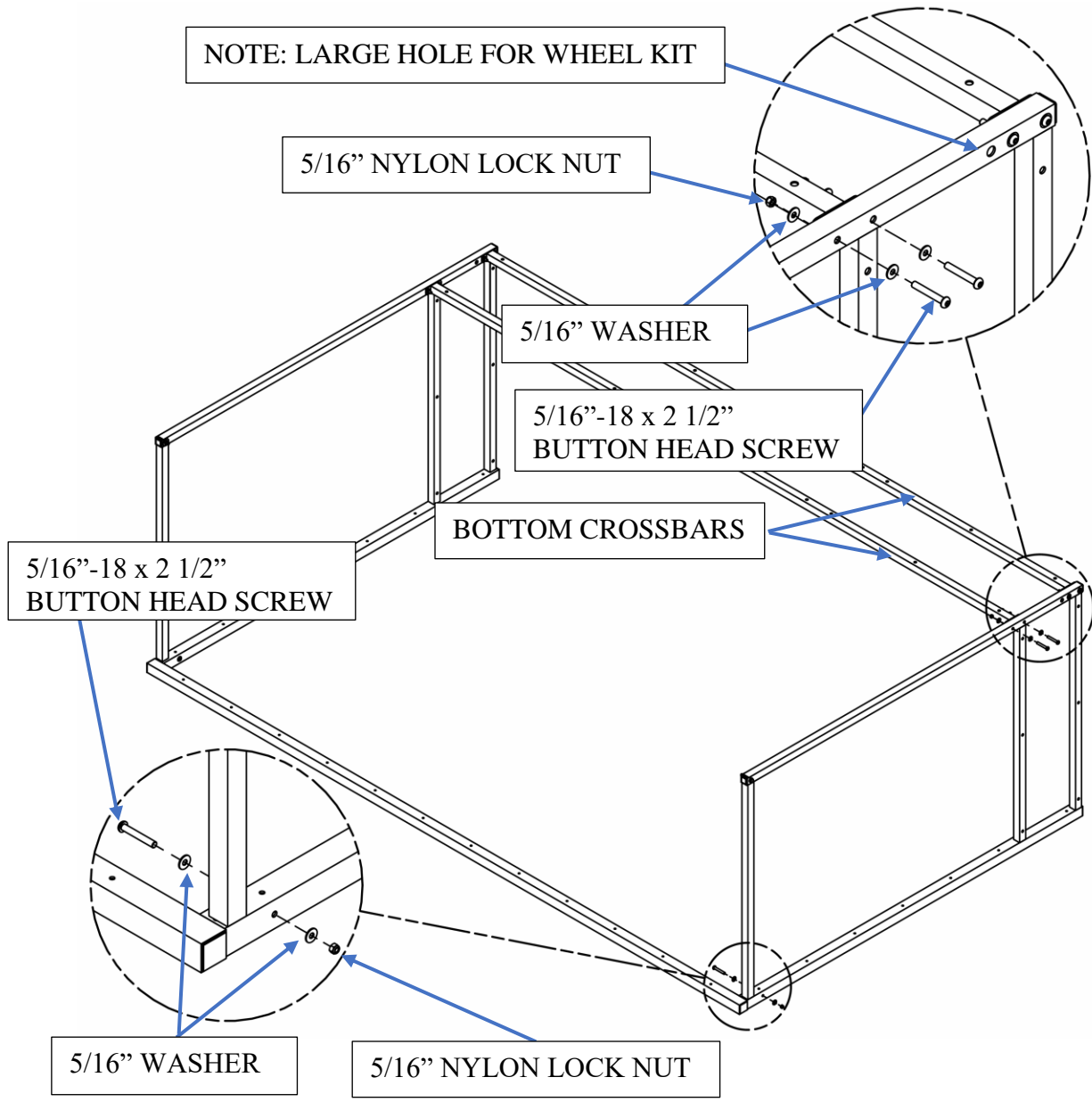


Figure 2a

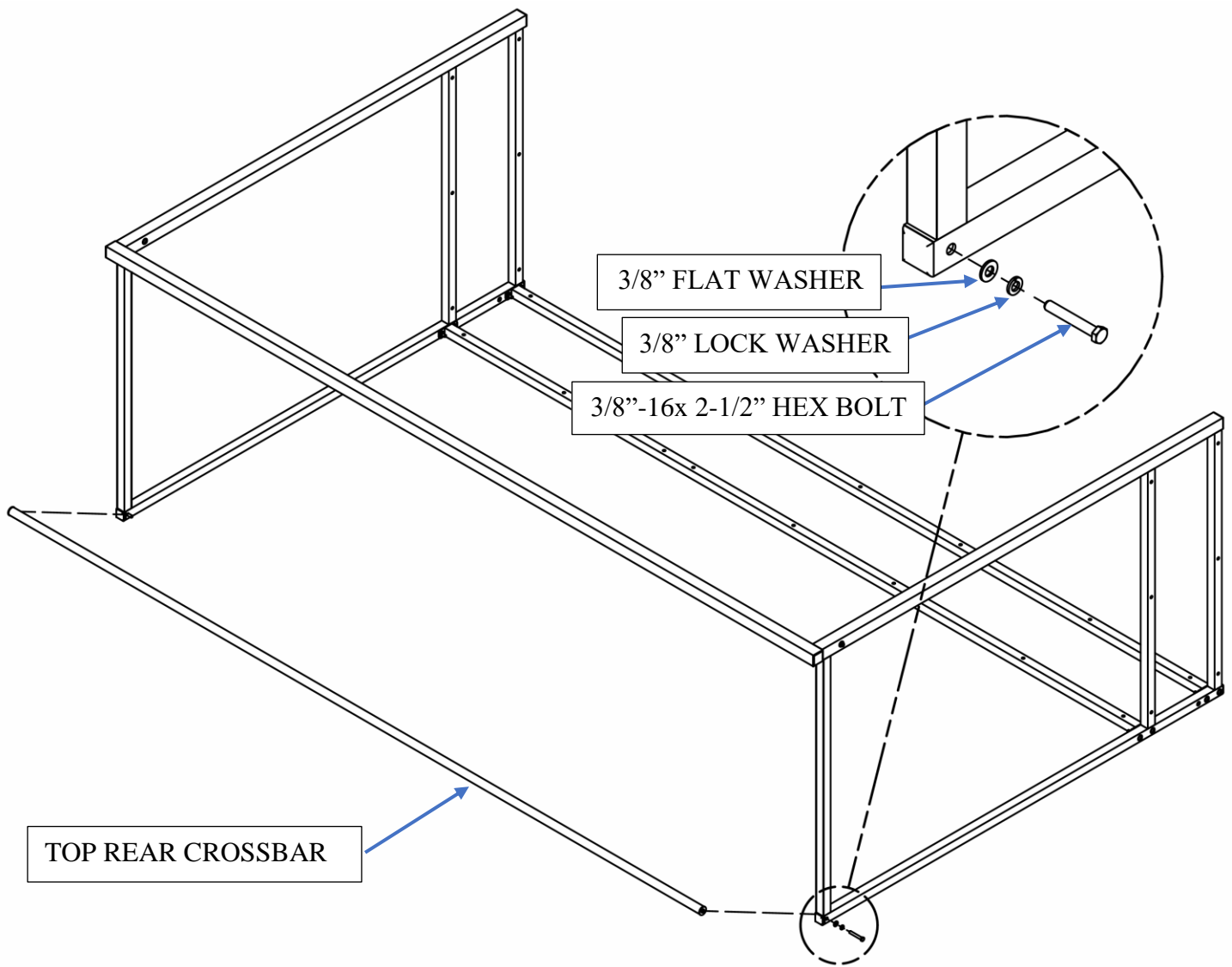
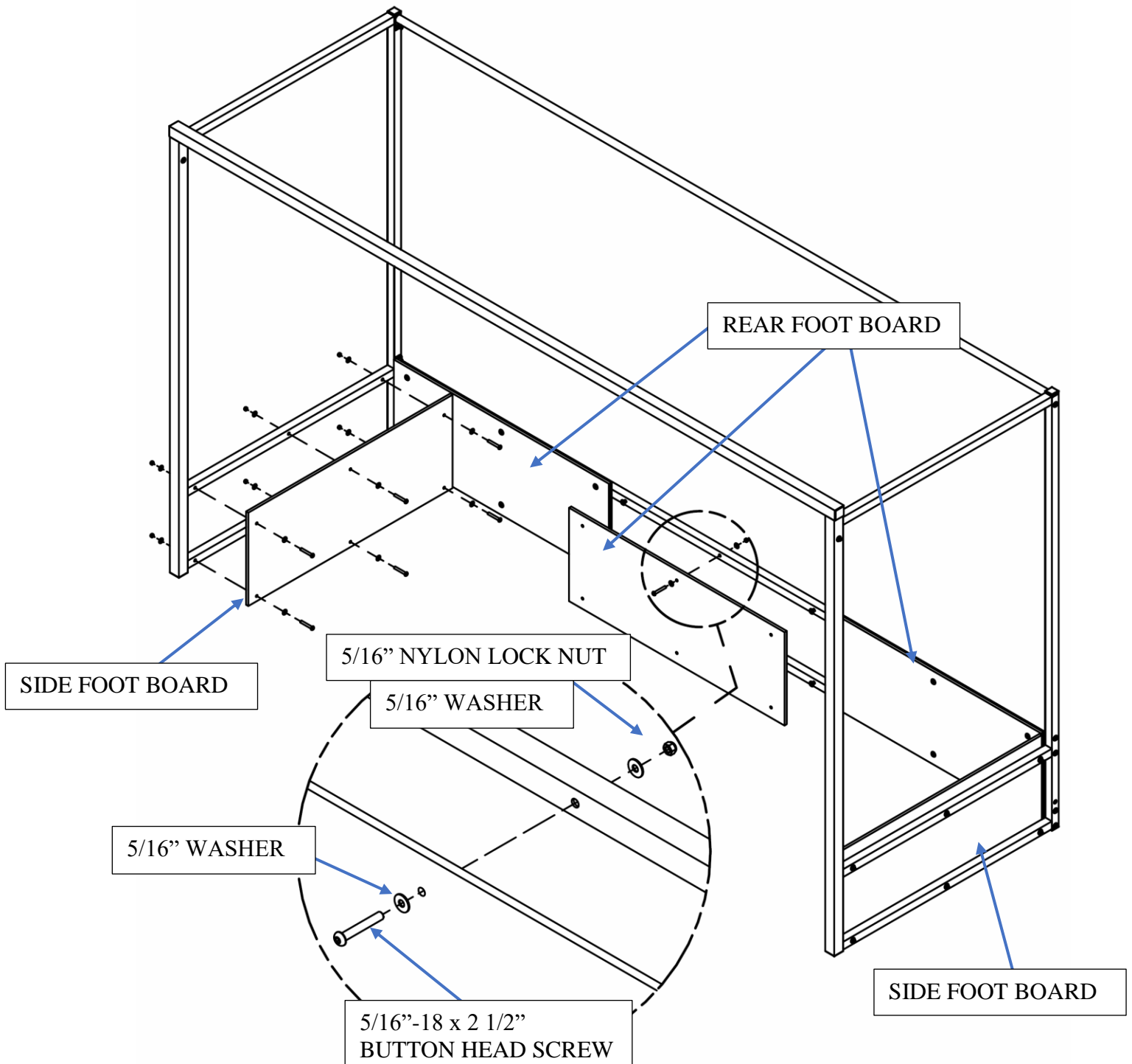


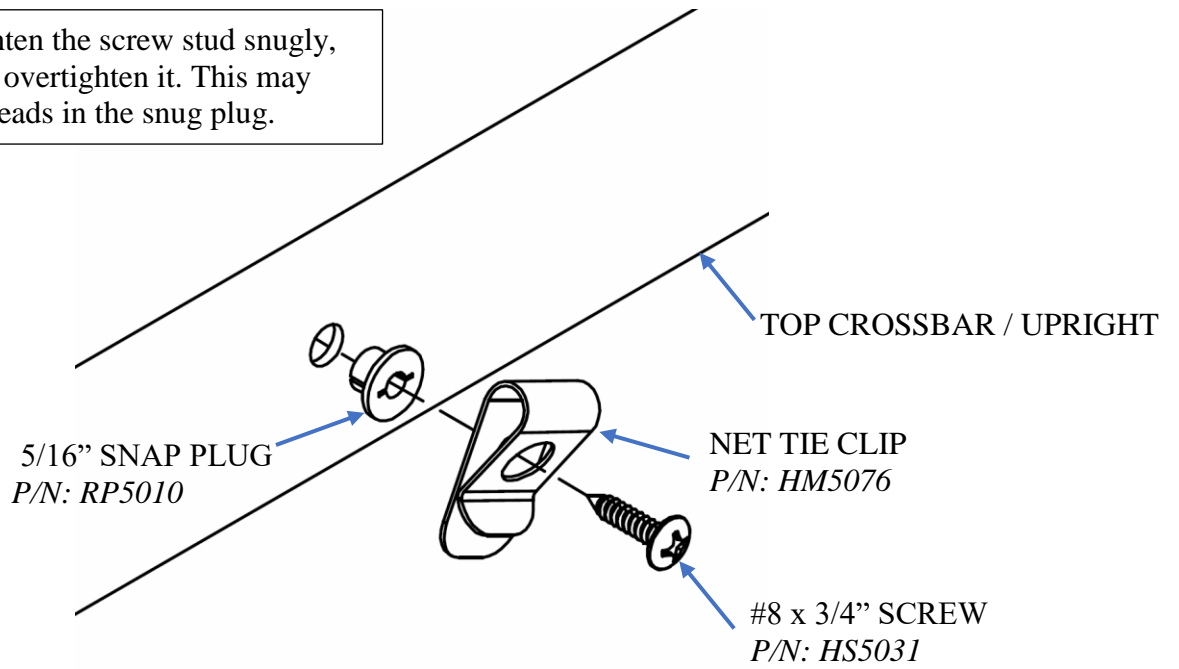
Figure 2b
(Flip 180°)

Note: Be careful not to cross-thread the nut or bolt when installing the top rear crossbar.
Lay goal on its back and place a 2" x 4" block underneath far end of the crossbar.



- 7) Stand the goal up and install the Foot Boards. Install the Rear Boards first.
- 8) Drape the net over the goal and secure net to the goal using the net clips & screws. Note the top corner of net has a label.
- 9) To minimize the amount of sag across the back of the net, tie off the cord that passes across the back corner of the net to the backstays.

Note: Tighten the screw stud snugly, but do not overtighten it. This may strip the treads in the snug plug.



SNT-180
Net Clip Kit Bag Contains 82 Pieces

