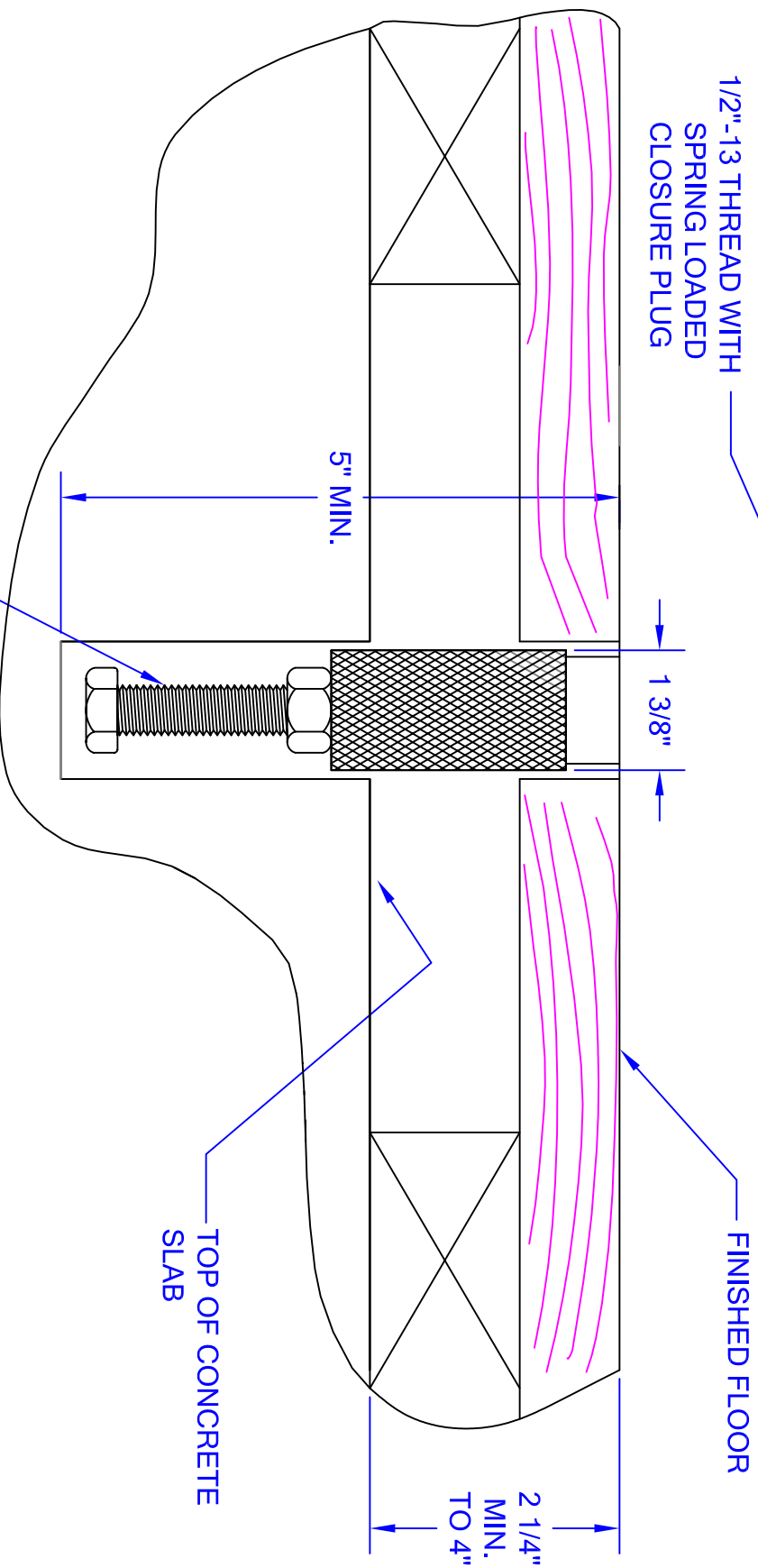


1/2\"-13 THREAD WITH
SPRING LOADED
CLOSURE PLUG



SECURE ANCHOR BOLT
TO SUBFLOOR USING
ANCHOR BOLT CEMENT
(NOT SUPPLIED)

Jaypro Sports

976 Hartford Turnpike
Waterford, CT 06385 USA

(800)243-0533

(800)988-3363 Fax

www.jaypro.com

MODEL NO.:
FP-90

PRODUCT NAME:
FLOOR PLATE

DRAWN BY: JAC

EFFECTIVE DATE:
5-9-03

JAYPRO SPORTS
FLOOR PLATE ASSEMBLY, FP-90
LIST OF MATERIALS

| <u>PIECE NO.</u> | <u>PART NO.</u> | <u>DESCRIPTION</u> | <u>QTY.</u> |
|------------------|-----------------|----------------------------|-------------|
| 1 | FP-90 | FLOOR PLATE ASSEMBLY | 1 |
| 2 | HS2726 | HEX HEAD BOLT ½"-13 x 2 ½" | 1 |
| 3 | HN704 | HEX NUT ½"-13 | 1 |

ASSEMBLY INSTRUCTIONS

TOOLS REQUIRED: Hammer Drill
1 3/8" Masonry Drill Bit
Mixing Container And Water
Small Vacuum Cleaner
Stiff Circular Brush (Bottle Brush)
Putty Knife Or Scraper
Rag Or Other Absorbent Material
Regular Power Drill
1 3/8" Wood Drill Bit
5/32" Drill Bit
Screwdriver With Wide Blade
¾ lb. (Approx) Non Shrink Anchoring Cement

NOTICE

The fp-90 floor plate assembly is manufactured with a removable center section which can be replaced in the event that the internal threads are damaged. Upon original installation of the floor plates or replacement of threaded sections, be sure that the replacement threaded sections are installed very tightly using a thread locking sealant to prevent easy removal or tampering.

PLEASE READ INSTRUCTIONS IN THEIR ENTIRETY BEFORE BEGINNING INSTALLATION

- 1) Locate and mark the center locations of the floor plates using the layout diagram in the equipment instructions sheet. Re-check all center locations for accuracy before installing the floor plates.
- 2) Using the 1 3/8" wood drill bit, drill a hole in the wood floor and the wood sub floor down to the concrete base as shown in figure 'a'.
- 3) Screw the ½" bolt with the nut into the bottom of the floor plate. Adjust the bolts so it will reach ½" x ¼" from the bottom of the hole when the floor plate is in place. Tighten the nut against the floor plate bottom to lock the bolt into place. In some cases the bolt supplied with the fp-90 unit will not reach to the bottom of the hole in the cement. If this happens, a longer bolt or threaded rod should be used to insure reaching the bottom.
- 4) Next, completely remove the dust from the hole by using a vacuum cleaner, air compressor, or battery filler.
- 5) Fill the hole with water. Scrub the sides and bottom with a stiff brush, such as a bottlebrush. This is very important.

- 6) Remove excess water and any loose particles with a rag or other absorbent material. Leave the hole clean and uniformly damp.
- 7) Mix the anchor bolt cement in a clean container.
Note: See manufacturers instructions for proper use.
Do not add sand, gravel, or other foreign substances to the cement. These weaken the cement and affect the setting.
Do not add too much water or re-tempering cement, which has begun to set up in the container, with no additional water. This will result in failure of the cement to attain the proper strength.
- 8) Turn a 1/2" bolt into the floor plate enough to hold it securely. Pour the cement mixture into the hole until it is about 3/4 full. Dip the floor plate in water in order to wet the outer surface, but do not let any water get inside. Holding the floor plate by the top of the 1/2" bolt, slowly lower it into the hole until the top is level with the surface of the floor. Excess cement should flow around the top. If not, more cement should be added. Scrape the excess cement from around the floor plate with a putty knife or scraper. Remove the 1/2" bolt.
- 9) Allow 24 hours from the time of installation for complete setting. After 24 hours, apparatus may be set up and used with the floor plates.