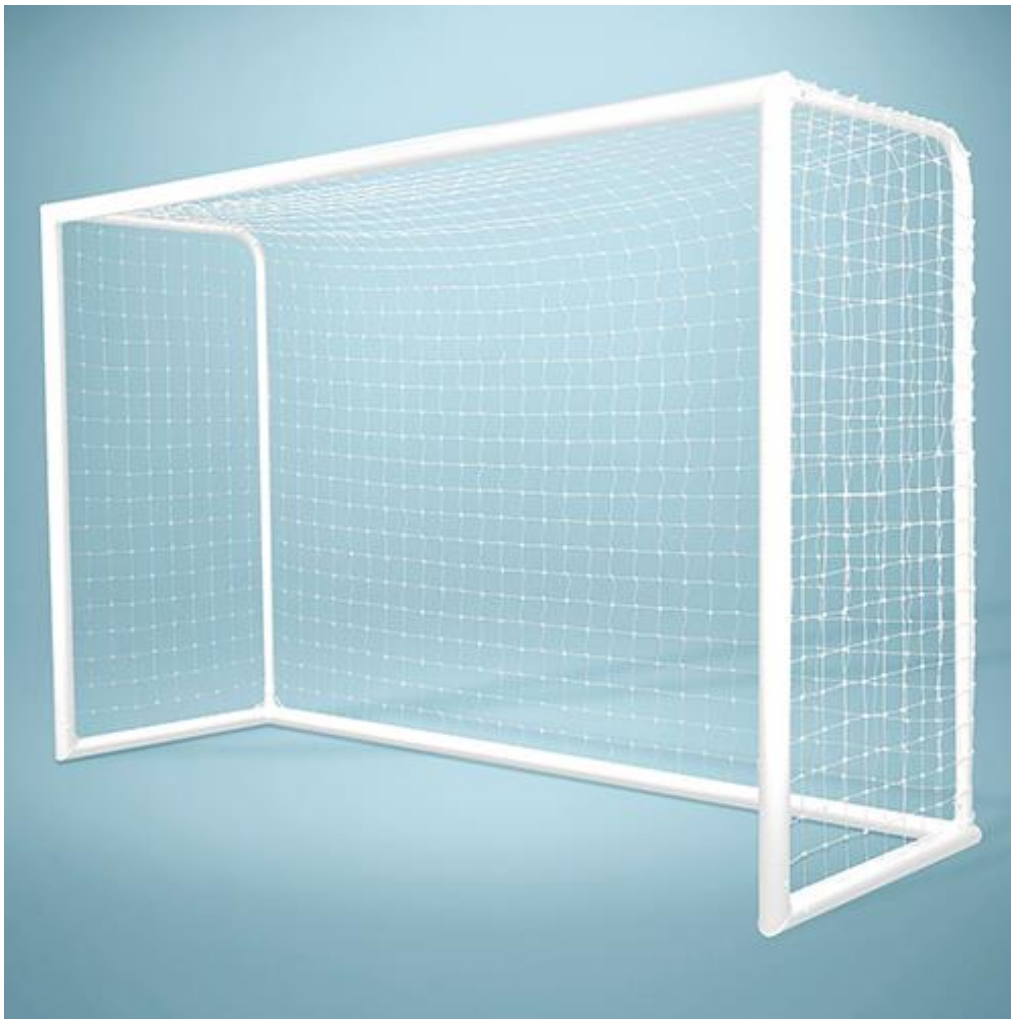




**-- FSG-1 --**  
**Installation Instructions**

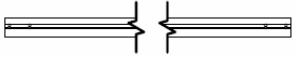
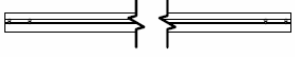

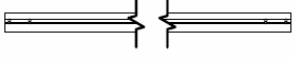
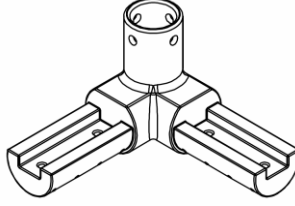





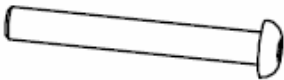




Call Jaypro Sports Equipment at 1-800-243-0533 during regular business hours for technical support.

[www.jaypro.com](http://www.jaypro.com)

# FSG-1

## PARTS LIST (QTY: SINGLE UNIT)

ITEM	IMAGE	DESCRIPTION	QTY
1		73 3/4" LONG UPRIGHT <i>FSG-1-A1</i>	2
2		34 9/16" LONG BASE <i>FSG-1-A2</i>	2
3		BACKSTAY 1.90 DIA <i>FSG-BS1</i>	2
4		116 1/8" LONG CROSSBAR <i>FSG67910-5</i>	2
5		Classic Cast Corner - Machined <i>SG-L</i>	4
6		Bottom RCG Cast Corner - Machined <i>SG-K</i>	2
7		3/8-16 UNC-Nylon Lock Nut-SS-GrNC <i>HN5003</i>	4
8		3/8" FLT SAE, SS <i>HW2151</i>	24
9		3/8" MEDIUM SPLIT LOCK WASHER, SS <i>HW2152</i>	24
10		3/8-16 x 3/4" HEX BUTTON CAP SCREW-SS <i>HS5228</i>	24
11		3/8-16 x 3 HEX BUTTON CAP SCREW-SS <i>HS5203</i>	4
12		FUTSAL GOAL REPLACEMENT NET <i>FSG67910N (COLOR COMES IN WHITE)</i>	1
13		NET CLIPS <i>ENC-824</i>	1/2

**IMPORTANT NOTICE:**

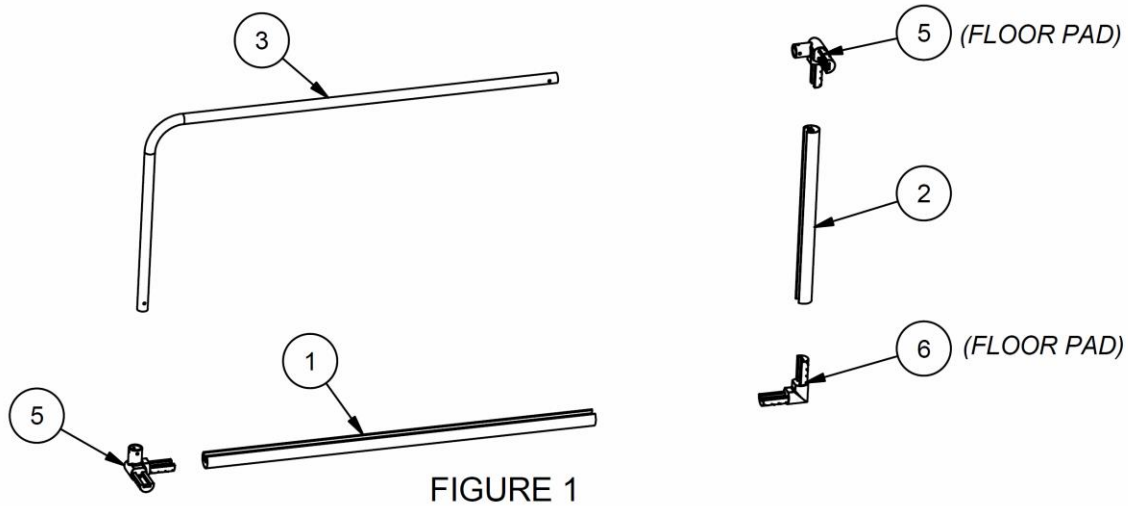
- 1) BEFORE EACH USE CHECK EQUIPMENT FOR PROPER CONNECTING HARDWARE AND STRUCTURAL INTEGRITY. REPLACE DAMAGED OR MISSING HARDWARE IMMEDIATELY.
- 2) NEVER ALLOW ANYONE TO CLIMB OR HANG ON THE NET OR GOAL FRAME. AS SERIOUS INJURY OR DAMAGE TO THE EQUIPMENT MAY OCCUR.
- 3) USE OF THIS EQUIPMENT OTHER THAN INTENDED, MAY BE HAZARDOUS.
- 4) ALTERATION OR MODIFICATION OF THIS EQUIPMENT MAY BE HAZARDOUS AND RESULT IN INJURY. FOR REPAIR OR REPLACEMENT, CONTACT YOUR DEALER OR JAYPRO SPORTS.

**Tools Require:**

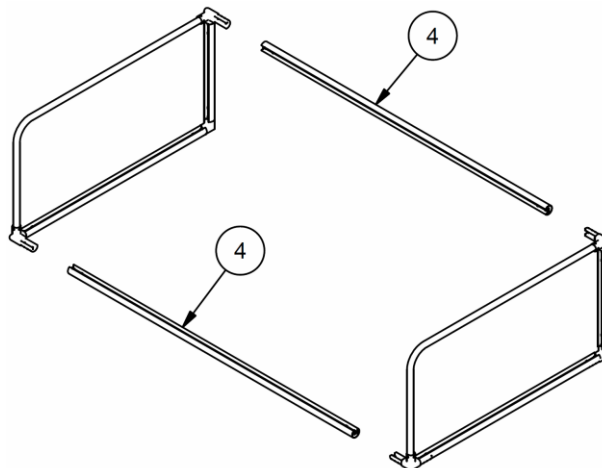
- 1 Rubber Mallet
  - 1 9/16" Socket Wrench or Box Wrench
  - 1 7/32" Allen Wrench
- 
- Unpack all parts and check against parts list to ensure that all have been included.
  - Inspect all parts for damage. Report any damages to the trucking company.
  - Tools required: tape measure, step ladder
  - \* Extra screws are included, discard or stow away as needed.

**ASSEMBLY (REQUIRES 2 PEOPLE):**

- 1) Unpack all parts and check against parts list to ensure that all parts have been included.
- 2) Inspect for damage. Report all damages to trucking company.
- 3) Lay parts out on clean dry floor.
- 4) Assemble both side frames, as shown in Figure 1 (note the orientation of the safety labels). The corner fittings having floor pads, go on the bottom of the frame. Installation hint: Assemble the base (items 2, 5 & 6). Next assemble the upright (1) top corner fittings (5) and backstay (3) as one. Then slide this onto the pre-assembled base.



- 5) Hold one side frame goal face down on the floor. Carefully insert the top crossbar onto the front corner fitting of the side frame (be sure to note the orientation of the labels). Carefully insert the rear crossbar onto the rear corner fitting. While holding the free end of the rear crossbar, slide the other side frame onto both crossbars. Be sure to slide the fittings on evenly to avoid binding.



6) Loosely install all hardware. Ensure goal is square and corners fully inserted and then tighten hardware.

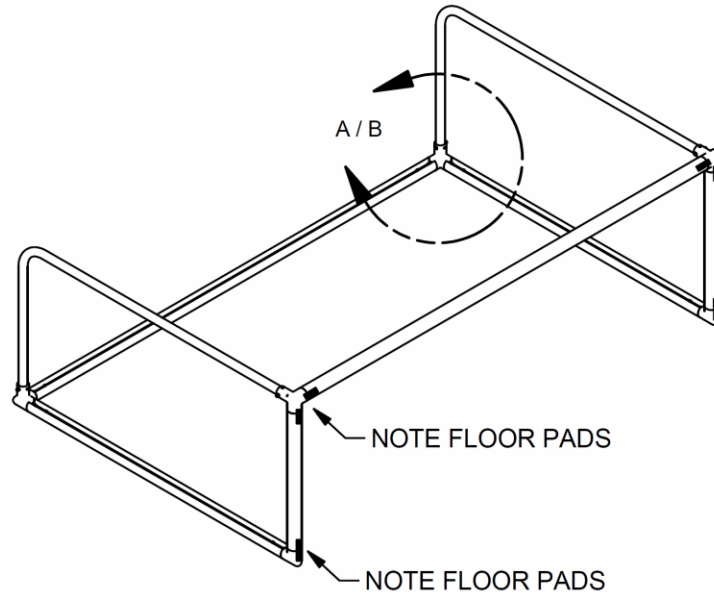
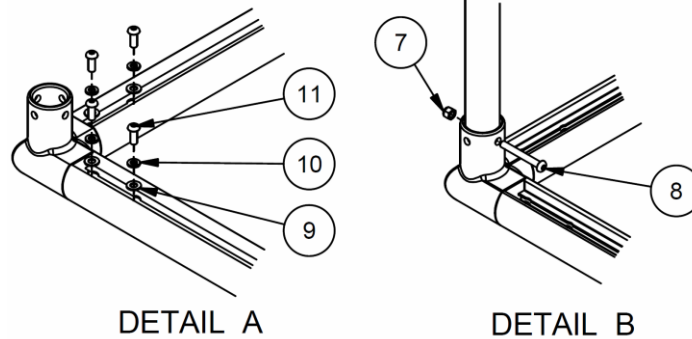


FIGURE 3



7) Drape the net over the goal and secure net to the extrusion using the net clips. Note the top corner of net has a label.

8) To minimize the amount of sag across the back of the net, tie off the cord that passes across the back corner of the net to the backstays.

