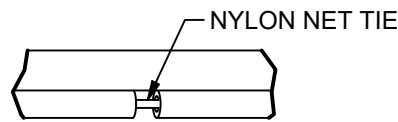
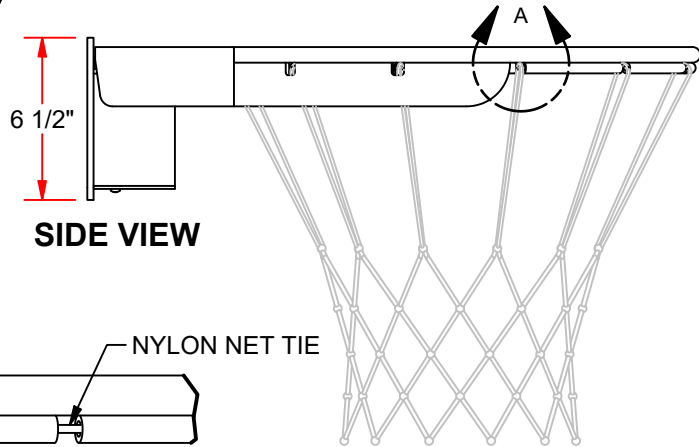
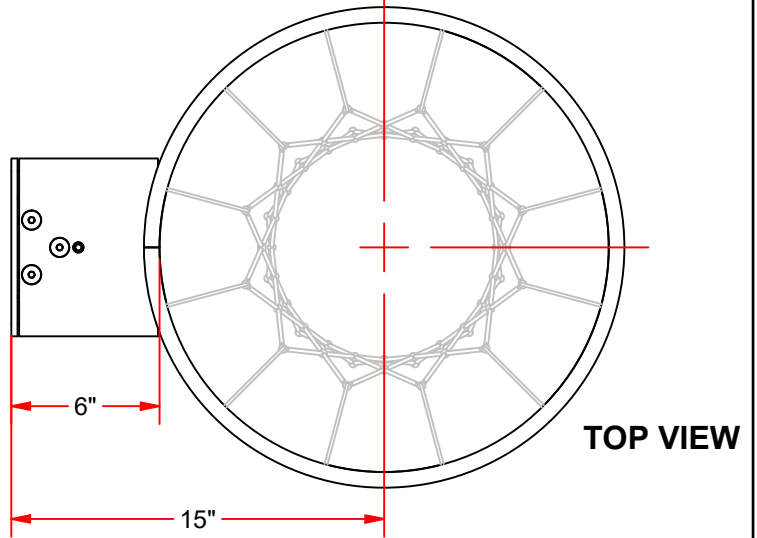
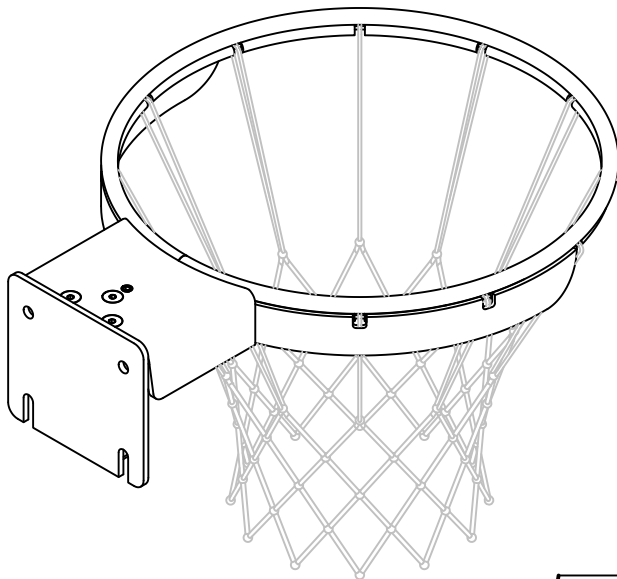
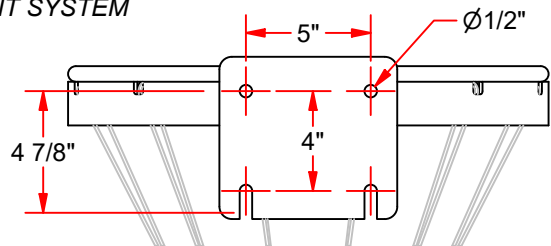


# GBA-182 REVOLUTION 180° FLEX GOAL



**DETAIL A**  
HIDEAWAY NET ATTACHMENT SYSTEM  
(12 PLACES)



**BACK VIEW**

**FEATURES:**

- > NCAA AND NFHS COMPLAINT
- > FLEXES ALONG 180 DEGREE PLAIN TO ELIMINATE SNAP BACK ASSOCIATED WITH TRADITIONAL BREAKAWAY GOALS
- > TUBE-TIE NET ATTACHMENT
- > 5" X 4" MOUNTING HOLE PATTERN
- > ANTI-WHIP NET AND MOUNTING HARDWARE INCLUDED
- > 5 YEAR LIMITED WARRANTY



**GBA-182**

REVOLUTION 180° FLEX GOAL

© COPYRIGHT 2020 JAYPRO SPORTS, LLC. ALL RIGHTS RESERVED THIS PRINT IS THE PROPERTY OF JAYPRO SPORTS, LLC. AND MAY NOT BE REPRODUCED WITHOUT WRITTEN PERMISSION

[www.jaypro.com](http://www.jaypro.com)  
(800) 243-0533  
976 Hartford Turnpike  
Waterford, CT 06385 USA

Rev:

SHEET 1 OF 1