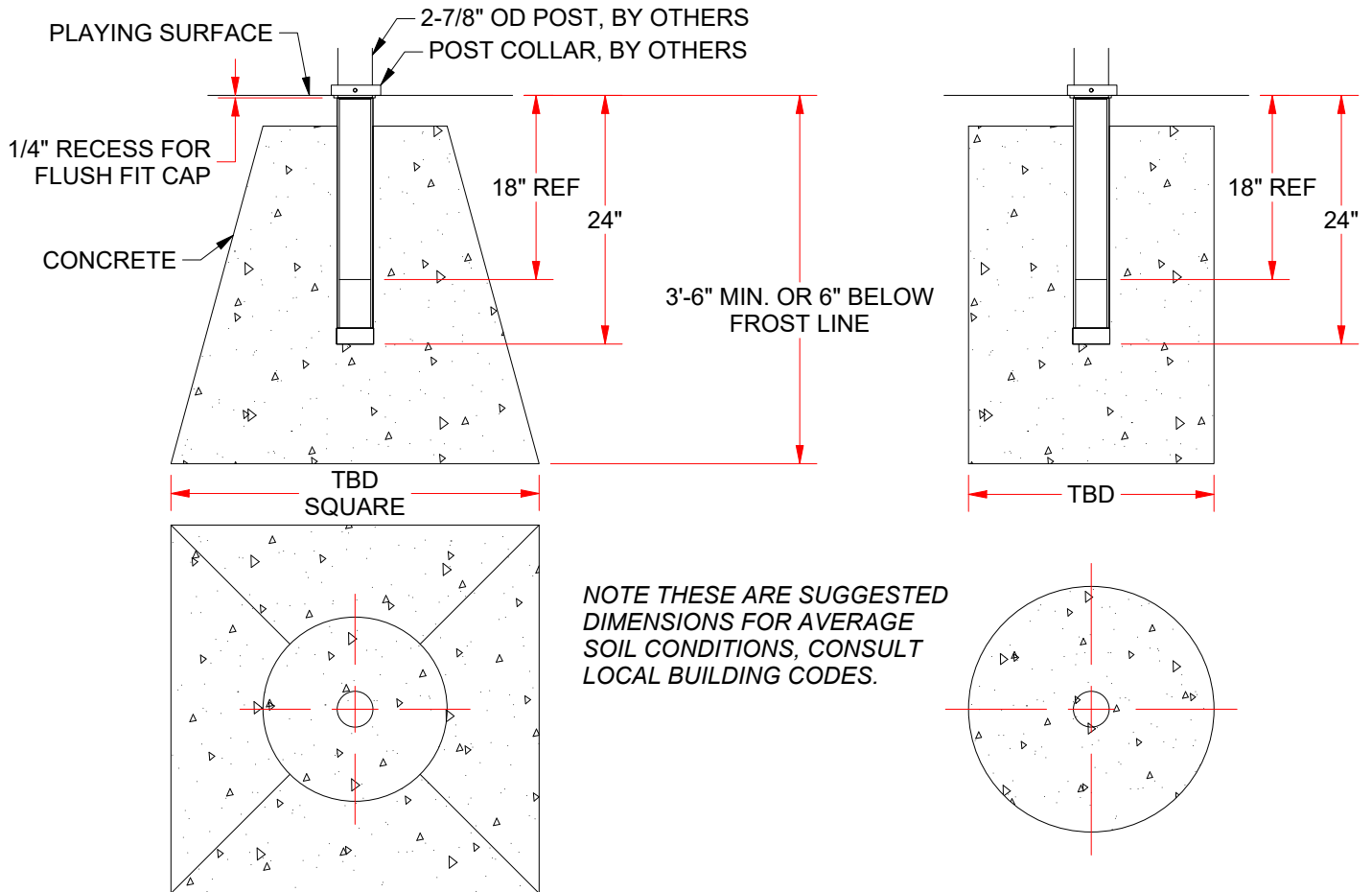
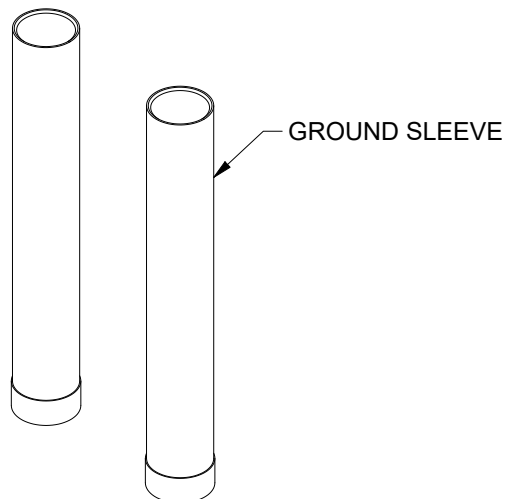


# GROUND SLEEVE FOR 2 7/8" POLE



**FEATURES:**

- > GROUND SLEEVES FOR SEMI-PERMANENT INSTALLATION OF 2-7/8" OD POSTS
- > PVC 3-1/2" O.D. x 24" LONG TUBE (3.068" I.D.)
- > INCLUDES TWO GROUND SLEEVES
- > OPTIONAL TOP CAP AVAILABLE (EP0026M)



**GS278**

PVC GROUND SLEEVE FOR 2 7/8" POLE

© COPYRIGHT 2022 JAYPRO SPORTS, LLC. ALL RIGHTS RESERVED THIS PRINT IS THE PROPERTY OF JAYPRO SPORTS, LLC. AND MAY NOT BE REPRODUCED WITHOUT WRITTEN PERMISSION

[www.jayprosports.com](http://www.jayprosports.com)  
 (800) 243-0533  
 976 Hartford Turnpike  
 Waterford, CT 06385 USA

Rev: A

SHEET 1 OF 1