



LC-6 -- Little Champ Easy Adjust Backboard Adapter Installation Instructions

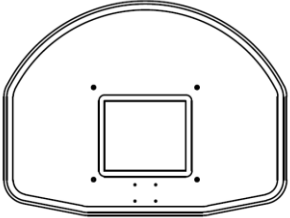
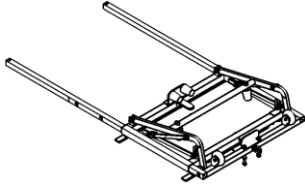
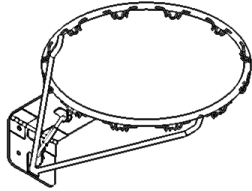
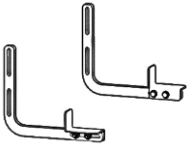
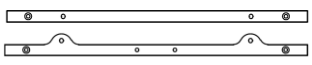
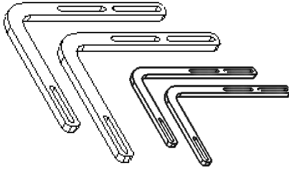
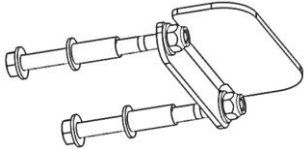
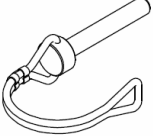


Call Jaypro Sports Equipment at 1-800-243-0533 during regular business hours for technical support.

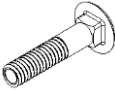
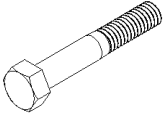
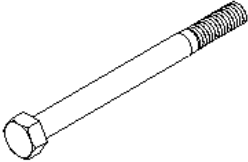


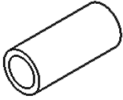



www.jaypro.com

Little Champ Easy Adjust Backboard Adapter

PARTS LIST (QTY: SINGLE UNIT)

ITEM	IMAGE	DESCRIPTION	QTY
1		FAN BACKBOARD (P/N: FSGB-1)	1
2		LITTLE CHAMP MAIN FRAME <i>(PRE-ASSEMBLED)</i>	1
3		FOLDING RIM (P/N: LC-RIM)	1
4A & 4B		LITTLE CHAMP SUPPORT ARMS <i>(PRE-ASSEMBLED PAIRS, LEFT & RIGHT)</i>	1
5A & 5B		TOP & BOTTOM BOARD MOUNT PLATES (P/N: LC-6A16 & LC-6A15) <i>PRE-ASSEMBLED</i>	1
6		EXTENDED SUPPORT ARM KIT* (P/N: LC-AKIT) <i>NOT INCLUDED, ORDERED SEPARATELY</i>	1
7		LITTLE CHAMP HANDLE (P/N: LC-6A17) <i>(WITH HARDWARE)</i>	1
8		LITTLE CHAMP LOCKING PIN	2
ITEM	IMAGE	DESCRIPTION	QTY

*The LC-AKIT Extended Support Arm Kit (ordered separately) is designed to accommodate older style backboards whose height is greater than 42". See the Verify Support Arm Fit instruction, on page 7.

BOARD AND GOAL HARDWARE			
ITEM	IMAGE	DESCRIPTION	QTY
9		5/16" x 1-1/2" LONG CARRIAGE BOLT (P/N: HB4078)	4
10		5/16" x 2" LONG HEX HD CAP (P/N: HS282)	2
11		5/16" x 3-3/4" LONG HEX HD CAP ASSEMBLED TO HANDLE (P/N: HS5317)	2
12		5/16" FLAT WASHER (P/N: HW2049)	6
13		5/16" NYLON LOCK NUT (P/N: HN261)	6
14		5/16 ID x 1" LONG SLEEVE BEARING ASSEMBLED TO HANDLE (P/N: HM6544)	2
15		WARNING LABEL (P/N: LC-ISA) <i>USE UNDER CLOSE ADULT SUPERVISION ONLY!</i> <i>DESIGNED FOR YOUTH PLAY ONLY!</i> <i>DO NOT ALLOW DUNKING!</i>	1
16		WARNING LABEL (P/N: LC-ISB) <i>INSTALLATION AND REMOVAL SHOULD BE DONE BY TWO ADULTS!</i> <i>INSPECT UNIT BEFORE EACH USE TO MAKE SURE IT IS PROPERLY INSTALLED!</i> <i>WHEN NOT IN USE, REMOVED UNIT TO AVOID UNAUTHORIZED PLAY!</i>	1
17		HEIGHT LABELS (PRE-APPLIED)	2
ITEM	IMAGE	DESCRIPTION	QTY

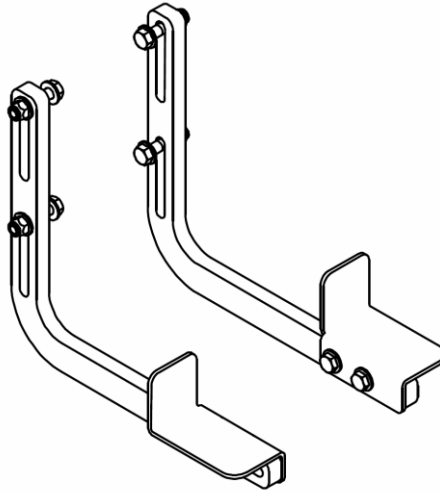
Tools Require:

- 1/2" Socket or Box Wrenches
- Level
- Tape Measure
- 8 ft to 10 ft step ladder

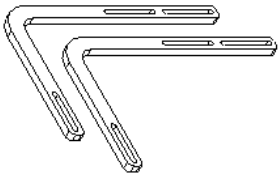
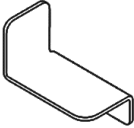
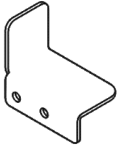


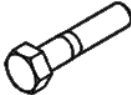

- o Unpack all parts and check against parts list to ensure that all have been included.
- o Inspect all parts for damage. Report any damages to the trucking company.

See additional parts see Maintenance on the last page.

**LITTLE CHAMP SUPPORT ARMS
(PRE-ASSEMBLED PAIRS, LEFT & RIGHT)**



ITEM 4A & 4B SEE DETAILS BEWLOW

ITEM	IMAGE	DESCRIPTION	QTY
1		SUPPORT ARMS 5.75-8 (P/N: LC-6A10)	1
2		CONTACT BRACKET A (P/N: LC-6A13)	1
3		CONTACT BRACKET B (P/N: LC-6A14)	1
4		5/16-18 NYLON LOCK NUT (P/N: HN261)	8
5		5/16-18 x 1-1/4 HEX CAP SCREW (P/N: HS281)	4
6		5/16-18 x 1-1/2 HEX CAP SCREW (P/N: HS861)	4
7		5/16" FLAT WASHER (P/N: HW2049)	16
ITEM	IMAGE	DESCRIPTION	QTY

IMPORTANT NOTICE:

The LC-6, Little Champ is designed for youth play only, specifically for children between the ages of 5 to 11 yrs old.

The LC-6, Little Champ, is not designed to be used for slam dunking. Slam dunking may result in damage to the unit, or serious injury.

CAREFULLY READ ALL INSTRUCTIONS AND WARNINGS BEFORE INSTALLING AND USING THE LITTLE CHAMP.

The Little Champ should be set-up and removed only by authorized adults who are familiar with the handling procedures contained herein.

The Little Champ should be used only under close supervision of authorized adults.

Two adults are required to safely install and remove the Little Champ. One person is required to assist in lifting the unit and then helping to guide it over the rim and into place.

The entire Little Champ unit weighs about 50 lbs. Do not attempt to install the Little Champ by yourself, or if the weight exceeds that which you can safely handle over your head.

Always employ safe lifting techniques when lifting the Little Champ into place. Although the Little Champ may be installed from the floor, the use of a step ladder is highly recommended.

The Little Champ should only be installed on a sturdy backstop and rim system. Do not install the Little Champ if the backstop system, including rim and backboard are not sound.

Do not install the Little Champ on a rim that is compromised or is not level.

When not in use, the Little Champ should be removed and stored away to prevent unauthorized use.

Before each use, thoroughly inspect the unit to ensure it is properly installed and all hardware is secured. Make sure the unit is not dislodged on the rim prior to any use.

According to the BGC (Boys and Girls Club) Youth Basketball Rules the following goal heights are recommended:

- 5-6 yrs old should play at 8 ft goal height
- 7-8 yrs old should play at 8 ft goal height
- 9-11 yrs old should play at 9 ft goal height

Table of Contents

I. Initial Set-Up:	8
II. Installing the Little Champ:.....	16
III. Adjusting Height:	17
IV. Maintenance:.....	18
Figure 1 (<i>Typical Support Arms</i>)	9
Figure 2 (<i>Goal Adjustment</i>)	10
Figure 3 (<i>Backboard Adjustment</i>)	10
Figure 4 (<i>Little Champ Plum Adjustment</i>).....	11
Figure 5 (<i>Attach frame boardmounts</i>)	12
Figure 6 (<i>Backboard Assembly</i>).....	13
Figure 7 (<i>Goal Rim Assembly</i>).....	14
Figure 8 (<i>Warning Label Placements</i>)	15
Figure 9 (<i>Install Pictures Step by Step</i>).....	16
Figure 10 (<i>How To Remove</i>).....	17
Figure 11 (<i>Complete Parts List</i>).....	

DESCRIPTION:

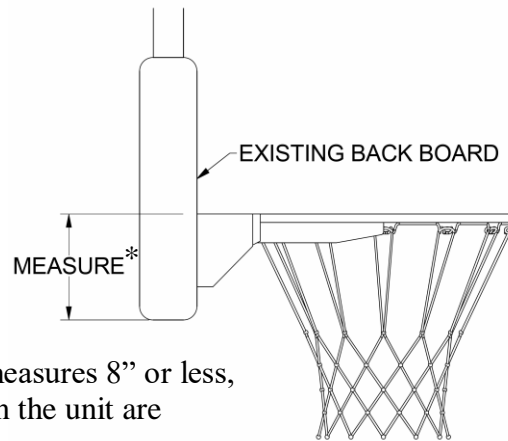
The LC-6 Little Champ is designed to attach to a standard regulation size rim whose height is at 10 ft. The LC-6 has the following design features and assembling considerations:

- The Little Champ is designed to sit over the rim and lock into place by grabbing underneath the backboard.
- Adjustable bumpers are spaced along the rim mounting frame, at the front and sides, in order to pick up the inner ring of the rim.
- The support arms that come preassembled are designed to fit on a standard 42” rectangular backboard, with or without edge padding.
- Older backboards whose height is greater than 42” may require larger support arms. The Little Champ Extended Support Arm Kit (LC-AKIT) comes with 2 sets of longer support arms to accommodate larger or older style backboards.
- Before beginning, verify that the unit will fit on the backboard you have by measuring the distance from the top of the goal to the bottom of the backboard. (*See Verify Support Arm Fit instruction, on page 6.*)
- Initial set-up requires that the mounting frame be adjusted to achieve the best fit on the rim and the type of backboard. Initial set-up is done without the Little Champ backboard and rim installed.

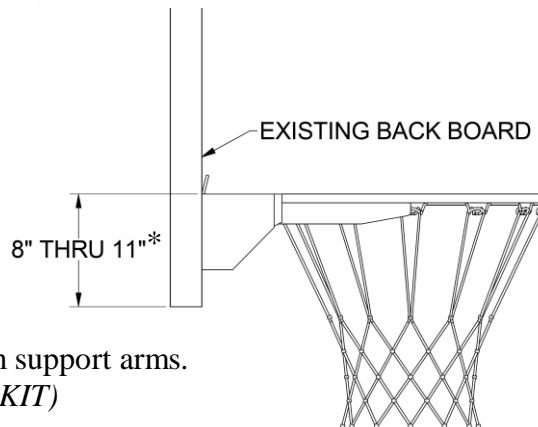
IMPORTANT: Verify Support Arm Fit

The LC-6 comes preassembled with support arms that fit a standard 42" backboard, with or without edge padding. Larger or older style backboards may require larger support arms. The distance from the top of the goal to the bottom of the backboard needs to be measured to confirm that unit will fit.

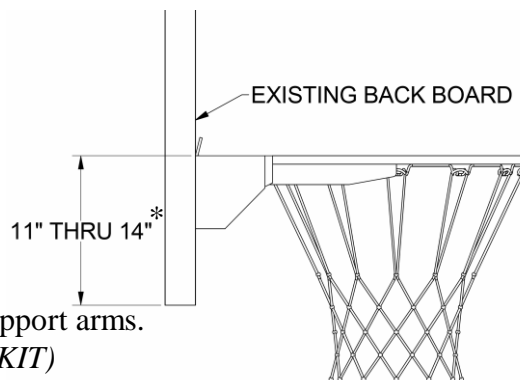
- Measure the distance from the top of goal to bottom of existing backboard, including edge padding if installed.
- If this dimension exceeds 8", the Extended Support Arm Kit, P/N: LC-AKIT is required.



*If this dimension measures 8" or less, the arms provided on the unit are correct.



*Requires medium support arms.
(Included in LC-AKIT)



*Requires large support arms.
(Included in LC-AKIT)

I. Initial Set-Up:

Note: Initial setup is done using only the Little Champ frame without the backboard and rim installed.

- 1) Remove the Little Champ frame from the box. Check that all components and hardware are present. Assemble the rear arms to frame (see Figure 1).
- 2) Set the Little Champ frame on the rim and adjust the bumpers, along the front bracket and side rail (without Little Champ backboard or rim installed). As rims may vary slightly in dimension and degree of out-of-roundness, the first step is to adjust the bumpers so the frame is snug within the rim (see Figure 2).

Note: If the rim is badly out of level it should first be replaced or leveled (insert one or two washers between the mounting plate and backboard, on the lower two mounting bolts only).

- 3) Adjust the height and depth of the arms so they grab beneath the backboard, while keeping the front of the frame essentially plumb (see Figure 3). *If necessary, replace the support arms with the larger ones, to accommodate backboards other than 42" (see Figure 1).*
- 4) Using a level, adjust the front frame to make it plumb (see Figure 4). Secure all hardware.
- 5) Carefully remove the frame, by tilting and lifting it off the rim and away from the backboard.
- 6) Practice installing and removing the frame to get a feel for the action of lifting it over the rim and engaging the backboard.
- 7) Install the backboard mounting brackets onto the front frame (see Figure 5).
- 8) Install the backboard onto the front frame (see Figure 6).
- 9) Install the rim and handle (see Figure 7).
- 10) Apply important warning labels as shown in Figure 8.
- 11) Install the completed unit on the rim and adjust the degree of plumb, if needed. If the unit cannot be plumbed the rim may be too far out of level.

Note: Two adults are required to safely install the Little Champ (see Figure 9).

- 12) Check that the Little Champ is soundly seated on the rim and the two support arms are locked beneath the board.

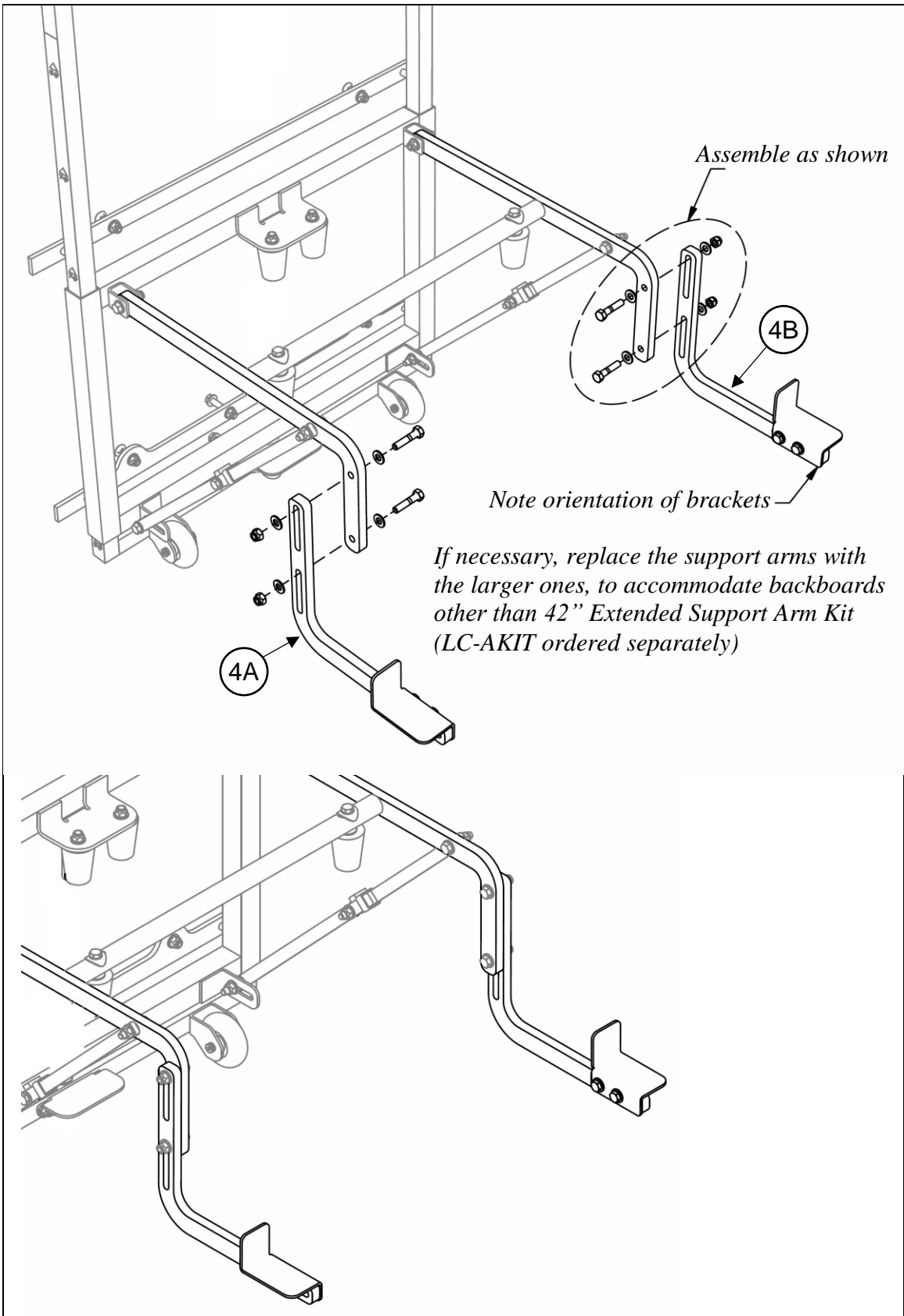


Figure 1 (Typical Support Arms)

Warning: Do not over tighten curve washer hardware will deform.

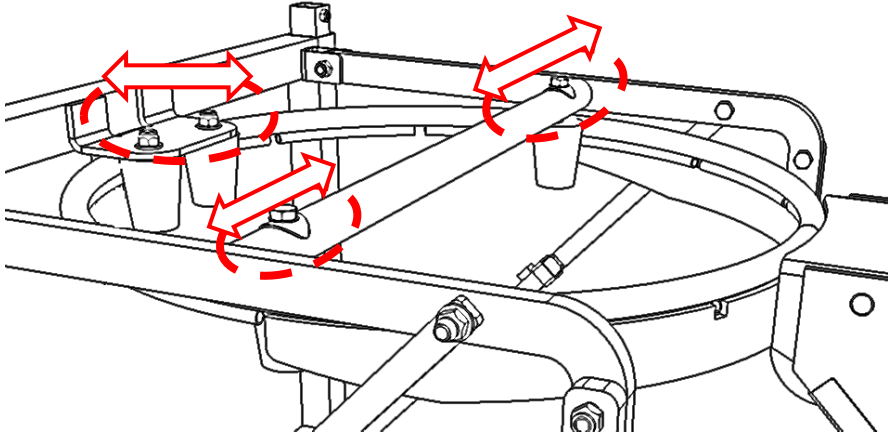


Figure 2 (Goal Adjustment)

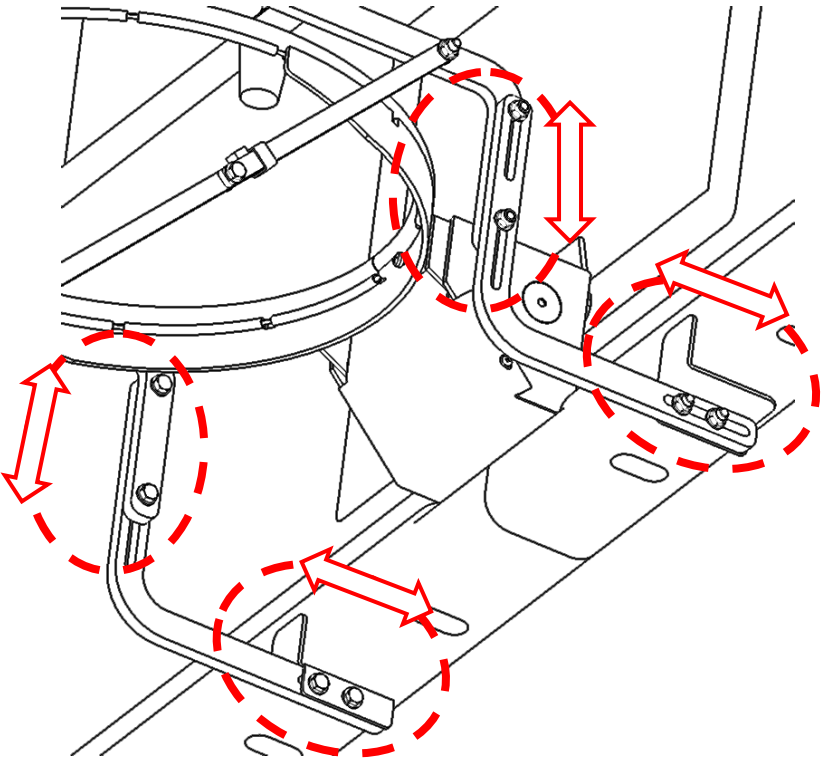


Figure 3 (Backboard Adjustment)

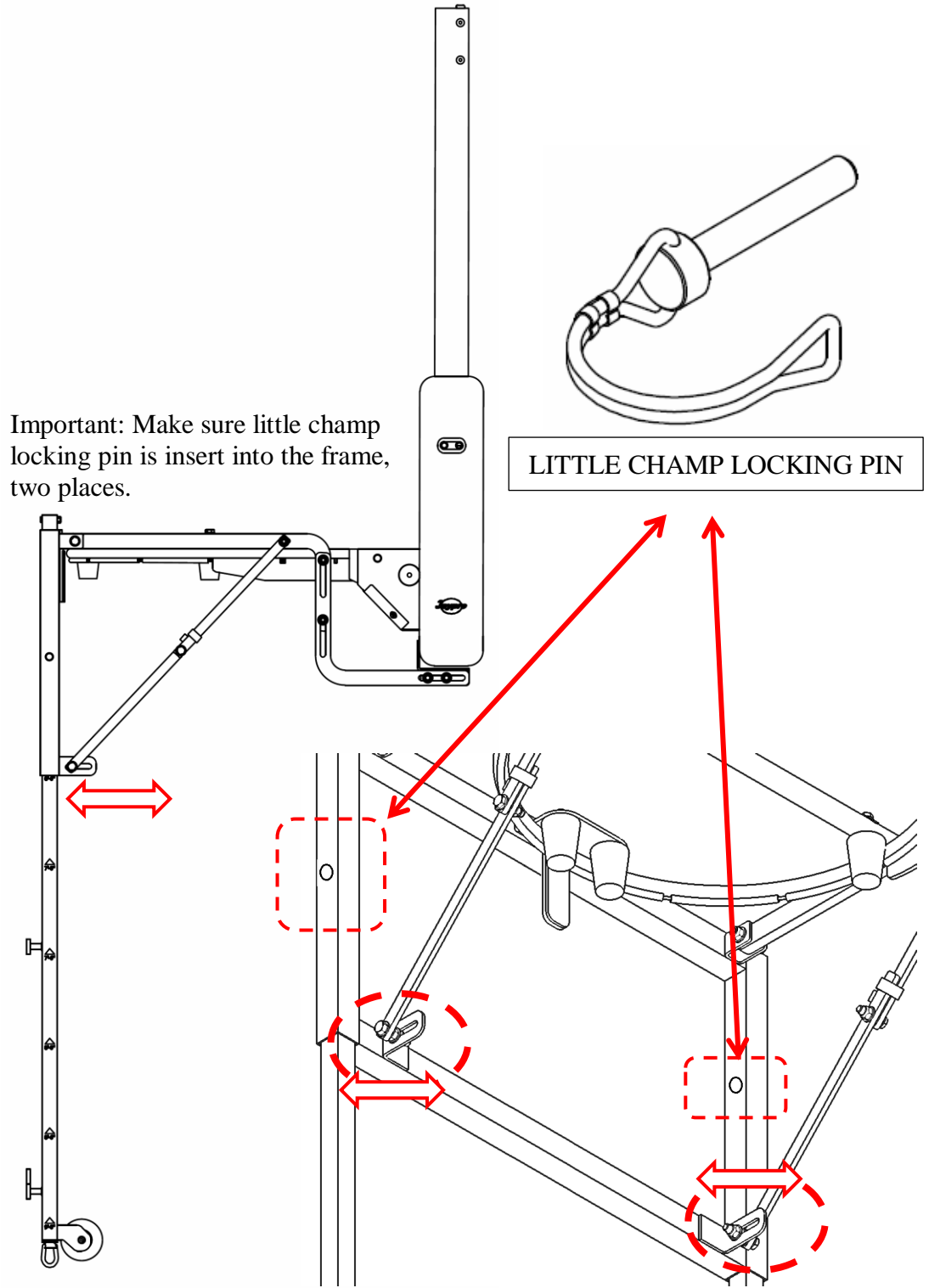


Figure 4 (*Little Champ Plum Adjustment*)

PARTS LIST FOR BOARD ASSEMBLY	
ITEM	DESCRIPTION
2	LITTLE CHAMP REAR FRAME
5A	TOP BOARD MOUNT PLATE
5B	BOTTOM BOARD MOUNT PLATE
13	5/16" x 1-1/2" FLAT MACHINE SCREW
17	5/16 ID x 3/4" LONG SLEEVE BEARING

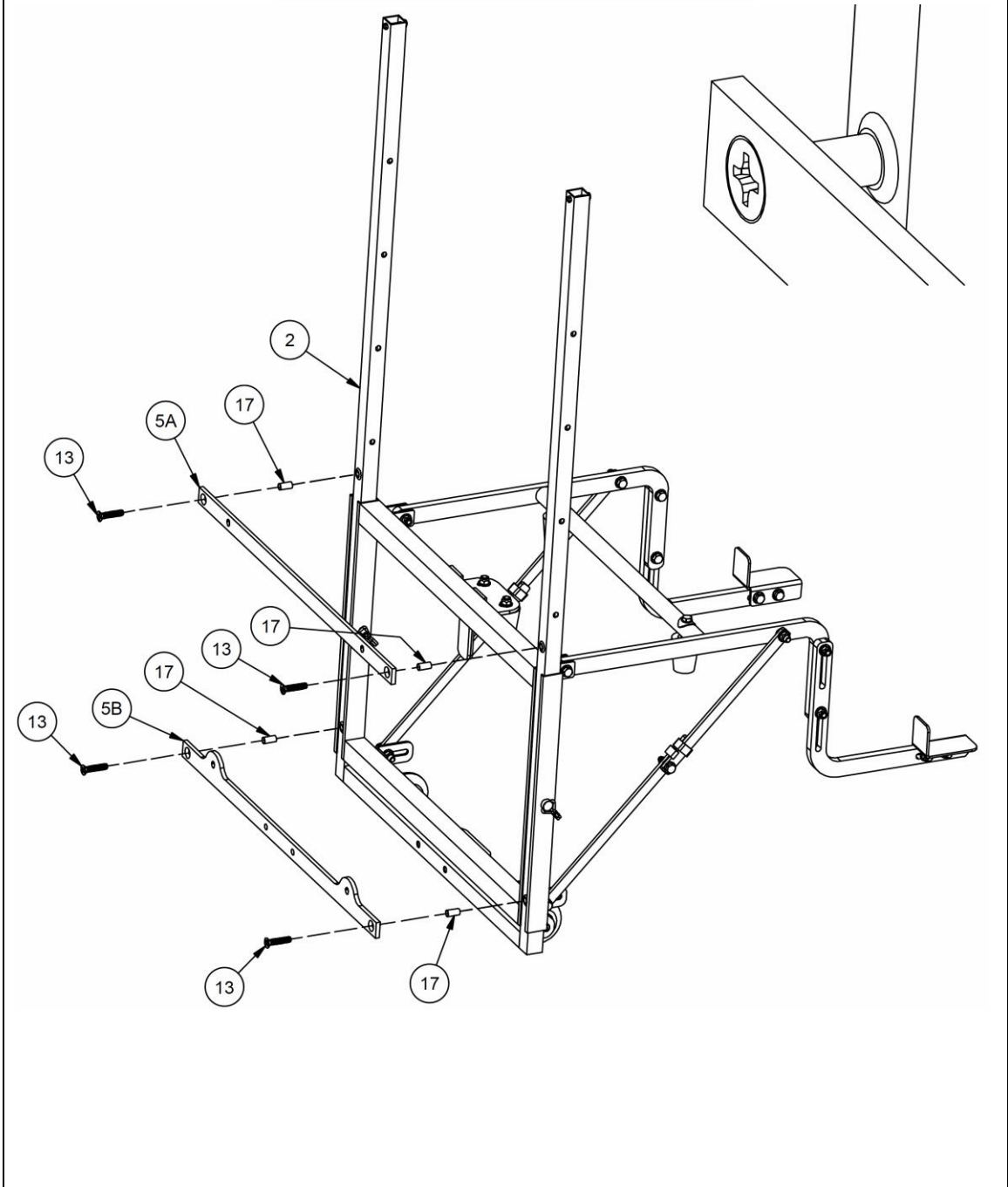


Figure 5 (Attach frame boardmounts)

PARTS LIST FOR BOARD ASSEMBLY	
ITEM	DESCRIPTION
1	FAN BACKBOARD
10	5/16" x 1-1/2" LONG CARRIAGE BOLT
14	5/16" FLAT WASHER
15	5/16" NYLON LOCK NUT

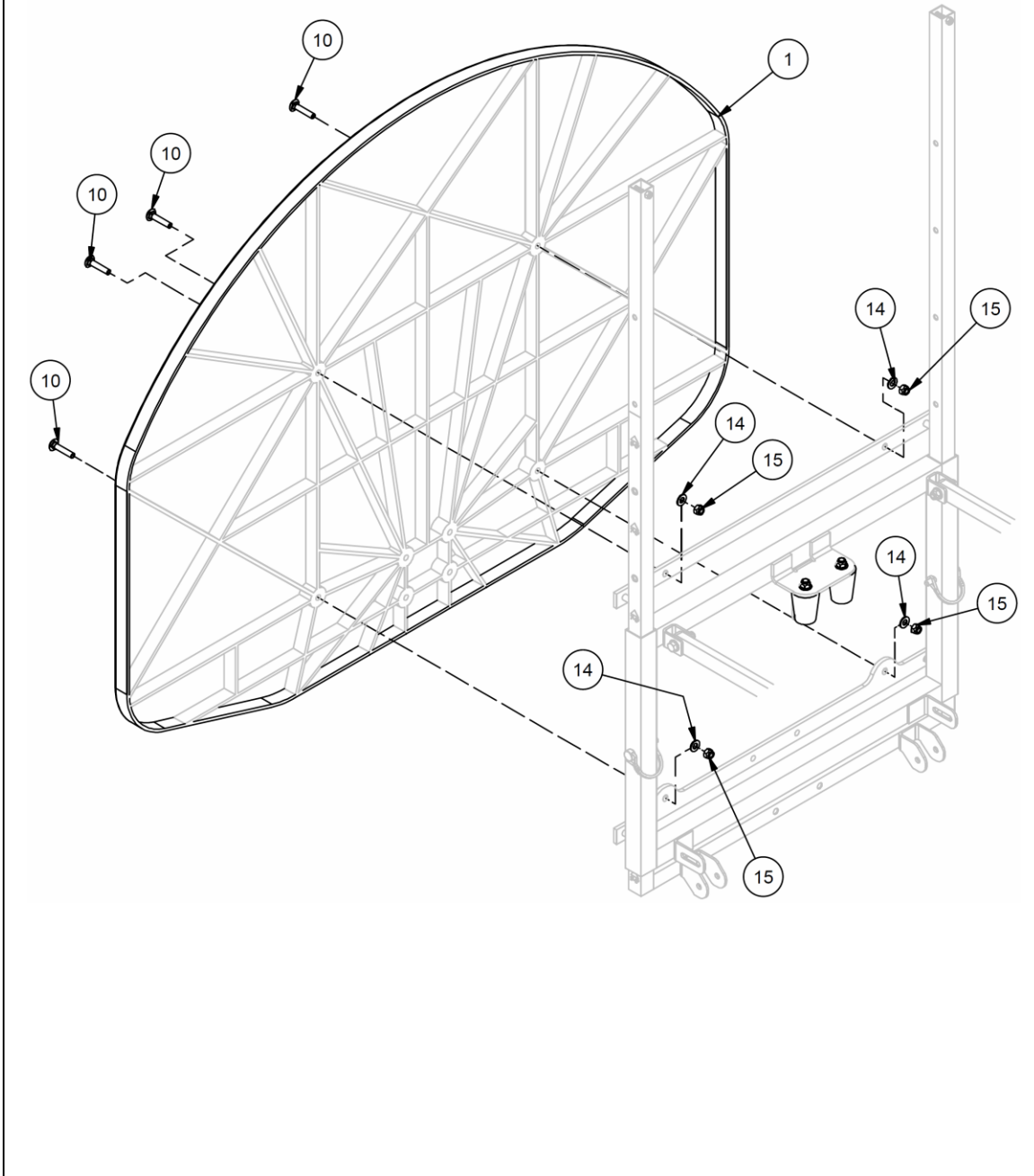


Figure 6 (Backboard Assembly)

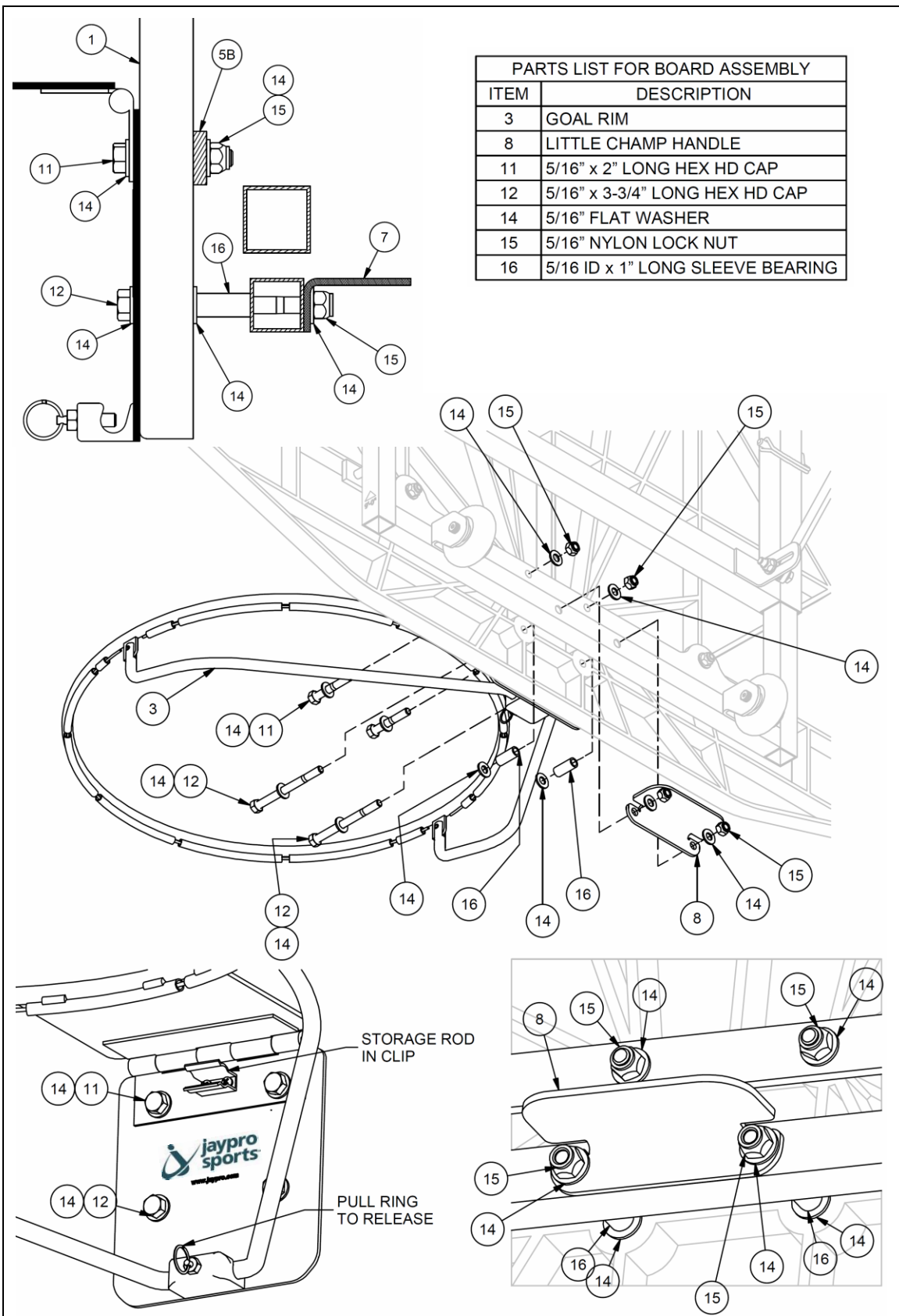


Figure 7 (Goal Rim Assembly)

PLACE WARNING LABELS AS SHOWN BELOW.

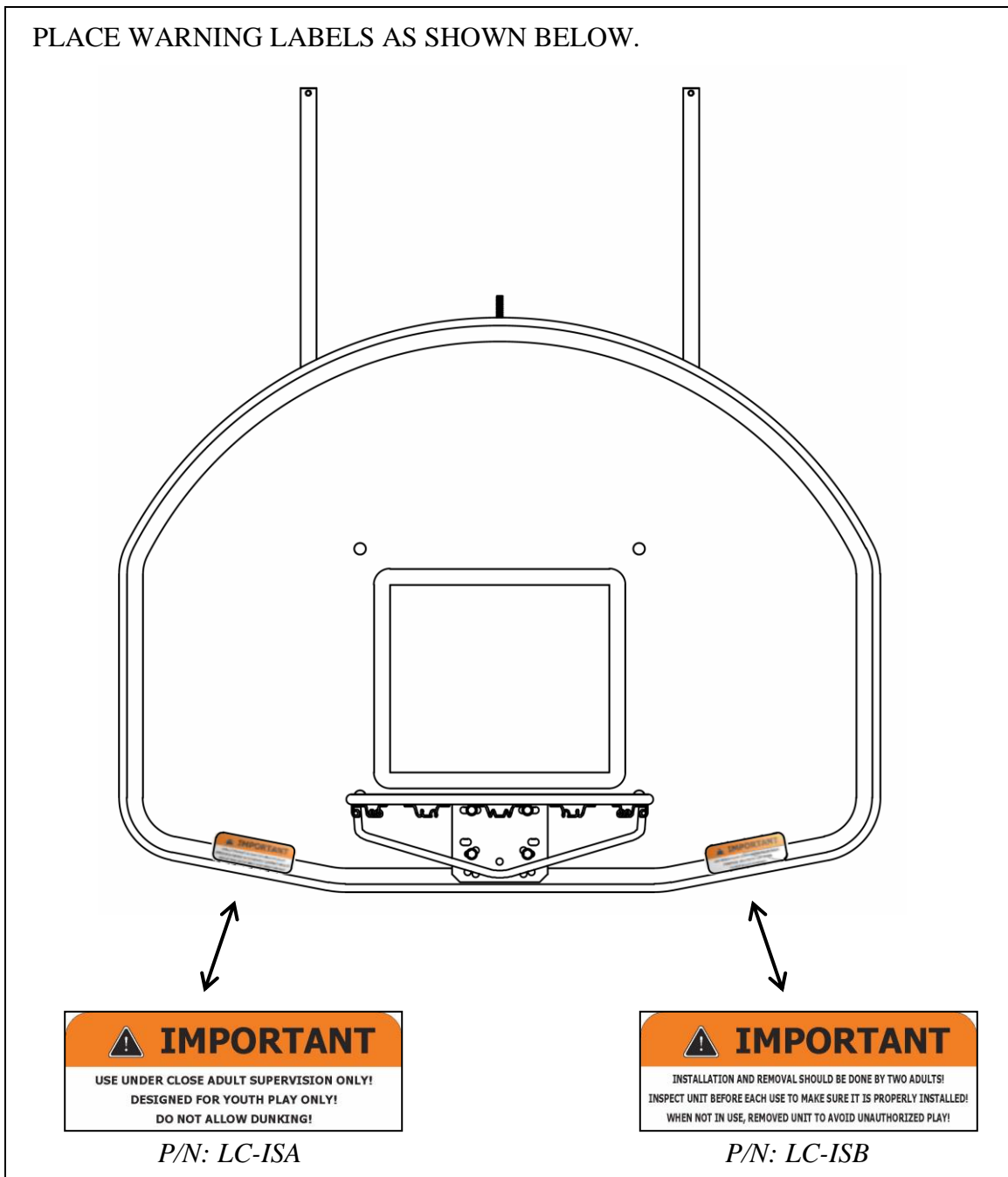


Figure 8 (Warning Label Placements)

II. Installing the Little Champ:

1. Open the support arms and lock the braces in place.

Note: Although possible to install the Little Champ from the floor without a ladder, use of a step ladder is highly recommended. If not using a step ladder, extend the backboard of the Little Champ to its lowest position.

2. With the assistance of a second adult lift the Little Champ onto the rim using a tilting action to engage the support arms beneath the backboard.
3. Lock the unit in place by lightly pulling down on the Little Champ board and rim.
4. Check that the Little Champ is properly installed, by ensuring that the bumpers and support arms are properly engaged.



Figure 9 (Install Pictures Step by Step)

III. Adjusting Height:

1. Get a step ladder and bring the unit down before taking the pin out. **DO NOT** adjust height when unit is attach to the rim, **UNIT WILL FREE FALL DOWN**. Recommend two people when adjusting height, see image below .
2. Adjust to the desired height as displayed on the side height label. And reattach unit back on rim.

IV. Removal and Storage:

Note: Removing the Little Champ should only be done by two adults.

1. Using a lift and tilt action, lift the Little Champ off the rim and carefully lower it to the ground.

Storage:

1. Raise board to the highest position.
2. Fold support arms down and lock in place.
3. Fold rim to stored position.
4. Wheel Little Champ into storage area

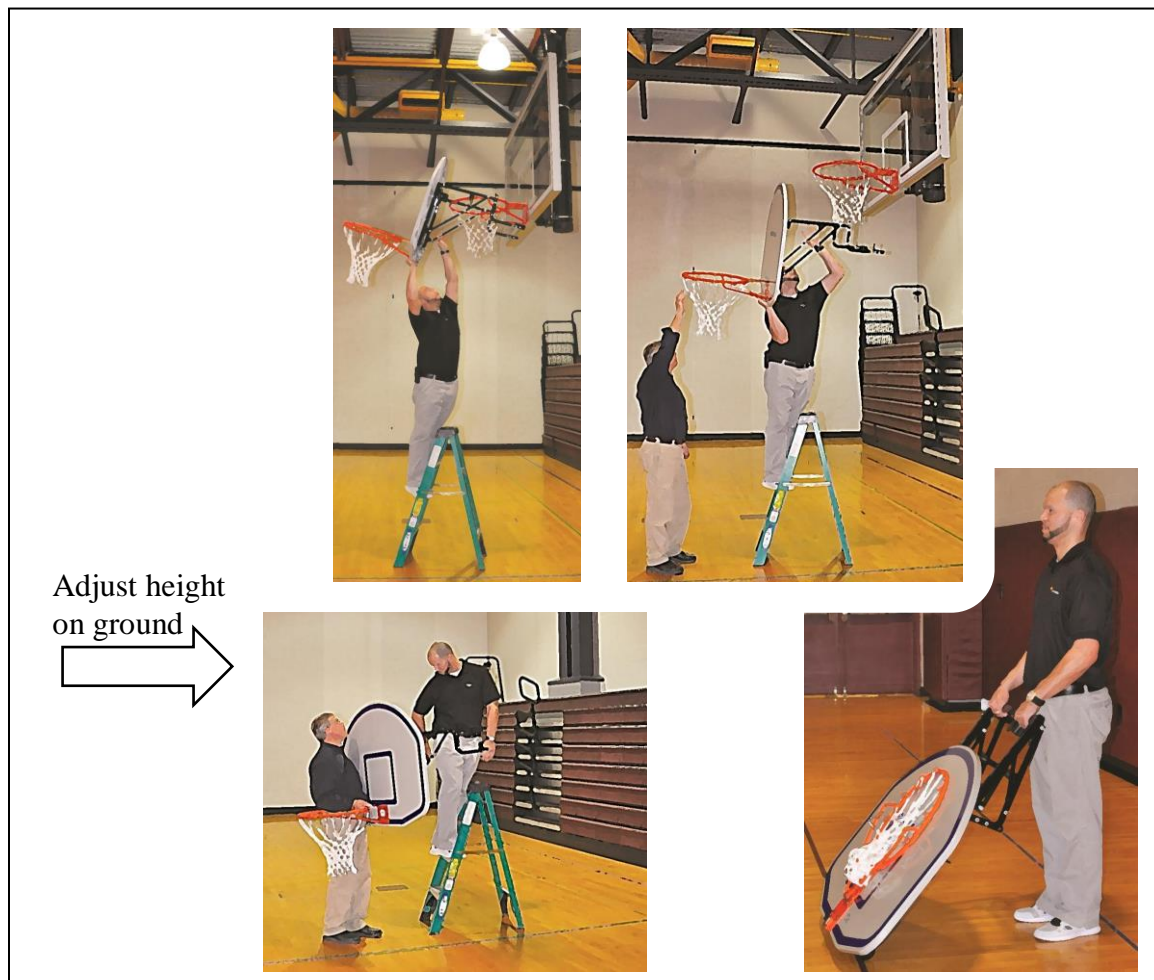


Figure 10 (How To Remove)

IV. Maintenance:

- Before each use, check that all hardware is secured. Inspect the frame for damage or wear.

Note: Do not use the Little Champ if you suspect the frame or components have been compromised. Contact Jaypro Sports at 800-243-0533 for replacement parts.

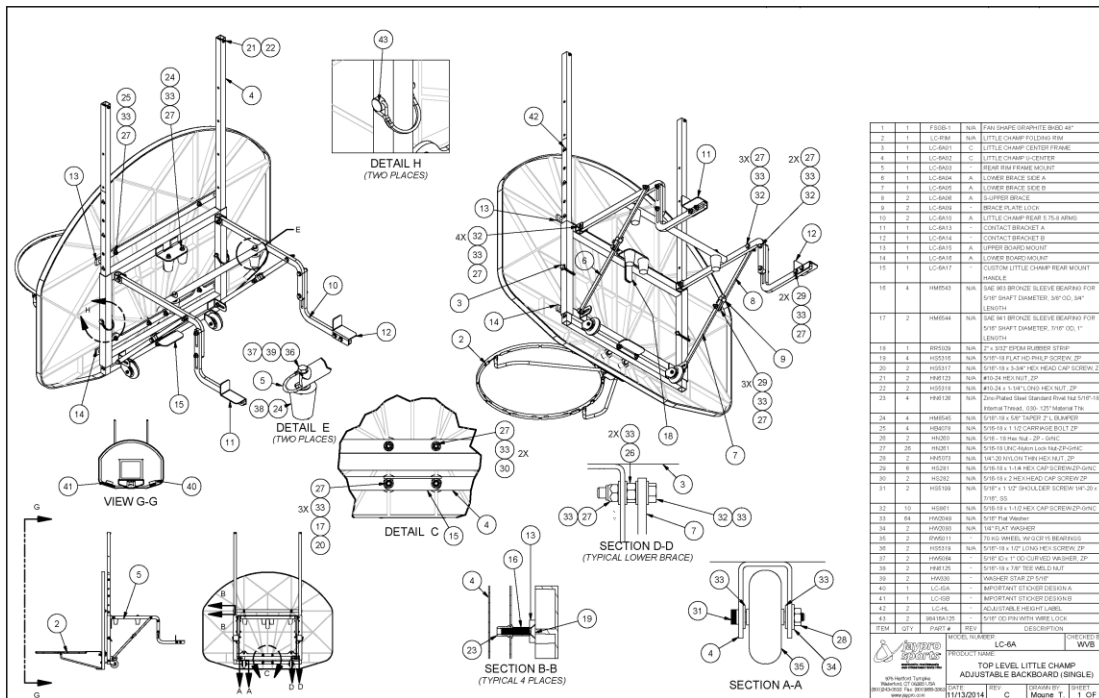
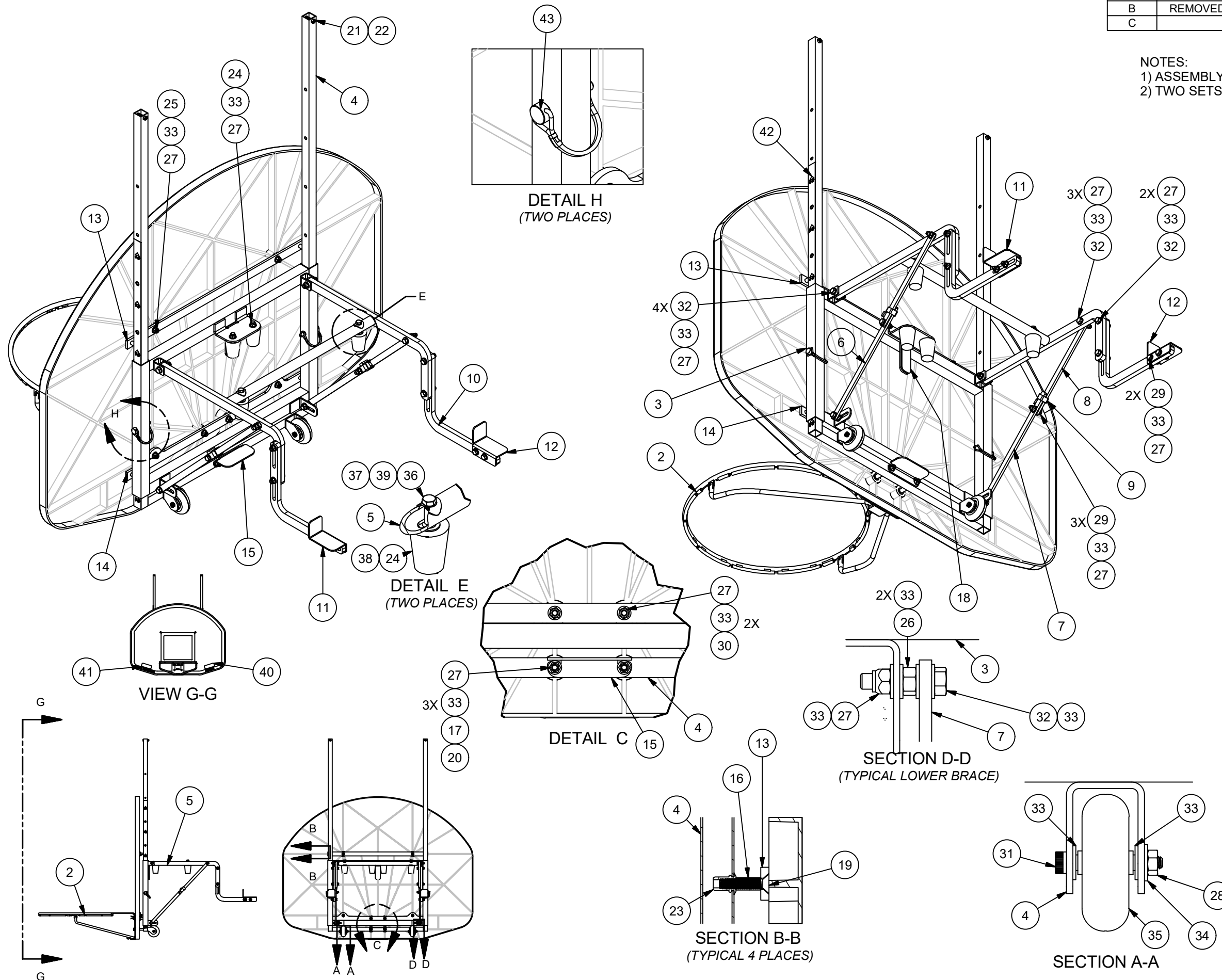



Figure 11 (Complete Parts List)
See next page for Larger Image

REV	DESCRIPTION	DATE	BY
A	LC-6A01-9 / MATERIAL GRADE	3/25/2015	Moune T.
B	REMOVED EXTRA SUPPORT ARMS LC-6A11/12	10/27/2015	Moune T.
C	PIN STOP	10/24/2017	Moune T.

NOTES:
 1) ASSEMBLY REAR ARMS PER PDF "LC-6A (Assembly Instructions)"
 2) TWO SETS OF ARMS ARE OPTIONAL (LC-6A11/12), NOT SHOWN.



1	1	FSGB-1	N/A	FAN SHAPE GRAPHITE BKBD 48"
2	1	LC-RIM	N/A	LITTLE CHAMP FOLDING RIM
3	1	LC-6A18	-	LITTLE CHAMP CENTER FRAME
4	1	LC-6A19	-	LITTLE CHAMP U-CENTER
5	1	LC-6A03	-	REAR RIM FRAME MOUNT
6	1	LC-6A04	A	LOWER BRACE SIDE A
7	1	LC-6A05	A	LOWER BRACE SIDE B
8	2	LC-6A06	A	S-UPPER BRACE
9	2	LC-6A09	-	BRACE PLATE LOCK
10	2	LC-6A10	A	LITTLE CHAMP REAR 5.75-8 ARMS
11	1	LC-6A13	-	CONTACT BRACKET A
12	1	LC-6A14	-	CONTACT BRACKET B
13	1	LC-6A15	A	UPPER BOARD MOUNT
14	1	LC-6A16	A	LOWER BOARD MOUNT
15	1	LC-6A17	-	CUSTOM LITTLE CHAMP REAR MOUNT HANDLE
16	4	HM6543	N/A	SAE 863 BRONZE SLEEVE BEARING FOR 5/16" SHAFT DIAMETER, 3/8" OD, 3/4" LENGTH
17	2	HM6544	N/A	SAE 841 BRONZE SLEEVE BEARING FOR 5/16" SHAFT DIAMETER, 7/16" OD, 1" LENGTH
18	1	RR5029	N/A	2" x 3/32" EPDM RUBBER STRIP
19	4	HS5316	N/A	5/16"-18 FLAT HD PHILP SCREW, ZP
20	2	HS5317	N/A	5/16"-18 x 3-3/4" HEX HEAD CAP SCREW, ZP
21	2	HN6123	N/A	#10-24 HEX NUT, ZP
22	2	HS5318	N/A	#10-24 x 1-1/4" LONG HEX NUT, ZP
23	4	HN6126	N/A	Zinc-Plated Steel Standard Rivet Nut 5/16"-18 Internal Thread, .030-.125" Material Thk
24	4	HM6545	N/A	5/16"-18 x 5/8" TAPER 2" L BUMPER
25	4	HB4078	N/A	5/16-18 x 1 1/2 CARRIAGE BOLT ZP
26	2	HN260	N/A	5/16 - 18 Hex Nut - ZP - GrNC
27	26	HN261	N/A	5/16-18 UNC-Nylon Lock Nut-ZP-GrNC
28	2	HN5073	N/A	1/4"-20 NYLON THIN HEX NUT, ZP
29	6	HS281	N/A	5/16-18 x 1-1/4 HEX CAP SCREW-ZP-GrNC
30	2	HS282	N/A	5/16-18 x 2 HEX HEAD CAP SCREW ZP
31	2	HS5199	N/A	5/16" x 1 1/2" SHOULDER SCREW 1/4"-20 x 7/16", SS
32	10	HS861	N/A	5/16-18 x 1-1/2 HEX CAP SCREW-ZP-GrNC
33	64	HW2049	N/A	5/16" Flat Washer
34	2	HW2093	N/A	1/4" FLAT WASHER
35	2	RW5011	-	70 KG WHEEL W/ GCR15 BEARINGS
36	2	HS5319	N/A	5/16"-18 x 1/2" LONG HEX SCREW, ZP
37	2	HW5064	-	5/16" ID x 1" OD CURVED WASHER, ZP
38	2	HN6125	-	5/16"-18 x 7/8" TEE WELD NUT
39	2	HW330	-	WASHER STAR ZP 5/16"
40	1	LC-ISA	-	IMPORTANT STICKER DESIGN A
41	1	LC-ISB	-	IMPORTANT STICKER DESIGN B
42	2	LC-HL	-	ADJUSTABLE HEIGHT LABEL
43	2	HM6625	-	5/16" OD PIN WITH WIRE LOCK

 976 Hartford Turnpike Waterford, CT 06385 USA (800)243-0533 Fax: (800)988-3363 www.jaypro.com	MODEL NUMBER: LC-6A	CHECKED BY: WVB
	PRODUCT NAME: TOP LEVEL LITTLE CHAMP ADJUSTABLE BACKBOARD (SINGLE)	
DATE: 11/13/2014	REV: C	DRAWN BY: Moune T.
		SHEET: 1 OF 1