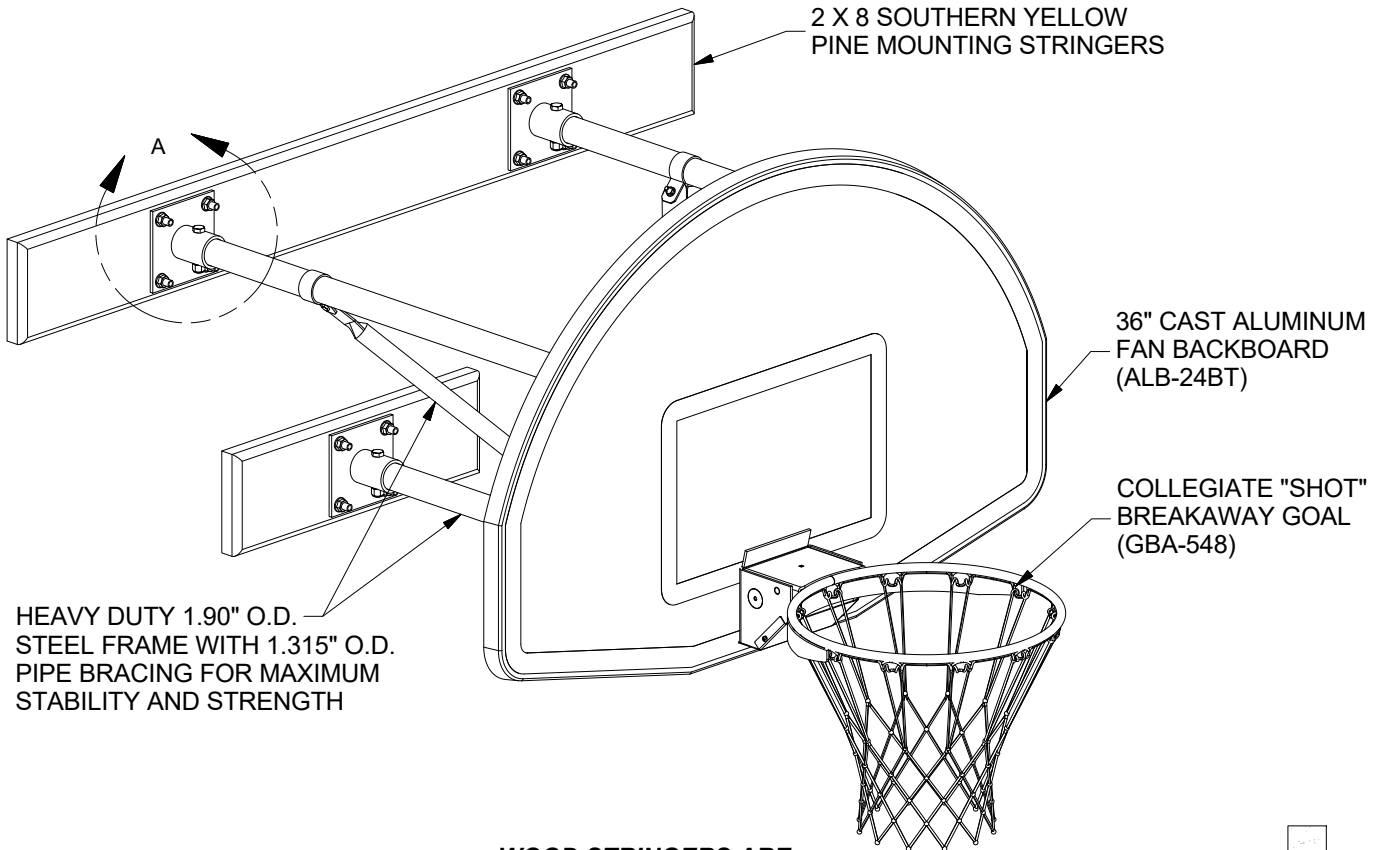




# 3-POINT STATIONARY FAN BOARD SHOOTING STATION



HEAVY DUTY 1.90" O.D. STEEL FRAME WITH 1.315" O.D. PIPE BRACING FOR MAXIMUM STABILITY AND STRENGTH

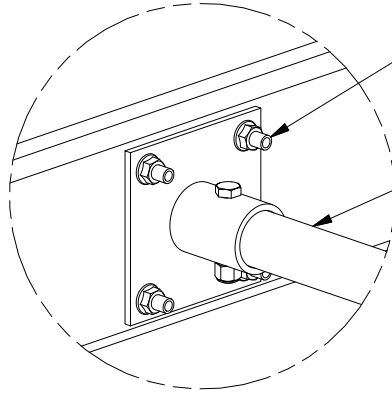
2 X 8 SOUTHERN YELLOW PINE MOUNTING STRINGERS

36" CAST ALUMINUM FAN BACKBOARD (ALB-24BT)

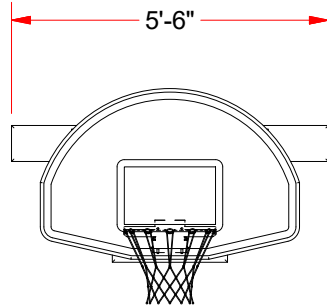
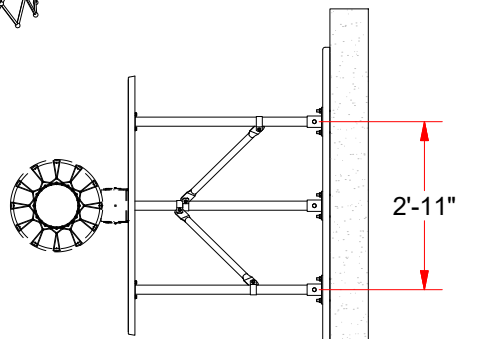
COLLEGIATE "SHOT" BREAKAWAY GOAL (GBA-548)

**WOOD STRINGERS ARE SUPPLIED PRE-DRILLED AND COUNTERBORED FOR EASY ASSEMBLY**

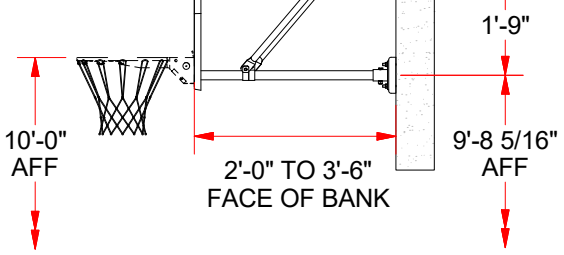
ALL FITTINGS AND FRAME SUPPLIED WITH A DURABLE BLACK POWDER COAT FINISH



DETAIL A



EXISTING STRUCTURAL WALL (CMU BLOCK WALL RECOMMENDED)



PROJECT NAME \_\_\_\_\_

PROJECT NUMBER \_\_\_\_\_

ARCHITECT \_\_\_\_\_

CONTRACTOR \_\_\_\_\_

NOTES \_\_\_\_\_



## N236FB

3-POINT FAN BOARD WALL MOUNTED SHOOTING STATION, 2'-0" TO 3'-6" FOB

© COPYRIGHT 2017 JAYPRO SPORTS, LLC. ALL RIGHTS RESERVED THIS PRINT IS THE PROPERTY OF JAYPRO SPORTS, LLC. AND MAY NOT BE REPRODUCED WITHOUT WRITTEN PERMISSION

www.jaypro.com  
(800) 243-0533  
976 Hartford Turnpike  
Waterford, CT 06385 USA



# 3-POINT STATIONARY FAN BOARD SHOOTING STATION

## SPECIFICATION SHEET

Jaypro Model N236FB, 3-point stationary fan board shooting station shall be a wall mounted and wall braced unit extended 2'-0" to 3'-6" from the supporting wall. System is designed to consist of three (3) pipe extension frames and internal bracing. System comes complete with 36" aluminum fan board (ALB-24BT), collegiate "shot" breakaway goal (GBA-548), frame, fittings, hardware, and wood stringers.

Pipe extensions frames shall consist of 1.90" O.D. high strength galvanized pipe. Frame shall attach to both the wall and board with heavy duty fabricated steel brackets. Frame pipes are to be cut in the field to achieve the desired extension off the wall between 2'-0" to 3'-6". Internal vertical and lateral bracing shall be 1.315" O.D. pipe for maximum stability and rigidity easily clamped to the frame structure.

Frame structure shall attach to the wall using 2" x 8" southern yellow pine wood stringers. Stringers shall be supplied with routed edges and finished with two (2) coats of clear lacquer. Wood stringers are supplied pre-drilled and counterbored holes to assemble the brackets for quick and easy assembly. **Systems that are not supplied with holes pre-drilled and counterbored shall not be approved as equals.**

Goal shall be mounted directly through the backboard into heavy-duty structural steel fittings to eliminate any strain on the bank should a player hang on the front of the mounted shooting station.

Due to close proximity to the wall, it is highly recommended to pad the wall behind the unit for player safety.

All structure and fittings shall be supplied with a durable black powder coat finish. All components are packaged for protection during shipment. All wall mounted anchors shall be specified and supplied by others.

System shall weigh 280 pounds.

### WARRANTY

Jaypro N236FB shooting station structure comes with a 25 Year Limited Warranty. Limited Lifetime Warranty on all Jaypro backboards when used in conjunction with the N236FB shooting station. Other components may be covered under their own extended warranty.



## N236FB

[www.jaypro.com](http://www.jaypro.com) / (800) 243-0533 / 976 Hartford Tpke, Waterford, CT 06385 USA  
SUBJECT TO CHANGES IN DESIGN AND MANUFACTURING  
© COPYRIGHT 2017 JAYPRO SPORTS, LLC. ALL RIGHTS RESERVED  
Sheet 2 of 2