



OBV100

MERCURY ALUMINUM BEACH VOLLEYBALL SYSTEM



jaypro sports
INNOVATION, PERFORMANCE AND COMMITMENT SINCE 1953

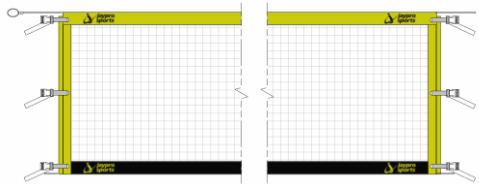
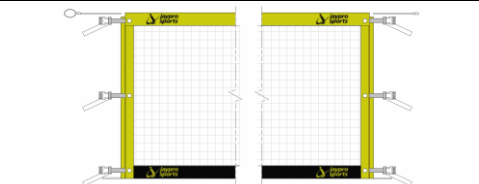
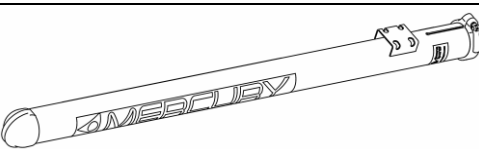
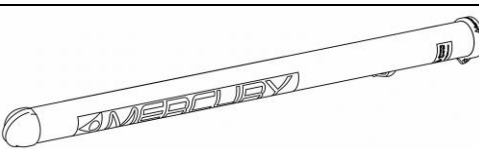
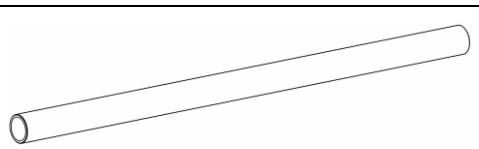
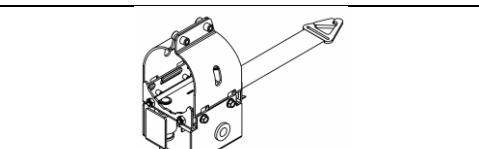
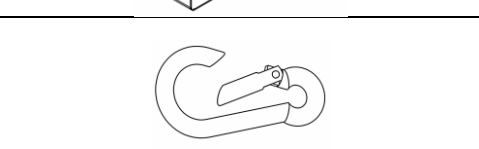
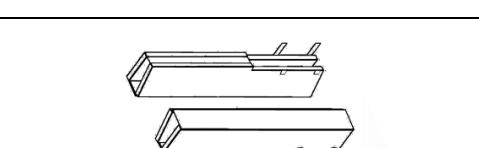
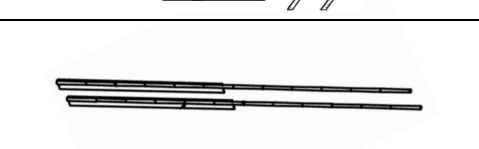
Installation and Maintenance Manual

Call Jaypro Sports at 1-800-243-0533 during regular business hours for technical support.

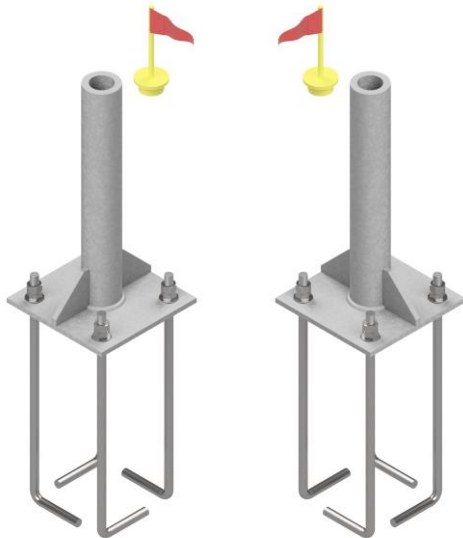
www.jaypro.com

OBV100

PARTS LIST (QTY: SINGLE UNIT)

IMAGE	DESCRIPTION	QTY
	(1) RECREATIONAL BEACH VBALL NET 32'-0" L x 39" H (P/N: OBVN-2)	-
	(2) OFFICIAL COMPETITION BEACH VBALL NET 27'-10" L x 39" H (P/N: OBVN-1)	-
	(3) UPPER POLE – WINCH END (P/N: OBV-UPWE)	1
	(4) UPPER POLE – ANCHOR END (P/N: OBV-UPAE)	1
	(5) LOWER POLE (P/N: OBV100-B)	2
	(6) VOLLEYBALL WINCH w/ STRAP (P/N: PVBWINCH)	1
	(7) 1/4" x 2-3/8" SNAP HOOK (P/N: HM5013)	2
	(8) STANDARD PADS (PAIR) (P/N: PVB-60P)	1
	(9) ANTENNAE (PAIR) (P/N: VBA-4)	1
IMAGE	DESCRIPTION	QTY

(10) GROUND ANCHOR KITS



OBV-100AK
Insert Anchors



OBV-100G
Ground Sleeves

Anchor Kits:

Jaypro offers two types of anchor kits. One is an insert design (OBV-100AK) and the other a standard ground sleeve (OBV-100G). The introduction of sand in any type of anchor can result in making upright removal very difficult.

Model OBV-100AK – Insert Anchor

- ✓ An inverted design that elements the potential of sand and water contamination that can make removal difficult.
- ✓ Anchor is completely removable.
- ✓ Provided with a cap and identifying flag to safely identify its location beneath the sand.

Model OBV-100G – Standard Ground Sleeve

- ✓ Standard ground sleeve with stop bolt and cap. Allows for easy installation and removal of uprights. Care must be taken to ensure sand does not become packed within the sleeve.

Upright Installation and Removal: (If using OBV-100AK Insert Anchor)

To install the poles, totally clean away all sand from around the anchor. Wipe down the anchor stem and apply a light coating of anti-seize lubricant or grease. After pole is installed backfill the area with sand.

To remove the pole, total dig away the sand surrounding the base. Slide the pole off the anchor stem. Cap-off the anchor stem with the cap and flag provided.

(11) REFEREE STAND
(P/N: OBVRS-8) – OPTIONAL



FEATURES:

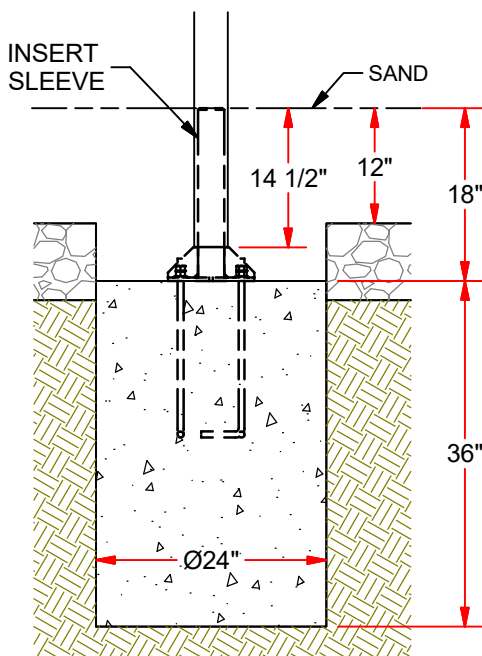
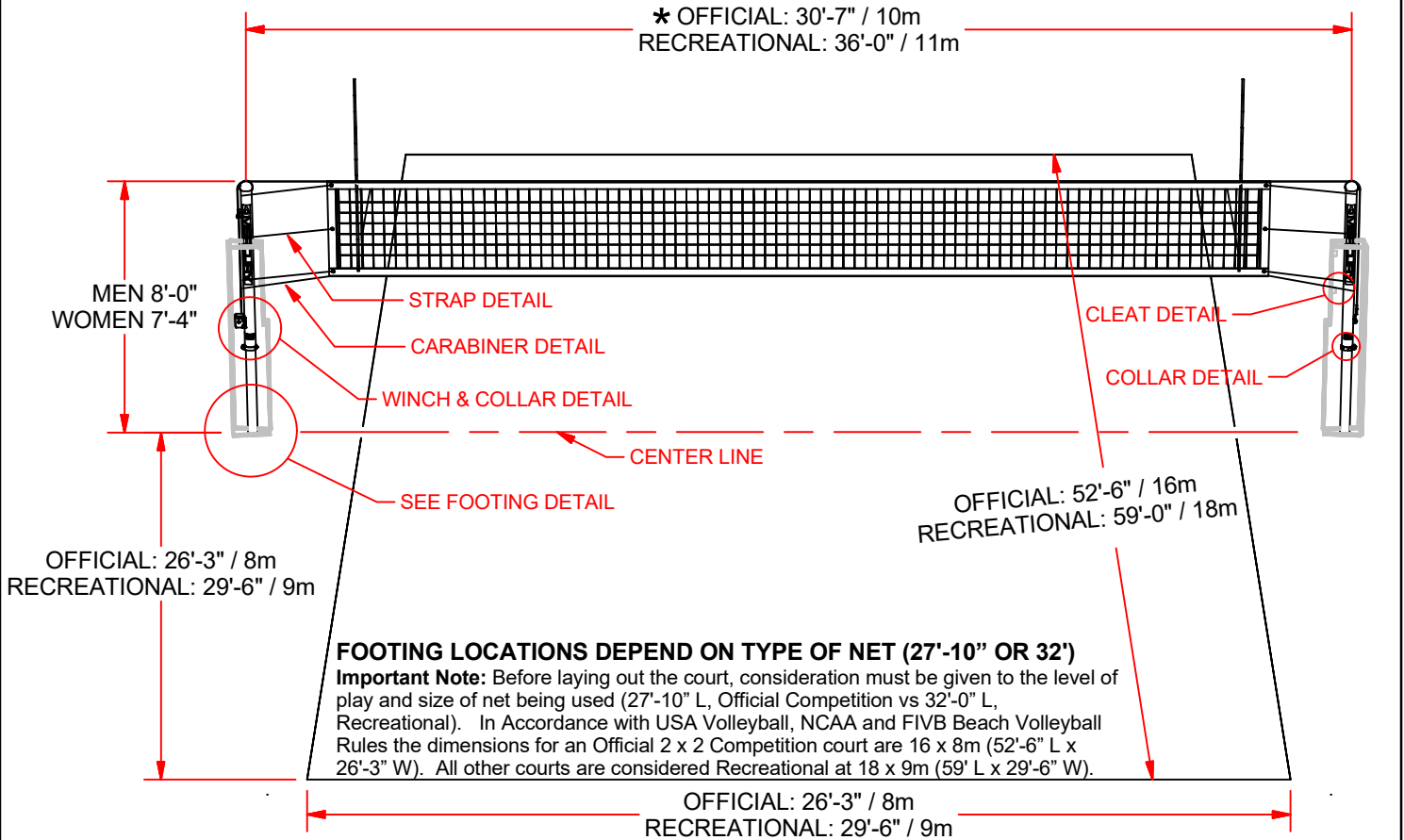
- > Easily transports over sand with two heavy duty 10" dia x 3 1/2" wide molded wheels.
- > Front base plate prevents stand from sinking into sand.
- > Constructed of 1-5/8" heavy wall steel.
- > Textured silver durable powder coated finish.
- > All welded frame support with non-slip foot treads.
- > Folds to 84" h x 30" w x 10" d for compact storage.
- > Padded platform is 48" above floor.
- > Max user weight: 260 lbs.

Options:

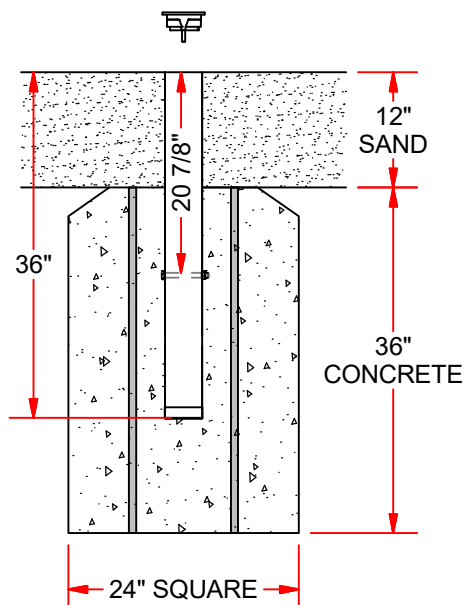
- > Referee stand edge padding (VRS-60P)
- > Custom side banners (CVNT-3)



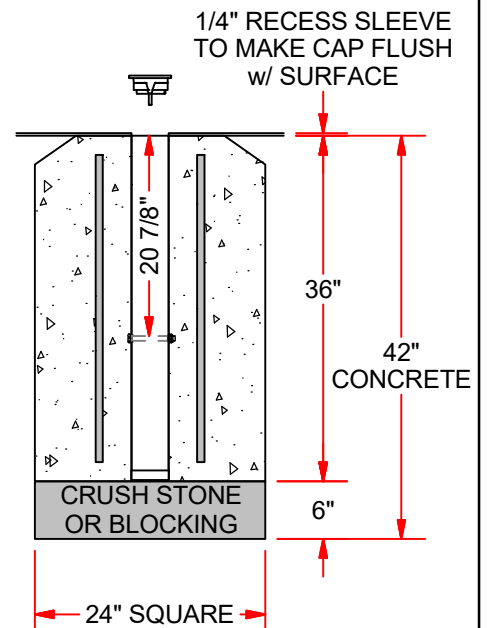
OBV100 - INSTALLATION AND MAINTENANCE MANUAL



FOOTING DETAIL
(OPTIONAL ANCHOR KIT PN: OBV-100AK)



FOOTING DETAIL
OR, EXISTING SLEEVE FOR 3-1/2" OD POLE
(OPTIONAL GROUND SLEEVE P/N: OBV-100G)



FOOTING DETAIL
FOR GRASS, CLAY OR ASPHALT
(OPTIONAL GROUND SLEEVE P/N: OBV-100G)



* FOR THE MOST VERSATILE FACILITY, ITS RECOMMENDED TO INSTALL POLES 36'-0" FROM EACH OTHER TO ALLOW FOR BOTH COMPETITION AND RECREATIONAL PLAY.

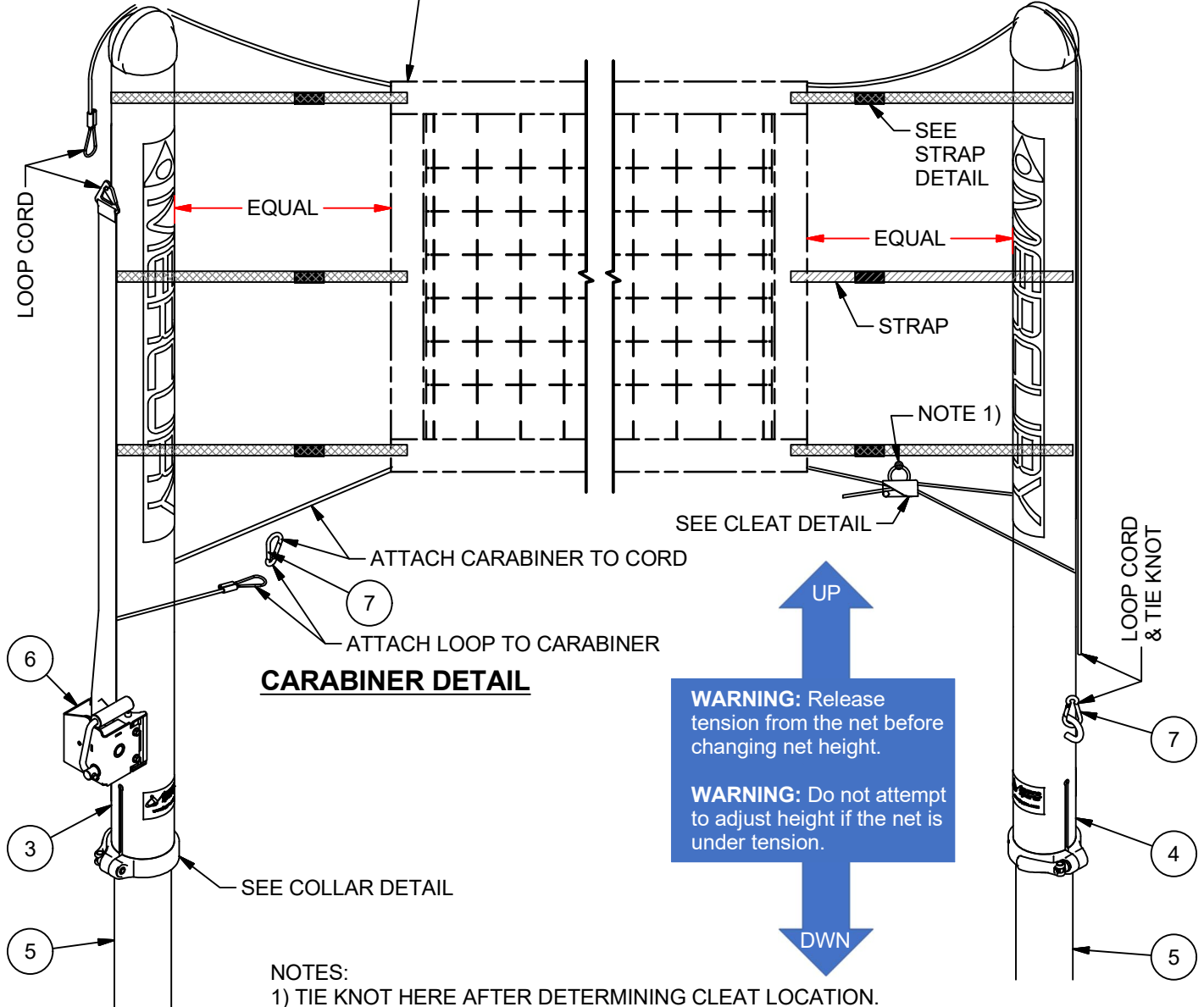
www.jaypro.com / (800) 243-0533 / 976 Hartford Tpke, Waterford, CT 06385 USA
SUBJECT TO CHANGES IN DESIGN AND MANUFACTURING
© COPYRIGHT JAYPRO SPORTS, LLC. ALL RIGHTS RESERVED

OBV100

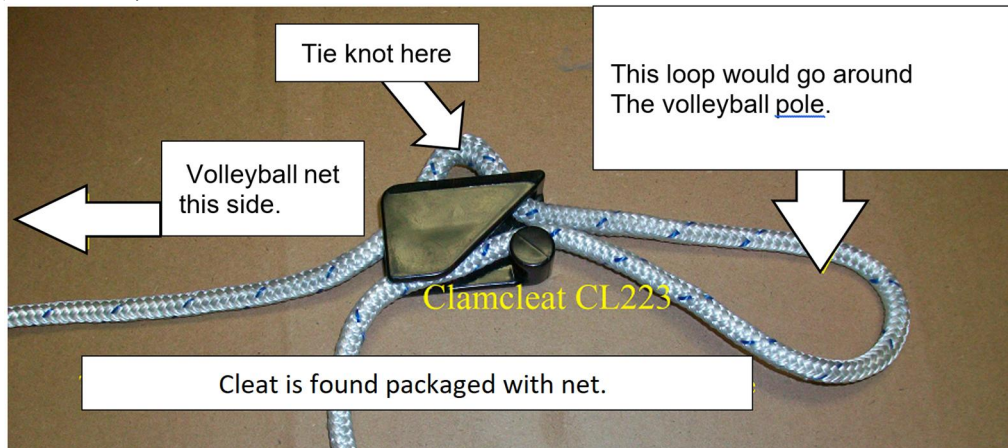


OBV100 - INSTALLATION AND MAINTENANCE MANUAL

OBVN-1 OFFICIAL COMPETITION BEACH VOLLEYBALL NET (27'-10" L x 39" H)
OBVN-2 RECREATIONAL BEACH VOLLEYBALL NET (32'-0" L x 39" H)



NOTES:
1) TIE KNOT HERE AFTER DETERMINING CLEAT LOCATION.



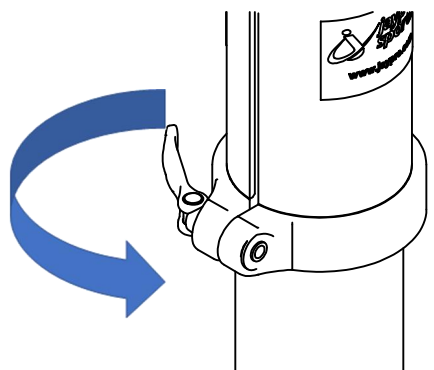
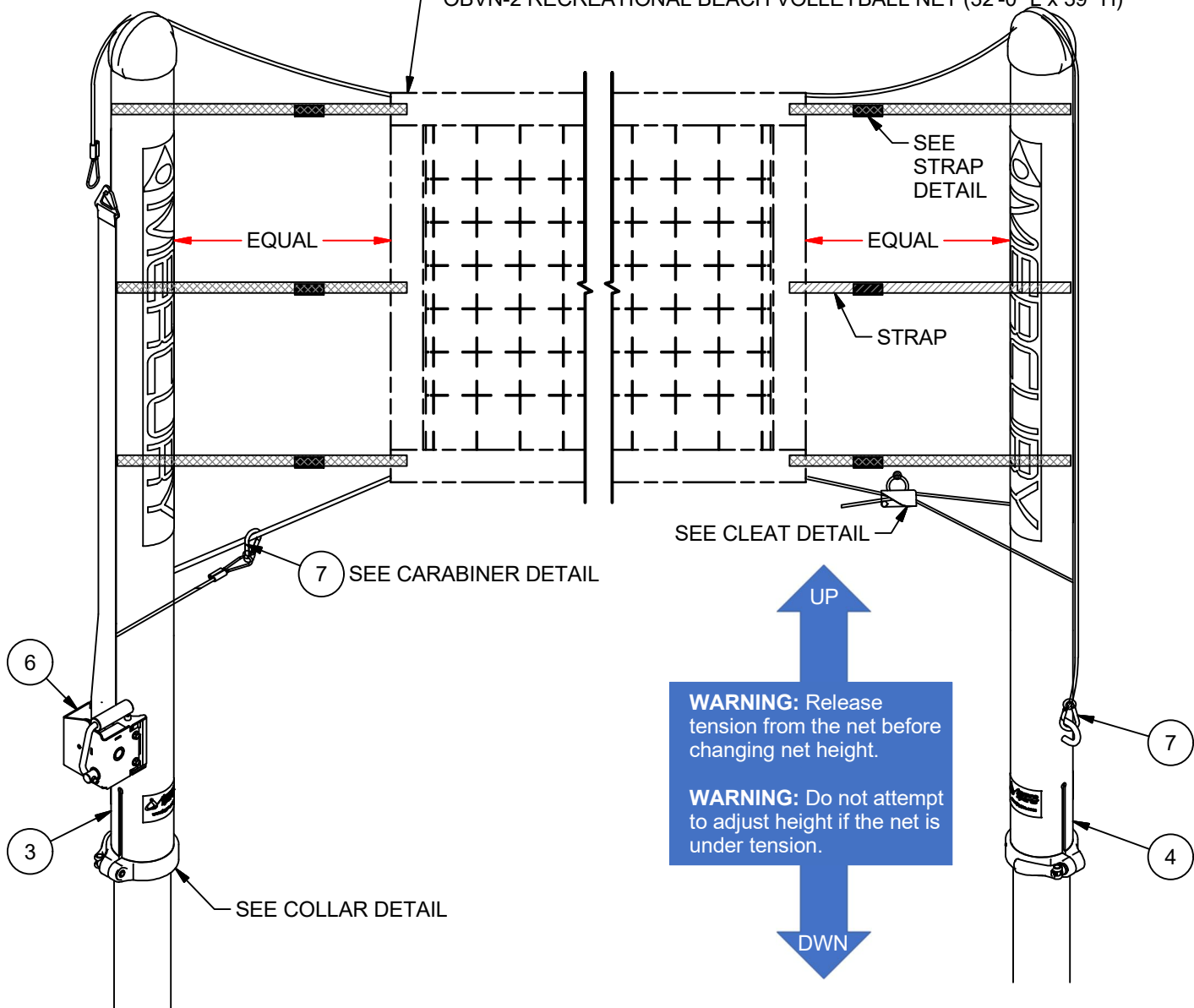
CLEAT DETAIL

OBV100

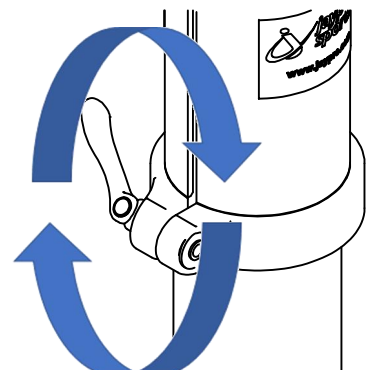


OBV100 - INSTALLATION AND MAINTENANCE MANUAL

OBVN-1 OFFICIAL COMPETITION BEACH VOLLEYBALL NET (27'-10" L x 39" H)
OBVN-2 RECREATIONAL BEACH VOLLEYBALL NET (32'-0" L x 39" H)



OPEN COLLAR HANDLE

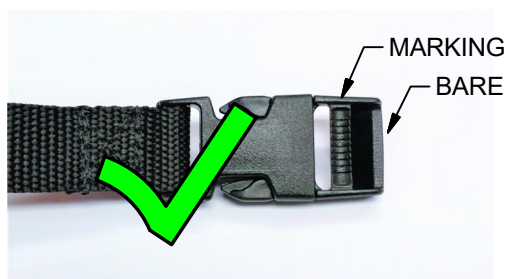


TWIST COLLAR HANDLE
(COUNTER CLOCK WISE TO LOOSEN)

COLLAR DETAIL



OBV100 - INSTALLATION AND MAINTENANCE MANUAL



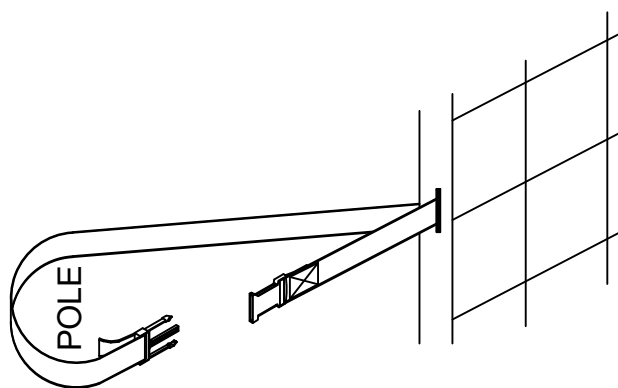
1) CHECK "TEETH" MARKING ON SNAP BUCKLE, FLIP IF NEEDED SHOWN ABOVE.



2) WEAVE STRAP THRU THE FIRST & BACK THRU LOOP AS SHOWN.



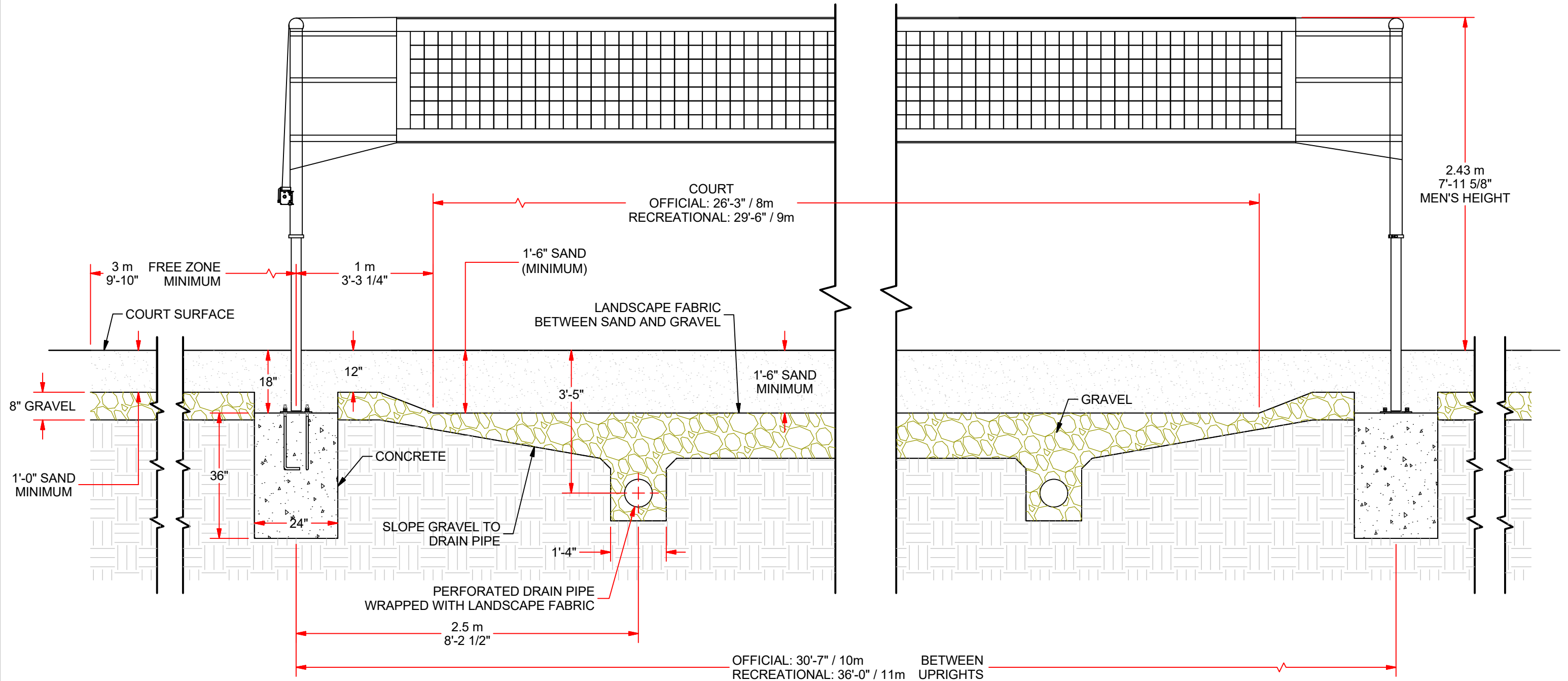
FINISH STRAP ASSEMBLY SHOWN ABOVE



STRAP DETAIL
(TYPICAL 6 PLACES)

FOOTING LOCATIONS DEPEND ON TYPE OF NET (27'-10" OR 32')

Important Note: Before laying out the court, consideration must be given to the level of play and size of net being used (27'-10" L, Official Competition vs 32'-0" L, Recreational). In Accordance with USA Volleyball, NCAA and FIVB Beach Volleyball Rules the dimensions for an Official 2 x 2 Competition court are 16 x 8m (52'-6" L x 26'-3" W). All other courts are considered Recreational at 18 x 9m (59' L x 29'-6" W).



SUGGESTED BEACH VOLLEYBALL COURT CONSTRUCTION

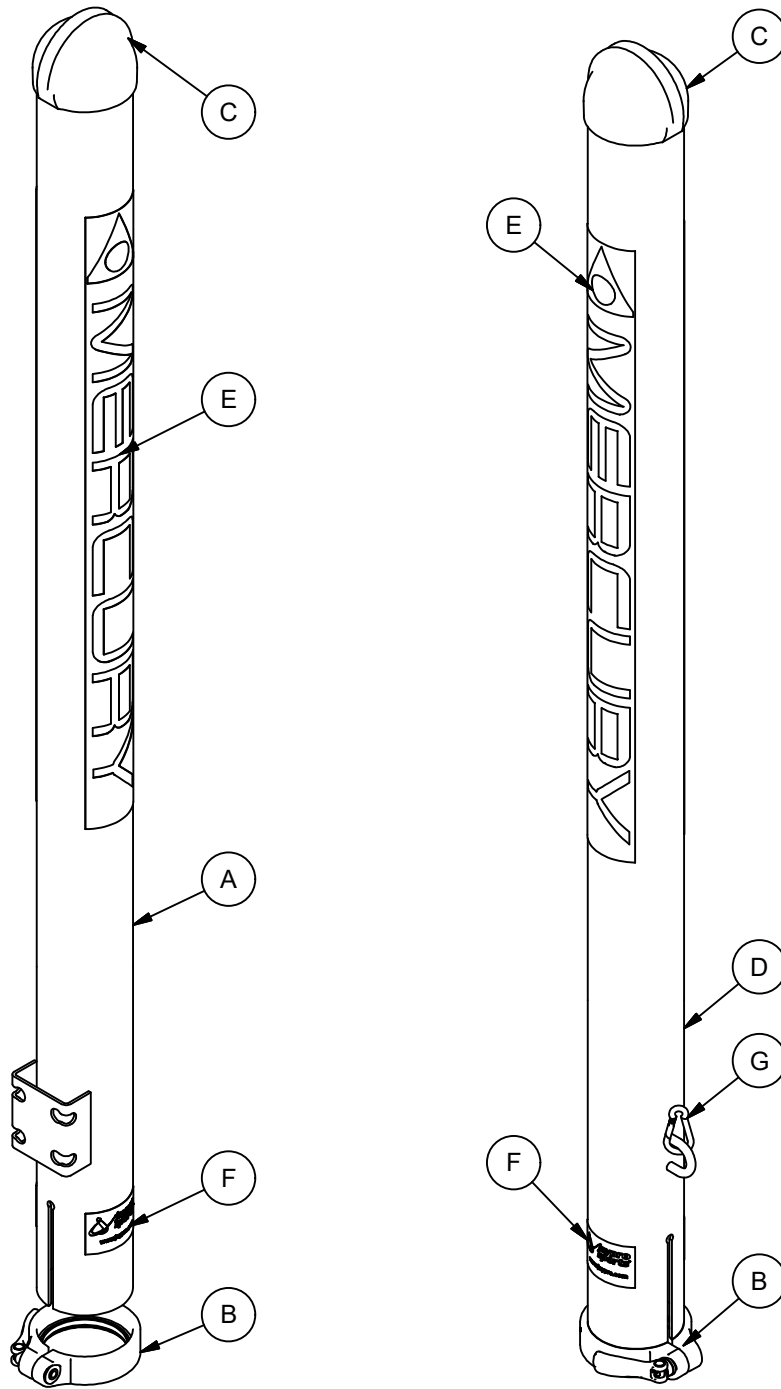
The surface must be composed of levelled sand, as flat and uniform as possible, free of rocks, shells and anything else which can represent risks of cuts or injury. Sand must be washed, screened and clean, free of silt and clay. Sand should be intermediate in size, not too coarse or too fine to cause dust. Recommended particle size should be between 0.25 - 1.0 mm



OBV100
www.jaypro.com / (800) 243-0533 / 976 Hartford Tpke, Waterford, CT 06385 USA
 SUBJECT TO CHANGES IN DESIGN AND MANUFACTURING
 © COPYRIGHT JAYPRO SPORTS, LLC. ALL RIGHTS RESERVED



UPRIGHT PARTS LIST



TAG	PART NUMBER	DESCRIPTION
A	OBV100-A	BEACH WINCH UPRIGHT
B	OBV100-E	Quick Collar
C	OBV100-F	3-1/2" BEACH VOLLEY BALL CAP
D	OBV100-D	BEACH ANCHOR UPRIGHT
E	LL1094	MERCURY BEACH VB LABEL BLACK
F	LL1081	JAYPRO 4X2.5 BLACK ON CLEAR
G	HM5013	1/4" x 2 3/8" SNAP HOOK