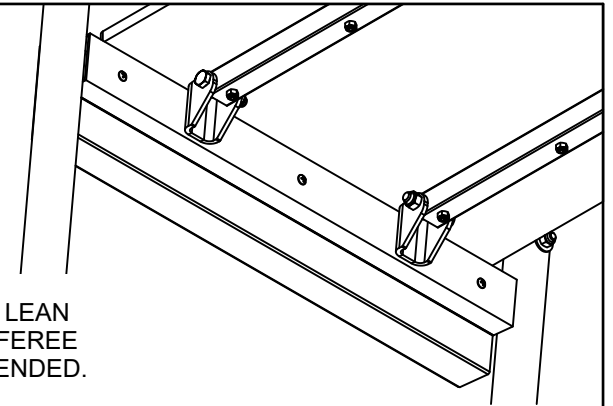


CAUTION:
 MAXIMUM ALLOWABLE LOAD IS 300 POUNDS. DO NOT LEAN
 ACROSS RAILINGS OR UNIT MAY TOPPLE OVER. A REFEREE
 STAND PAD (PART# VRS-80P) IS STRONGLY RECOMMENDED.

IMPORTANT:
 QUICK RELEASE PIN (ITEM# 18) MUST BE FULLY
 INSERTED THRU PLATFORM BRACKET TO SAFELY LOCK
 PLATFORM IN POSITION. CHECK THIS CONNECTION
 BEFORE EVERY USE.

NOTE: FRONT UPRIGHT COMES PRE-ASSEMBLED w/ PLATFORM.



PLEASE NOTE:

- 1) FOR SAFE OPERATION AND CONTINUED HIGH PERFORMANCE FROM THIS EQUIPMENT, INSPECTION AND MAINTENANCE MUST BE PERFORMED BEFORE EACH USE.
- 2) USE OF THIS EQUIPMENT OTHER THAN INTEND, MAY BE HAZARDOUS.
- 3) ALTERATION OR MODIFICATION OF EQUIPMENT MAY BE HAZARDOUS, FOR REPAIR OR REPLACEMENT, PLEASE CALL YOUR DEALER.

1	2	VRS-8001J	TOP UPRIGHT HANDLE 1.66
2	1	VRS-8002J	UPRIGHT STEP LADDER 1.66
3	1	VRS-8003J	REAR HANDLE 1.66
4	1	VRS-8004J	REAR UPRIGHT BASE 1.66
5	1	OBVRS-8A	BEACH VOLLEYBALL FEET INSERT
6	2	RW5023	BORED 10" DIA SAND WHEEL
7	10	HW5023	1/2 FLAT WASHER GEN PURPOSE SS 18-8
8	2	HN5036	1/2-13 UNC-Nylon Lock Nut-SS-GrNC
9	2	HS5369	1/2-13 x 6 HEX HEAD CAP SCREW 18-8 SS
10	2	HN5089	5/8 - 11 Hex Nut - SS - GrNC
11	4	HS5142	5/16-18 x 2-1/4 HEX BUTTON CAP SCREW-SS
12	8	HW5020	5/16" FLAT WASHER, SS
13	4	HN1231	5/16-18 NYLON LOCK NUT SS
14	2	HS5289	3/8-16 x 2-1/2 HEX CAP SCREW-SS-GrNC
15	6	HW2151	3/8" FLT SAE, SS
16	2	HW5007	1/2 FLAT WASHER PVC GREY 1 1/4" OD
17	4	HN5003	3/8-16 UNC-Nylon Lock Nut-SS-GrNC
18	1	HM6626	RING GRIP PIN 3/8 X 2 18-8 STAINLESS
19	4	HS5257	#8 x 1/2" PAN HEAD PHILIP SCREW SELF DRILL, SS
ITEM	QTY	PART #	DESCRIPTION



976 Hartford Turnpike
 Waterford, CT 06385 USA
 (800)243-0533 Fax: (800)988-3363
 www.jaypro.com

MODEL NUMBER: OBVRS-8
 CHECKED BY: WVB

PRODUCT NAME:
 BEACH VOLLEYBALL ASSEMBLY

DATE: 2/26/2020
 REV: A
 DRAWN BY: Mouné T.
 SHEET: 1 OF 1