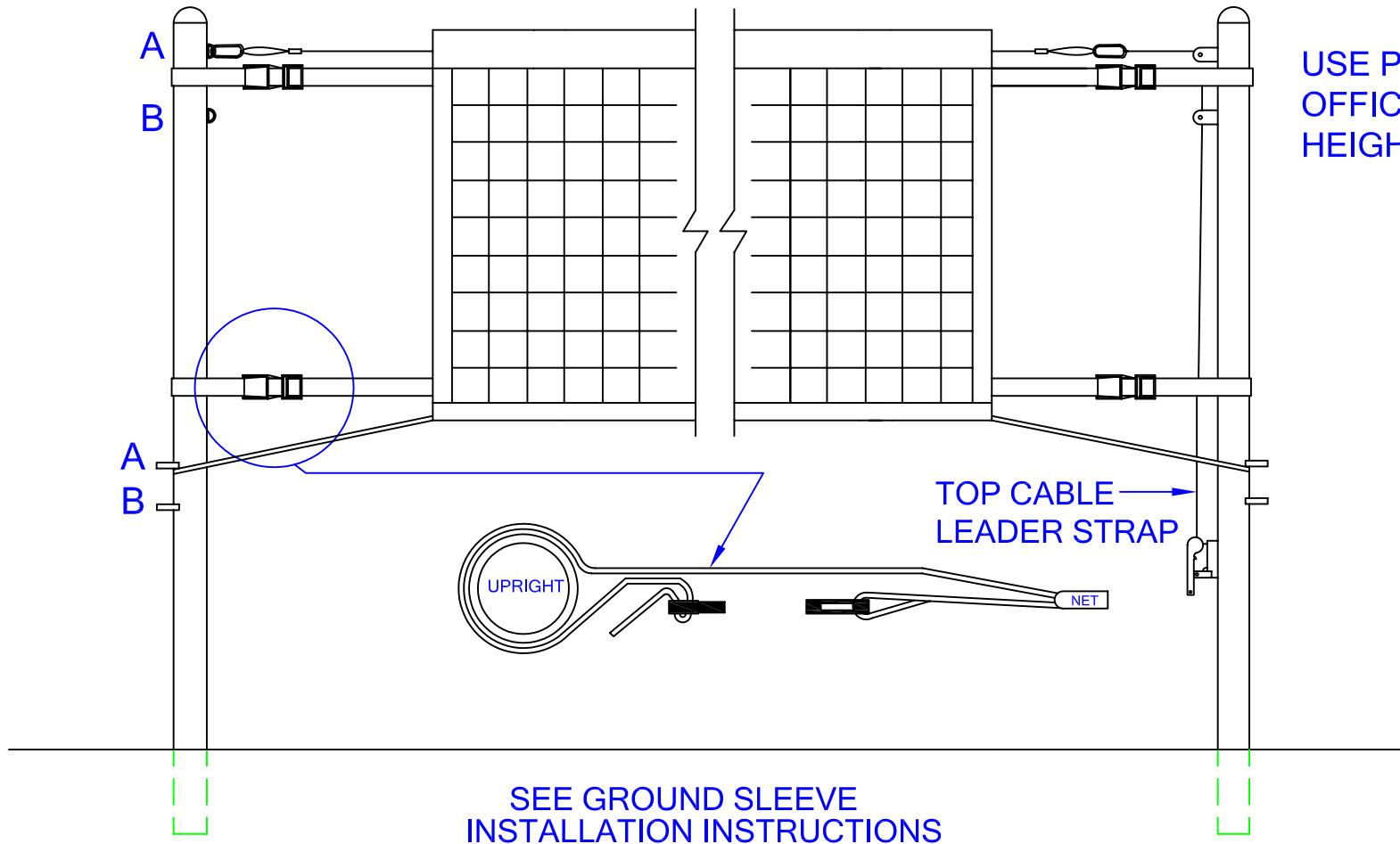


NET SHOWN SET FOR MEN'S HEIGHT (A)

USE POSITION 'A' FOR
OFFICIAL MEN'S HEIGHT:
7' 11 5/8"

USE POSITION 'B' FOR
OFFICIAL WOMEN'S
HEIGHT 7' 4 1/8"



Jaypro Sports

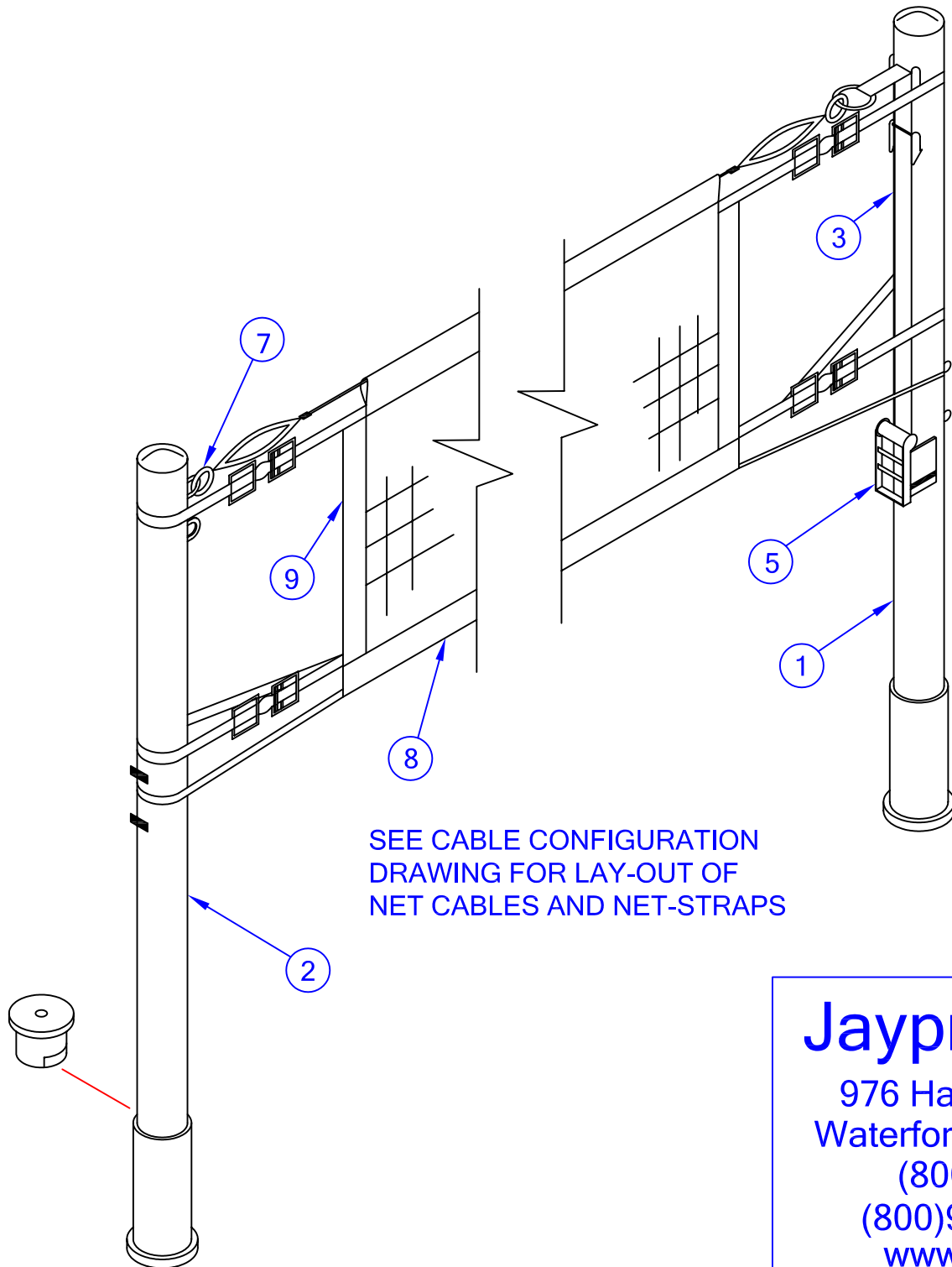
976 Hartford Turnpike
Waterford, CT 06385 USA
(800)243-0533
(800)988-3363 Fax
www.jaypro.com

MODEL NO.:
OCV-900

PRODUCT NAME:
CABLE CONFIGURATION

DRAWN BY: JAC

EFFECTIVE DATE:
5-2-03



SEE CABLE CONFIGURATION
DRAWING FOR LAY-OUT OF
NET CABLES AND NET-STRAPS

PLEASE NOTE:

- 1) FOR SAFE OPERATION AND CONTINUED HIGH PERFORMANCE FROM THIS EQUIPMENT, INSPECTION AND MAINTENANCE MUST BE PERFORMED BEFORE EACH USE
- 2) USE OF THIS EQUIPMENT OTHER THAN INTENDED, MAY BE HAZARDOUS.
- 3) ALTERATION OR MODIFICATION OF EQUIPMENT MAY BE HAZARDOUS. FOR REPAIR OR REPLACEMENT, PLEASE CALL YOUR DEALER

SEE GROUND SLEEVE
INSTALLATION INSTRUCTIONS

Jaypro Sports

976 Hartford Turnpike
Waterford, CT 06385 USA
(800)243-0533
(800)988-3363 Fax
www.jaypro.com

MODEL NO.:
OCV-900

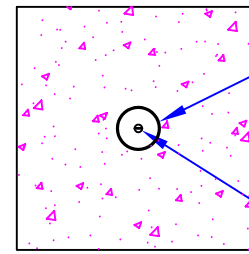
PRODUCT NAME:
ASSEMBLY DIAGRAM

DRAWN BY: JAC

EFFECTIVE DATE:
5-2-03

PLEASE NOTE:

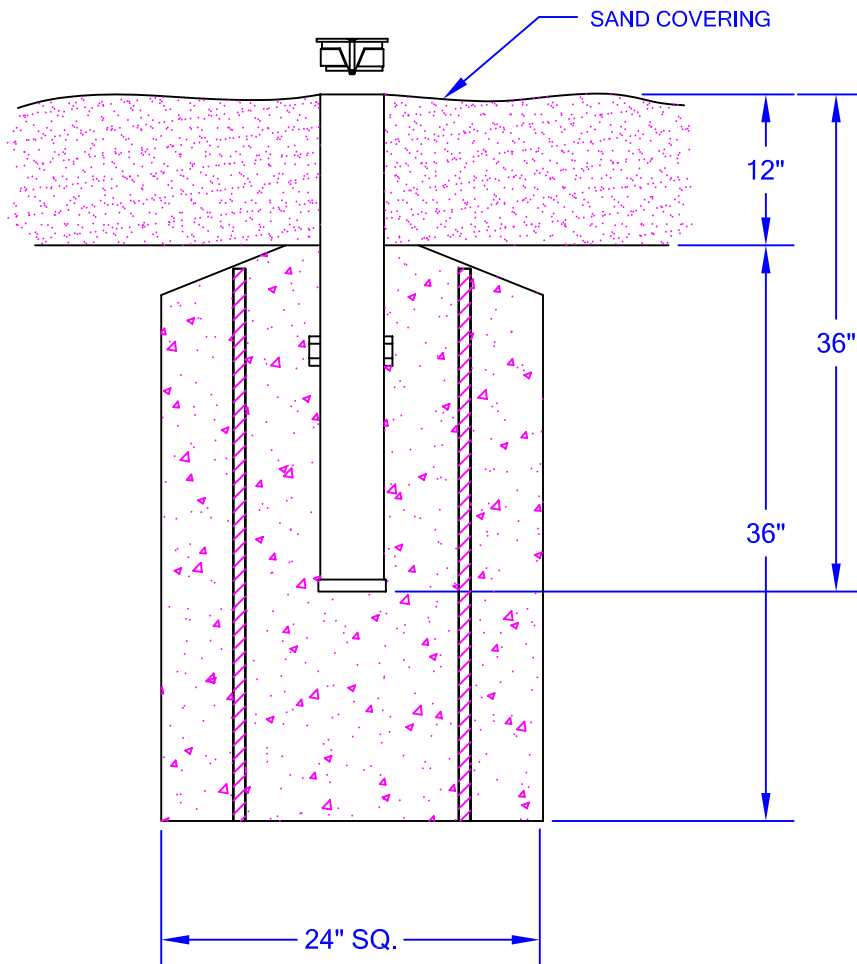
- 1) FOR SAFE OPERATION AND CONTINUED HIGH PERFORMANCE FROM THIS EQUIPMENT, INSPECTION AND MAINTENANCE MUST BE PERFORMED BEFORE EACH USE
- 2) USE OF THIS EQUIPMENT OTHER THAN INTENDED, MAY BE HAZARDOUS.
- 3) ALTERATION OR MODIFICATION OF EQUIPMENT MAY BE HAZARDOUS. FOR REPAIR OR REPLACEMENT, PLEASE CALL YOUR DEALER



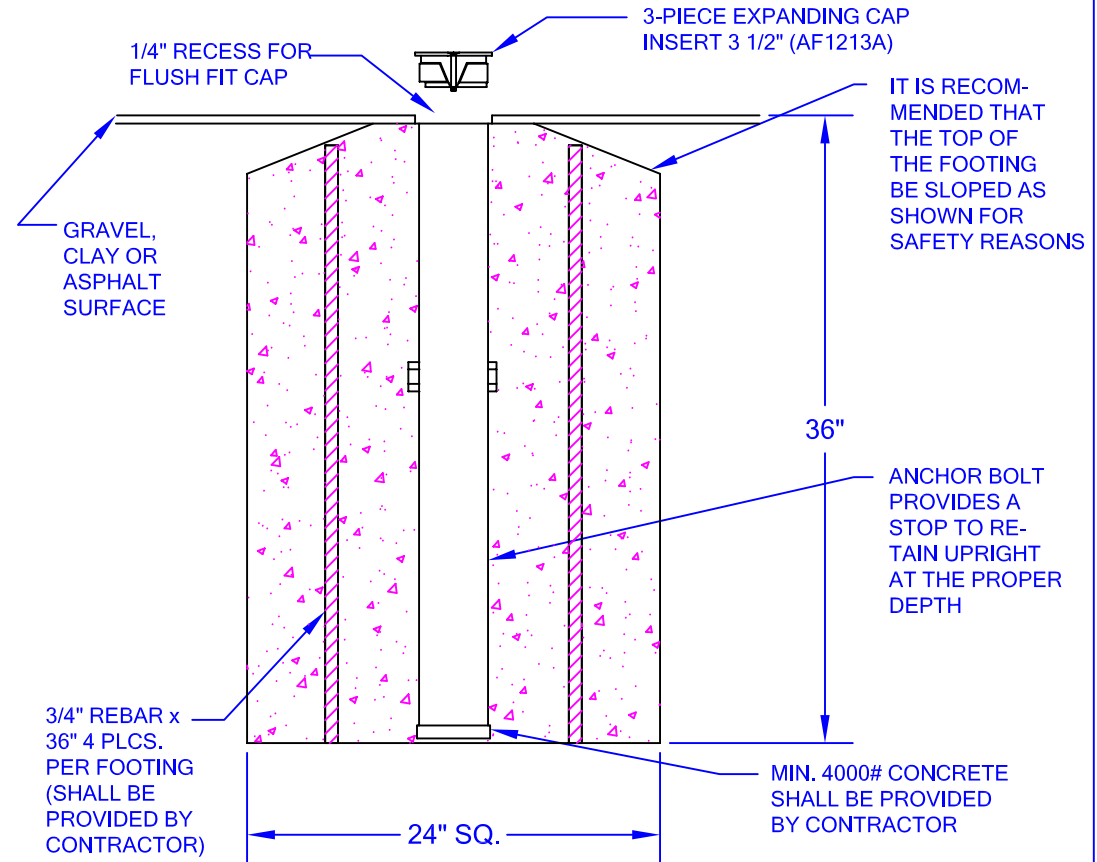
3-PIECE EXPANDING CAP INSERT
3 1/2" DIA.
(AF1213A)

SLOTTED FLAT HEAD SCREW

SAND-FILLED PLAYING SURFACE



GRAVEL, CLAY OR ASPHALT PLAYING SURFACE



Jaypro Sports

976 Hartford Turnpike
Waterford, CT 06385 USA
(800)243-0533
(800)988-3363 Fax
www.jaypro.com

MODEL NO.:
OCV-900

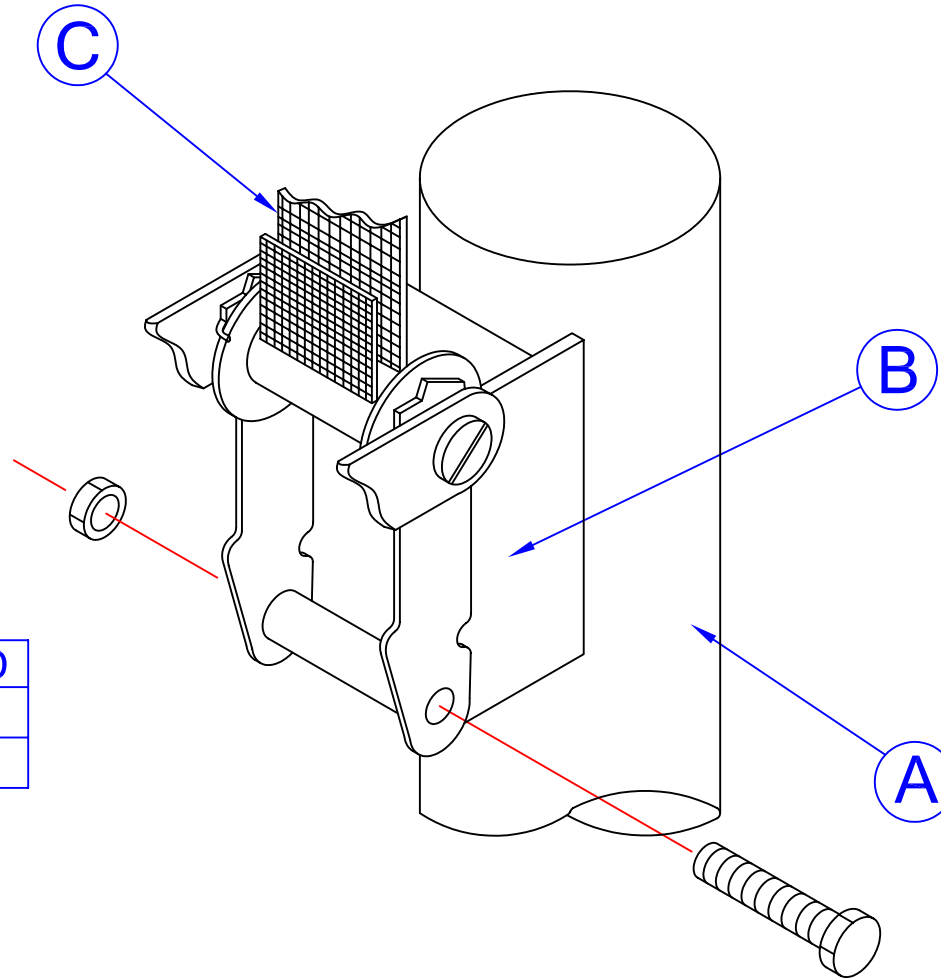
PRODUCT NAME:
SEMI-PERMANENT VOLLEYBALL
GROUND SLEEVES

DRAWN BY: JAC

EFFECTIVE DATE:
5-2-03

LARGE BUCKLE

NOTE:
HEX HEAD SCREW
LOCKS UNDER PIN
ON MOUNTING
BRACKET.



A	VOLLEYBALL STANDARD
B	BUCKLE
C	LEADER STRAP

BUCKLE ASSEMBLY INSTRUCTIONS

REMOVE NUT AND BOLT ASSEMBLY FROM BUCKLE (B). SLIDE BUCKLE UNDER TAB ON MOUNTING BRACKET (A). POSITION BUCKLE, INSERT BOLT AND REPLACE NUT. TIGHTEN SECURELY.

Jaypro Sports

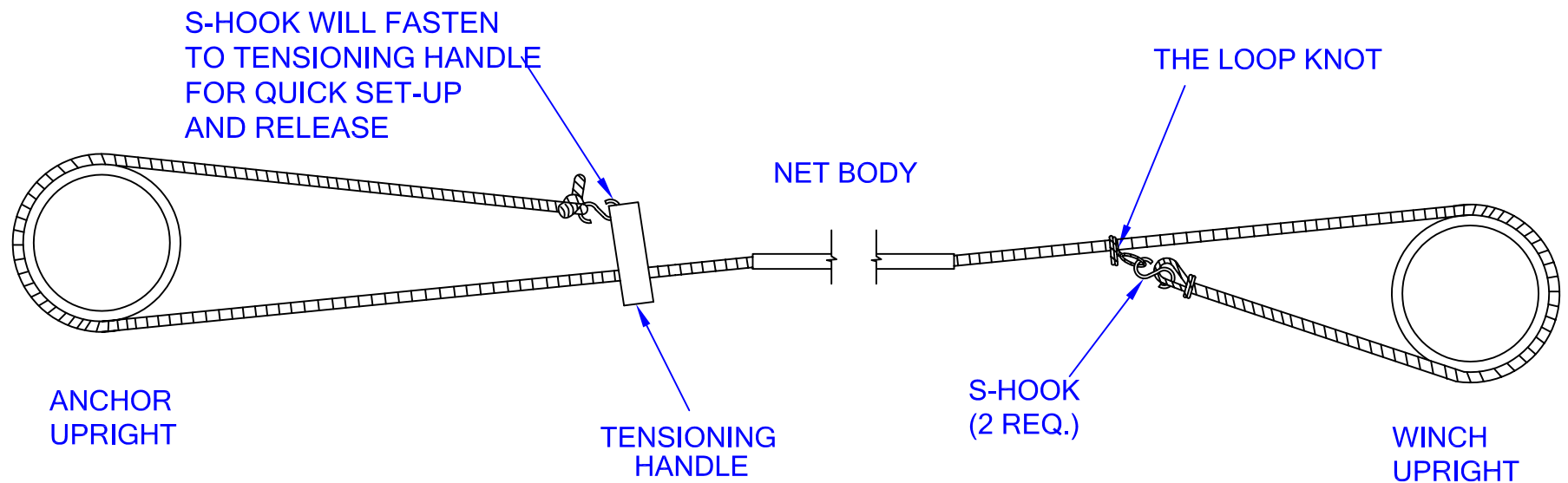
976 Hartford Turnpike
Waterford, CT 06385 USA
(800)243-0533
(800)988-3363 Fax
www.jaypro.com

MODEL NO.:

PRODUCT NAME:
BUCKLE ASSEMBLY

DRAWN BY: JAC

EFFECTIVE DATE:
3-31-03



VOLLEYBALL NET-BOTTOM CABLE TENSIONING INSTRUCTIONS

1 TEST POSITION THE BOTTOM CABLE AROUND THE WINCH UPRIGHT AND NOTE LOCATION OF INTERSECTION. TIE A LOOP KNOT, AS SHOWN ABOVE, THEN TIE ONE SMALL S-HOOK TO THE END OF THE CABLE AND HOOK THIS ONTO THE LOOP KNOT TO SECURE THIS END.

2. SLIP THE BOTTOM CABLE END THRU ONE SET OF HOLES IN THE TENSIONING HANDLE AND PULL CABLE AROUND THE UPRIGHT. DETERMINE THE INTERSECTION POINT AND TIE AN S-HOOK IN PLACE. CLIP THE S-HOOK THRU THE REMAINING HOLES IN THE TENSIONING HANDLE AND PULL THE HANDLE TOWARD THE NET TO APPLY TENSION TO THE BOTTOM CABLE. EXCESS CABLE CAN BE CUT OFF.

Jaypro Sports

976 Hartford Turnpike
Waterford, CT 06385 USA
(800)243-0533
(800)988-3363 Fax
www.jaypro.com

MODEL NO.:
PVB-1000

PRODUCT NAME:
BOTTOM CABLE CONFIGURATION

DRAWN BY: JAC

EFFECTIVE DATE:
5-2-03

JAYPRO SPORTS
COMPETITION OUTDOOR VOLLEYBALL, OCV-900
LIST OF MATERIALS

<u>PIECE NO.</u>	<u>PART NO.</u>	<u>DESCRIPTION</u>	<u>QTY.</u>
1	OCV901	Top Winch Upright	1
2	OCV902	Anchor End Upright	1
3	PVB101A	Leader Strap	1
4	HM5044	Top Cable Buckle	1
5	HM5054	Snap Hook 5/16"	1
6	PVBN-1	Power Volleyball Net (Not Included)	1
7	PVBN12	Volleyball Net Dowel (Not Included)	2

ASSEMBLY INSTRUCTIONS

READ ALL DIRECTIONS CAREFULLY BEFORE BEGINNING ASSEMBLY.

- 1) Place the top winch upright (1) and the anchor end upright (2) into their respective floor sleeves. Align the uprights so the cable buckle and d-rings are facing toward the inside of the court.
- 2) Place the leader strap for the top cable (3) onto the strap roller at men's or women's net height. See "cable configuration drawing".
- 3) Slip the net dowels (7) into the side pockets on each end of the net. Position the power volleyball net (6) between the two uprights. Clip the looped ends of the oval snap rings (5) located on the end of the leader strap (3). See "cable configuration drawing".
- 4) Slowly tension the top cable by cranking the buckle; see illustrations and separate instructions on how to properly use the net tensioning buckles. Continue to tension the cable until the height measured at the center of the net is within 1" of the official net height.
- 5) Wrap the long ends of the net side straps around the uprights and fasten them through the snap buckles located on the opposite side. For best results, adjust the side straps so the volleyball net will remain centered within the playing area.
- 6) Raise the center of the net to the full official net height by cranking the top cable buckle. Adjust all net side straps to tension the net.
- 7) To release the tension on the unit, always unfasten the net side straps first, then release the tension on the top cable. See illustrations and separate instructions on how to properly use the net tensioning buckles. Note: the release of the tension will cause the leader straps and the volleyball net to suddenly relax. The cable buckle may "pop" when this occurs but this is expected and it will not damage the equipment or cause injury to the operator.

- 8) To remove the unit for storage, disconnect the net from the two uprights. Carefully lift each upright from the floor sleeve top cap. Important: the uprights are heavy and it is recommended that at least two people hold and lift each upright from the floor sleeve.

INSTALLATION AND USE CONSIDERATIONS

- 1) This unit is designed for high-level competition play. Consequently, when installed and operational, the unit is subject to considerable stress loads. It is essential to inspect all parts before each use.
- 2) Do not use this equipment without the protective upright padding properly fastened in place.
- 3) A few drops of light lubricating oil applied periodically to the moving parts on the cable buckle will help assure smooth and easy operation.
- 4) A light coating of lubricating grease applied to the inside of each floor sleeve will make the removal of each upright easier.

SEMI-PERMANENT VOLLEYBALL STANDARDS

SLEEVE INSTALLATION INSTRUCTIONS

Set ground sleeves exactly 36' on center. This may require the services of a qualified local contractor familiar with the soil conditions and the building codes in your area. The referenced minimum concrete dimensions are typical for average soil conditions, but unusual conditions may warrant modifications by the contractor.

Important: Proper installation of ground sleeves is essential to the successful performance of this unit.

Note: Concrete specified should be 4000# min. curing time should be a minimum of 14 days before putting it into service.