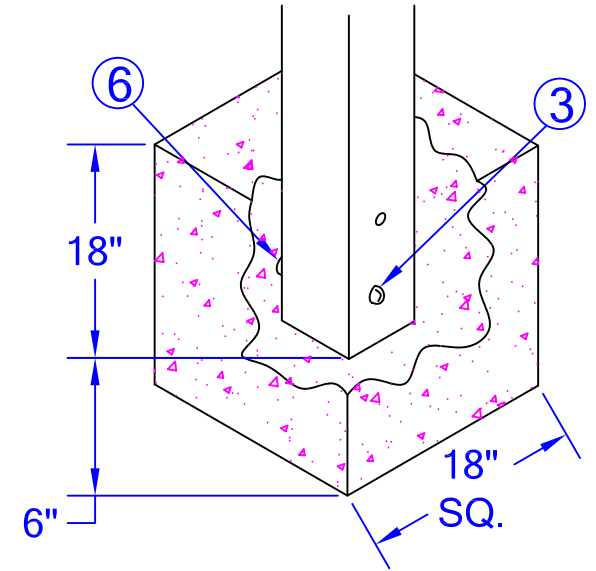


SEE
DETAIL A-A

NOTE: THESE ARE MINIMUM
SUGGESTED DIMENSIONS FOR
AVERAGE SOIL CONDITIONS.



Jaypro Sports

976 Hartford Turnpike
Waterford, CT 06385 USA
(800)243-0533
(800)988-3363 Fax
www.jaypro.com

MODEL NO.:
PB-10PI

PRODUCT NAME:

21' PLAYERS BENCH WITH BACK REST

DRAWN BY: JAC

EFFECTIVE DATE:
4-29-03

JAYPRO SPORTS

21' PERMANENT PLAYER'S BENCH WITH BACK REST, PB-10PI LIST OF MATERIALS

<u>PIECE NO.</u>	<u>PART NO.</u>	<u>DESCRIPTION</u>	<u>QTY.</u>
1	AR5044	Bolt Clip With Slot	16
2	AR5045	End Cap	4
3	HB5030	Carriage Bolt 5/16"-18 X 3"	20
4	HS5035	#8 Pan Head Screw x 1/2"	8
5	EP0018	2" X 2" End Plug	16
6	HN5046	Flange Nut 5/16"	20
7	AR5052	Seat Plank x 21'	2
8	80PI1	Leg	4

ASSEMBLY INSTRUCTIONS

TOOLS REQUIRED: Phillips Screwdriver Bit With Electric Drill (1),
1/2" Socket Wrench or Adjustable Wrench (1)

- 1) Slip the end caps (2) snugly onto each end of each plank (7). Using the electric drill, assemble a self-drilling screw (4) through the cap and into the flange of the plank. Two screws are required per end cap.
- 2) For easiest assembly, position seat plank (7) on a level raised surface such as a desk top, bleacher seat or work bench. Place the carriage bolt (3) and bolt clips (1) approximately into place within the slots of the plank. Note that the outside legs should be no more than 8" from the plank edge. Also assemble a bolt (3) and a nut (6) through the lowest hole of the leg extension to help lock the leg in the footing.
- 3) Position the legs (8) as shown and loosely assemble the hardware illustrated in detail 'A-A'. Do not fully tighten the hardware at this time.
- 4) Stand the unit upright and assemble the backrest plank (7) as illustrated. Level the bench and make sure the legs are adequately spaced apart. Tighten all fasteners fully.
- 5) Locate your bench and dig footings to the dimensions shown on the illustration. Mark each leg at 18" from bottom of leg.
- 6) Fill in footings with concrete, then, lower assembled bench into the footings. Block up under bench to support the bench at the mark on each leg. Level seat plank and adjust bench as necessary.
- 7) Allow footings to cure at least 72 hours before removing the supports or using the bench.