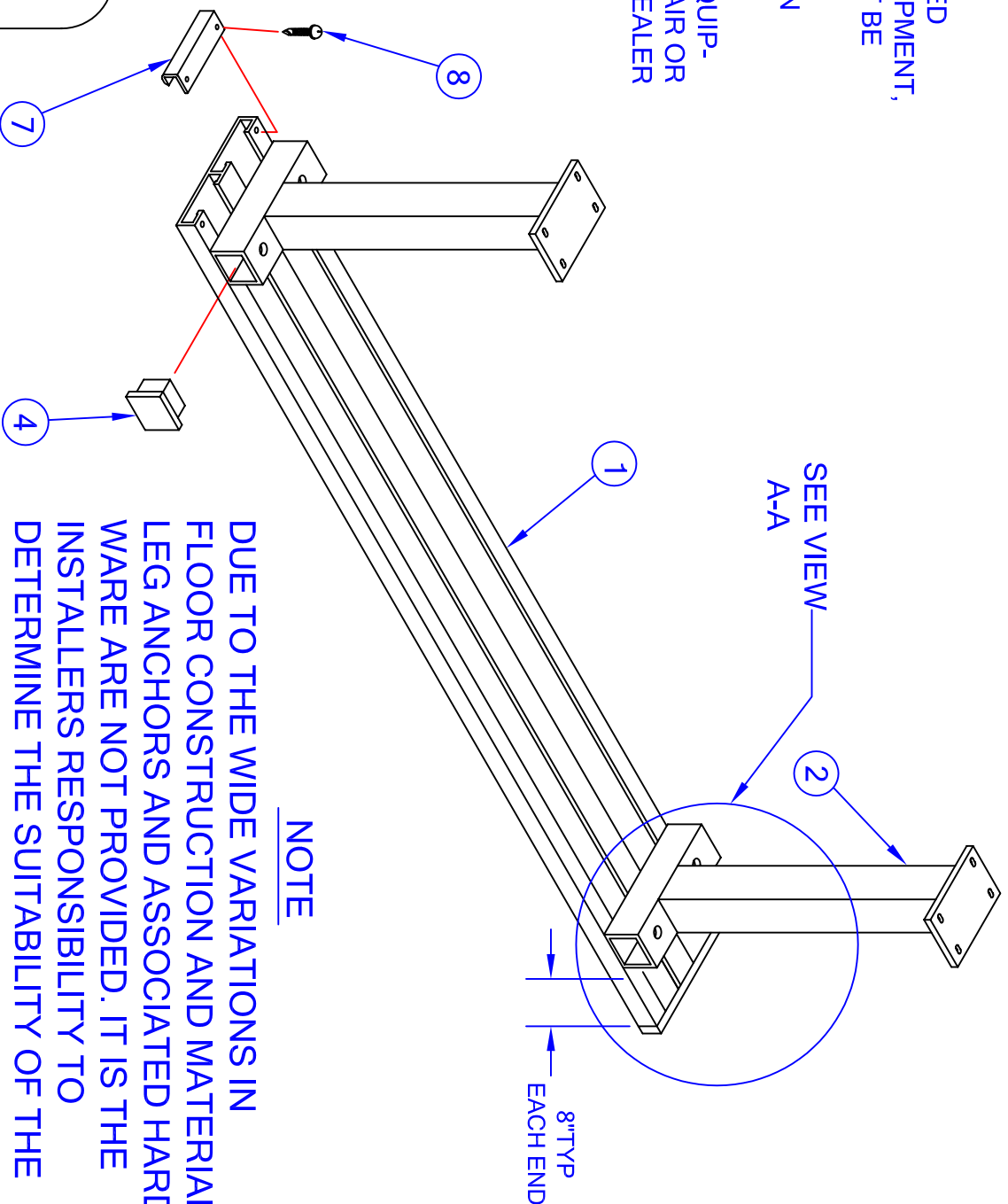
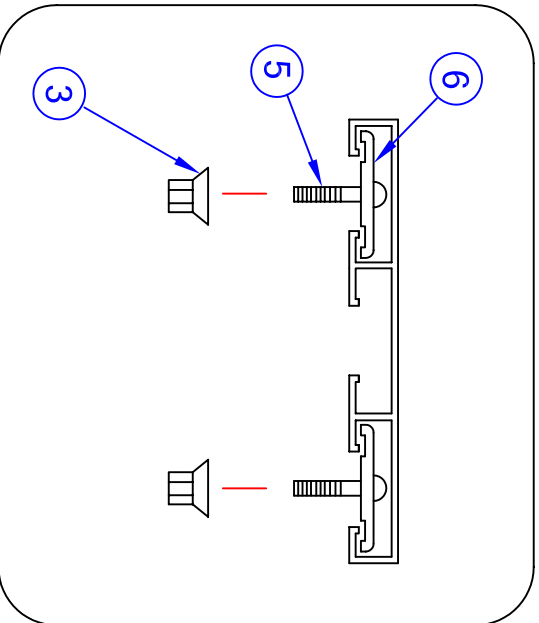


PLEASE NOTE:

- 1) FOR SAFE OPERATION AND CONTINUED HIGH PERFORMANCE FROM THIS EQUIPMENT, INSPECTION AND MAINTENANCE MUST BE PERFORMED BEFORE EACH USE
- 2) USE OF THIS EQUIPMENT OTHER THAN INTENDED, MAY BE HAZARDOUS.
- 3) ALTERATION OR MODIFICATION OF EQUIPMENT MAY BE HAZARDOUS. FOR REPAIR OR REPLACEMENT, PLEASE CALL YOUR DEALER



VIEW A-A



NOTE
DUE TO THE WIDE VARIATIONS IN FLOOR CONSTRUCTION AND MATERIALS, LEG ANCHORS AND ASSOCIATED HARDWARE ARE NOT PROVIDED. IT IS THE INSTALLERS RESPONSIBILITY TO DETERMINE THE SUITABILITY OF THE FASTENERS.

Jaypro Sports

976 Hartford Turnpike
Waterford, CT 06385 USA
(800)243-0533
(800)988-3363 Fax
www.jaypro.com

MODEL NO.:
PB-75SM

PRODUCT NAME:
7 1/2' PLAYERS BENCH

DRAWN BY: JAC

EFFECTIVE DATE:
5-1-03

JAYPRO SPORTS

7 1/2' PLAYER'S BENCH, PB-75SM

LIST OF MATERIALS

<u>PIECE #</u>	<u>PART #</u>	<u>DESCRIPTION</u>	<u>QTY</u>
1	AR5046	SEAT PLANK	1
2	PB751SM	BENCH LEG	2
3	HN5046	5/16" FLANGE NUT	4
4	EP0018	2" x 2" END PLUG	4
5	HB5030	5/16"-18 x 3" CARRIAGE BOLT	4
6	AR5044	HOLD DOWN CLIP	4
7	AR5045	END CAP	2
8	HS5035	#8 PAN HEAD SCREW x 1/2"	4

ASSEMBLY INSTRUCTIONS

TOOLS REQUIRED: Phillips Screwdriver Bit With Electric Drill (1),
1/2" Socket Wrench Or Adjustable Wrench (1)

- 1) Slip the end caps (7) snugly onto each end of the plank (1). Using the electric drill, assemble a self-drilling screw (8) through the cap and into the flange of the plank. Two screws are required per end cap.
- 2) For easiest assembly, position seat plank (1) on a level raised surface such as a desk top, bleacher seat or work bench. Place the carriage bolt (5) and bolt clips (6) approximately into place within the slots of the plank. Note that the legs should be no more than 8" from the plank edge.
- 3) ,Position the legs as shown and loosely assemble the hardware illustrated in detail 'A-A'. Do not fully tighten the hardware at this time.
- 4) Stand the unit upright and assemble the backrest plank (8) as illustrated. Level the bench and make sure the legs are adequately spaced apart. Tighten all fasteners fully.
- 5) Locate assembled bench into position and carefully mark the hole locations for each mounting plate. Use fasteners (minimum 3/8" diameter) appropriate for your surface material. Follow manufacturer's instructions fully.