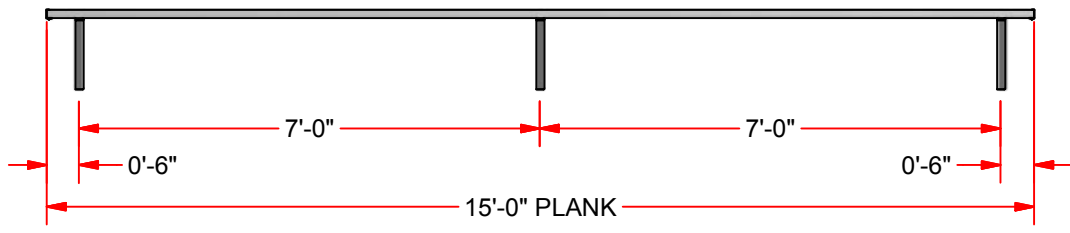
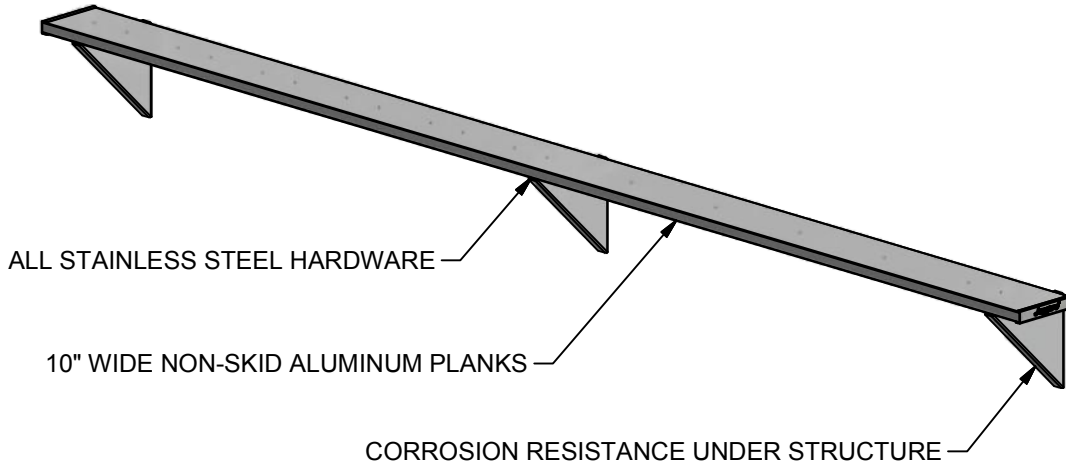
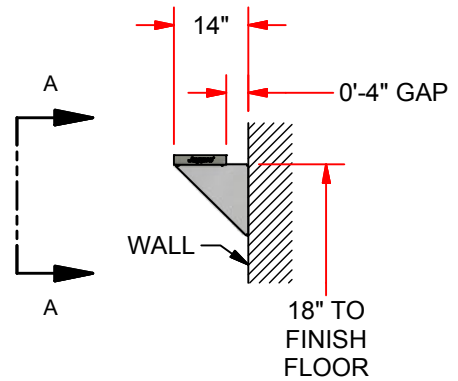


PBW-15

15' WALL MOUNTED ALUMINUM PLAYERS BENCH



VIEW A-A
(FRONT VIEW)



FEATURES:

- * 15' SEAT PLANKS ARE 10" WIDE NON-SKID ALUMINUM
- * CORROSION RESISTANCE UNDER STRUCTURE
- * ALL STAINLESS STEEL HARDWARE

OPTIONS:

- * CUSTOM POWDER COATED COLORS

PBW-15
15' WALL MOUNTED ALUMINUM PLAYERS BENCH

THIS PRINT IS THE PROPERTY OF JAYPRO SPORTS, LLC. AND MAY NOT BE REPRODUCED WITHOUT WRITTEN PERMISSION



PHONE:
800.243.0533 (TOLL FREE)
860.447.3001 (LOCAL)

FAX:
860.444.1773 (SALES)
860.440.0628 (ENG.)

INNOVATION, PERFORMANCE
AND COMMITMENT SINCE 1953

DRAWING NAME / PART NUMBER:

PBW-15

DRAWN BY: Moune T.	ISSUE DATE: 10/12/2011
CHKD BY: WVB	CHK DATE: 4/11/2014
SHEET: 1 OF 1	