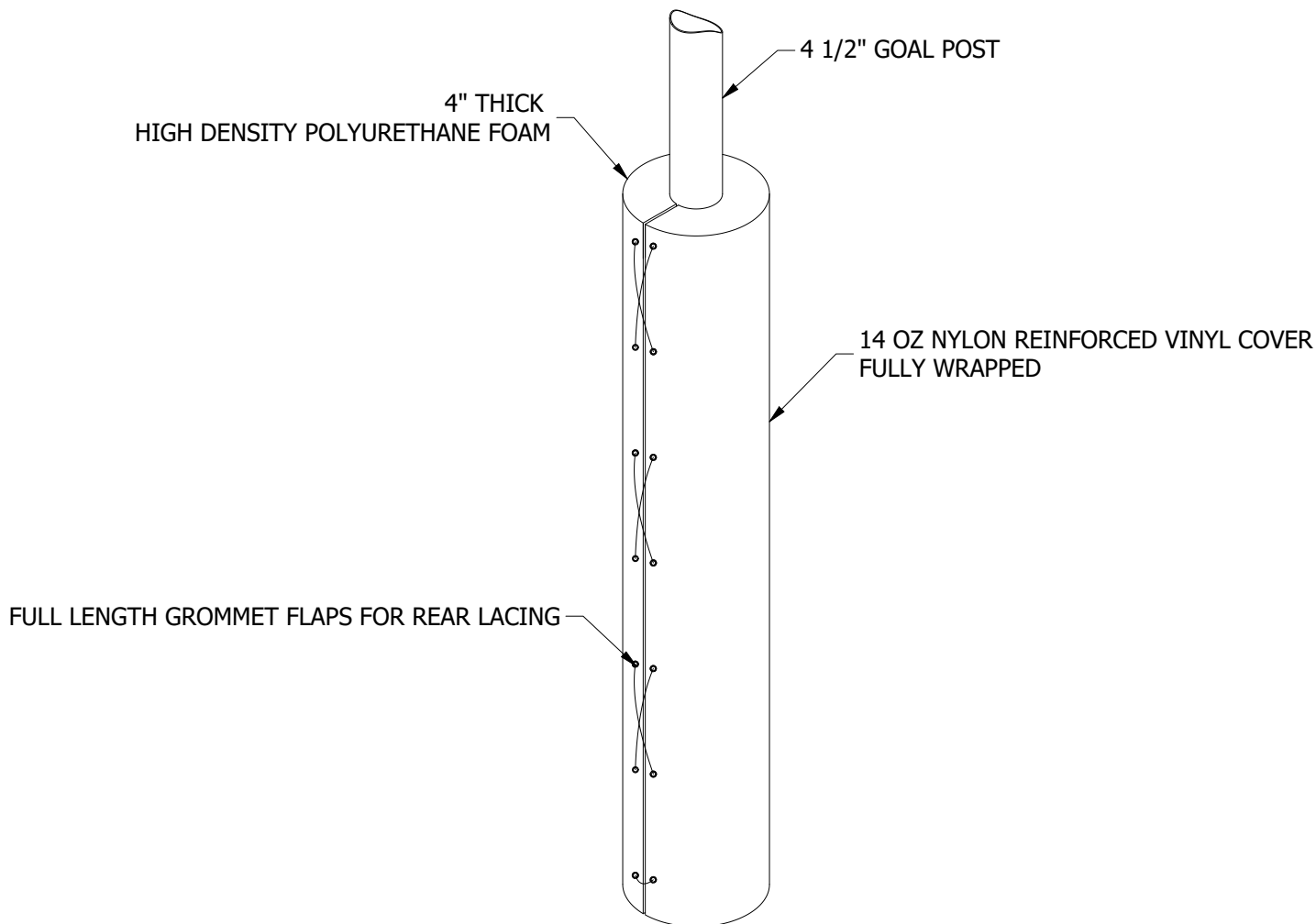


# PPP-5HP ECONOMY 4 1/2" POST PAD



## **FEATURES:**

- > 6' H x 12 1/2" DIAMETER
- > 4" THICK HIGH-DENSITY POLYURETHANE FOAM.
- > SIZED TO FIT A 4 1/2" POST
- > 14 OZ NYLON REINFORCED VINYL COVER, FULLY WRAPPED
- > FULL LENGTH GROMMET FLAPS FOR REAR LACING (LACING CORD INCLUDED)
- > SOLD EACH
- > 1 YEAR LIMITED WARRANTY

## **OPTIONS:**

- > PAD COLORS (PLEASE SPECIFY)

<input type="checkbox"/> BLACK	<input type="checkbox"/> FOREST GREEN	<input type="checkbox"/> RED	<input type="checkbox"/> GREY	<input type="checkbox"/> PURPLE
<input type="checkbox"/> KELLY GREEN	<input type="checkbox"/> ROYAL BLUE	<input type="checkbox"/> YELLOW	<input type="checkbox"/> TAN	<input type="checkbox"/> MAROON
	<input type="checkbox"/> NAVY BLUE	<input type="checkbox"/> PINK	<input type="checkbox"/> LIGHT BLUE	<input type="checkbox"/> ORANGE

- > CUSTOM MULTI-COLOR DIGITAL GRAPHICS FOR FOOTBALL (JSG-FPP) OR BASKETBALL (JSG-BPP2)



**PPP-5HP**  
**ECONOMY 4 1/2" POST PAD**

© COPYRIGHT 2021 JAYPRO SPORTS, LLC. ALL RIGHTS RESERVED THIS PRINT IS THE PROPERTY OF JAYPRO SPORTS, LLC. AND MAY NOT BE REPRODUCED WITHOUT WRITTEN PERMISSION

[www.jayprosports.com](http://www.jayprosports.com)  
(800) 243-0533  
976 Hartford Turnpike  
Waterford, CT 06385 USA

Rev: A

SHEET 1 OF 1