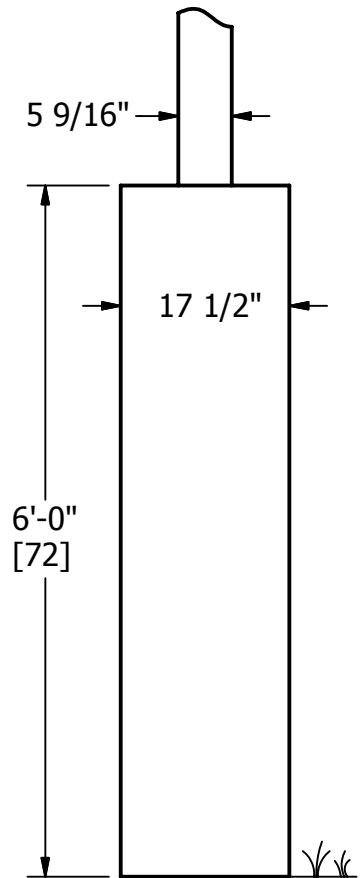
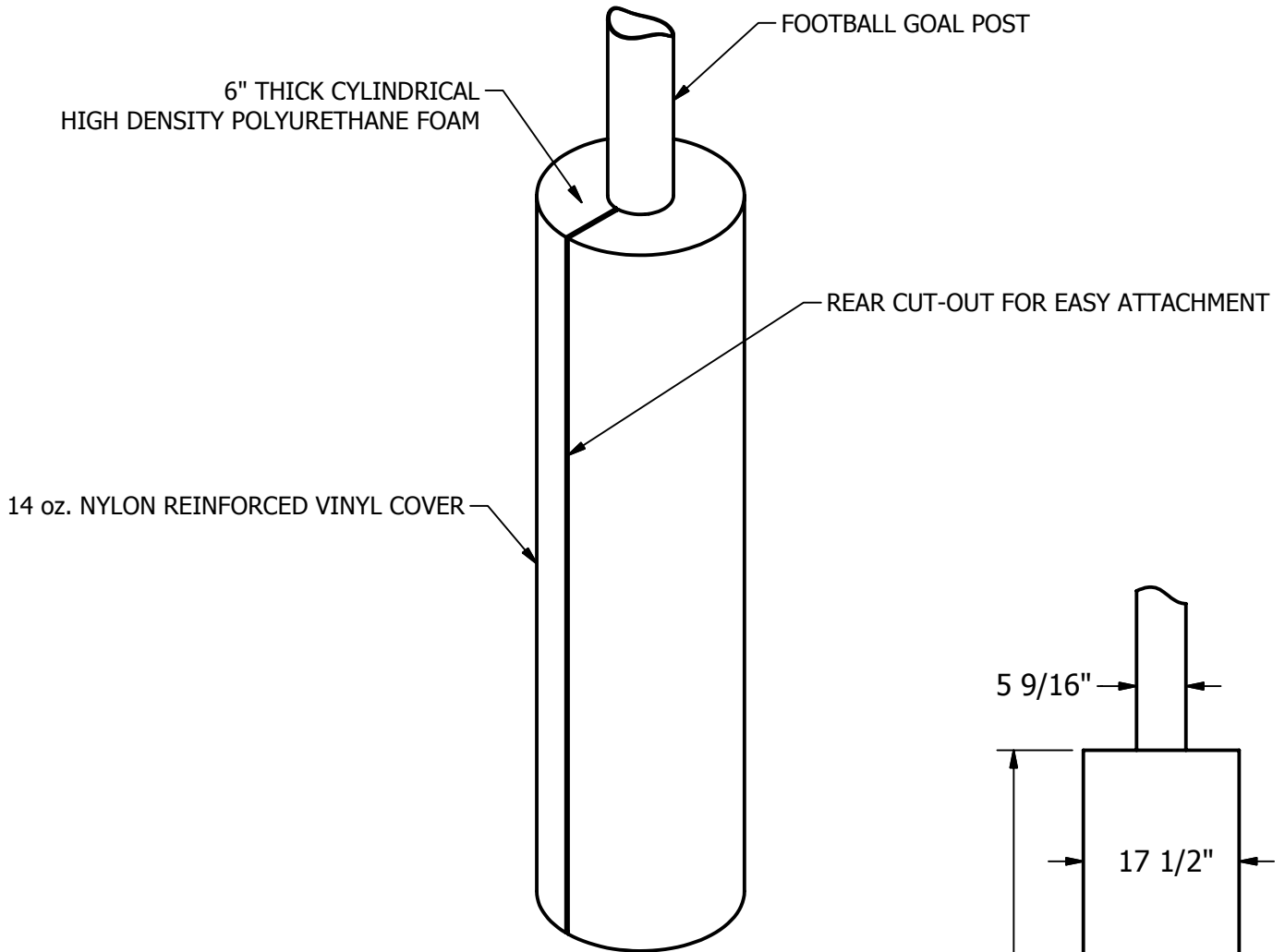


# PPP-700

## PRO-STYLE ROUND PROTECTOR PAD



**FEATURES:**

- \* FITS A 5 9/16" OD FOOTBALL GOAL POST
- \* 6" THICK CYLINDRICAL HIGH DENSITY POLYURETHANE FOAM
- \* REAR CUT-OUT FOR EASY ATTACHMENT
- \* 14 oz. NYLON REINFORCED VINYL COVER, COMPLETELY ENCLOSES THE FOAM FILLER
- \* VINYL COVER HAS FULL LENGTH HOOK & LOOP CLOSURE FLAP

**OPTIONS:**

\* PAD COLORS (PLEASE SPECIFY)

- |                                      |  |                                 |                                |                                 |
|--------------------------------------|--|---------------------------------|--------------------------------|---------------------------------|
| <input type="checkbox"/> BLACK       | <input type="checkbox"/> FORESET GREEN | <input type="checkbox"/> RED    | <input type="checkbox"/> GREY  | <input type="checkbox"/> PURPLE |
| <input type="checkbox"/> KELLY GREEN | <input type="checkbox"/> ROYAL BLUE    | <input type="checkbox"/> YELLOW | <input type="checkbox"/> BEIGE | <input type="checkbox"/> MAROON |
|                                      |  |                                 |                                | <input type="checkbox"/> ORANGE |

\* CUSTOM PAD LETTERING

- LETTERS ARE SCREENED IN PLACE WITH WHITE ACRYLIC ENAMEL FOR LONG-LASTING USE
- LETTER SIZE DETERMINED BY LENGTH OF NAME
- SIX LETTER MAXIMUM

REV.	DESCRIPTION	DATE	BY
-	INITIAL RELEASE	7/20	MT

**PPP-700**  
PRO-STYLE ROUND  
PROTECTOR PAD

www.jaypro.com



**FAX:** 860.444.1779 (SALES)  
860.440.0628 (ENG.)

**PHONE:** 800.243.0533 (TOLL FREE)  
860.447.3001 (LOCAL)

JAYPRO SPORTS, LLC, 976 HARTFORD TURNPIKE, WATERFORD, CT 06385 USA

DRAWING NAME / PART NUMBER: <b>PPP-700</b>	
DRAWN BY: Moune T.	ISSUE DATE: 7/20/2010
CHK'D BY: WVB	
SHEET: 1 OF 1	REV. -

COPYRIGHT 2006  
JAYPRO SPORTS, LLC.  
ALL RIGHTS RESERVED

THIS PRINT IS THE PROPERTY OF JAYPRO SPORTS, LLC.  
AND MAY NOT BE REPRODUCED WITHOUT WRITTEN PERMISSION