


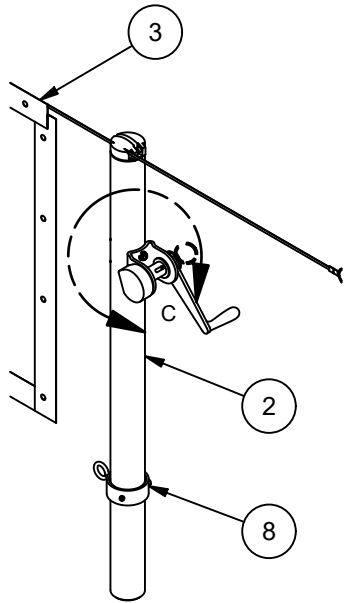
**PLEASE NOTE:**

- 1) FOR SAFE OPERATION AND CONTINUED HIGH PERFORMANCE FROM THIS EQUIPMENT, INSPECTION AND MAINTENANCE MUST BE PERFORMED BEFORE EACH USE.
- 2) USE OF THIS EQUIPMENT OTHER THAN INTENDED, MAY BE HAZARDOUS.
- 3) ALTERATION OR MODIFICATION OF EQUIPMENT MAY BE HAZARDOUS. FOR REPAIR OR REPLACEMENT, PLEASE CALL YOUR DEALER.

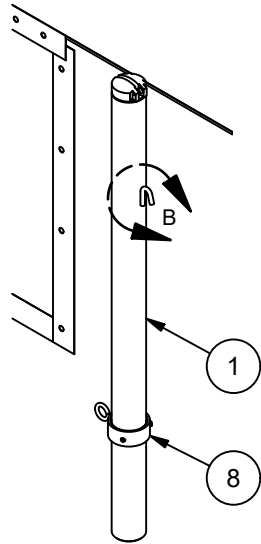
CONCRETE SPECIFIED SHOULD BE 4000# MIN.  
 CURING TIME SHOULD BE 7 DAY MIN.  
 BEFORE PUTTING INTO SERVICE.

**DETAIL A**  
 (SEE OPTIONAL FOOTING DESIGNS  
 SHEETS 3 THRU 4)

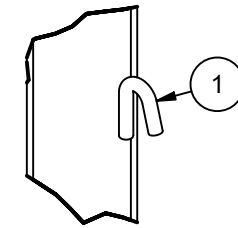
 <small>INNOVATION. PERFORMANCE AND COMMITMENT SINCE 1983</small> 976 Hartford Turnpike Waterford, CT 06385 USA (800)243-0533 Fax: (800)988-3363 www.jaypro.com	MODEL NUMBER: PPR15	CHECKED BY: WVB	
	PRODUCT NAME: OFFICIAL PICKLE-BALL		
DATE: 9/19/2017	REV: -	DRAWN BY: Moune T.	SHEET: 1 OF 5



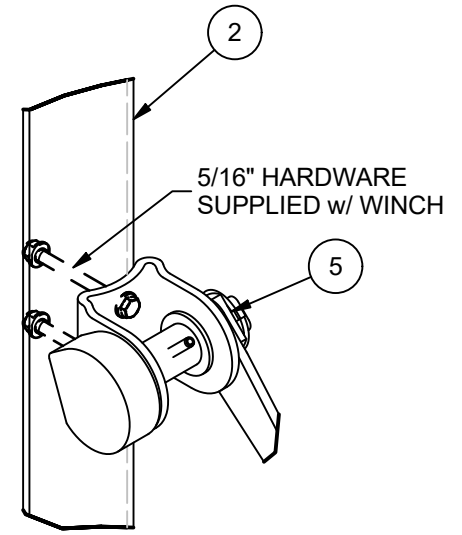
WINCH END



ANCHOR END

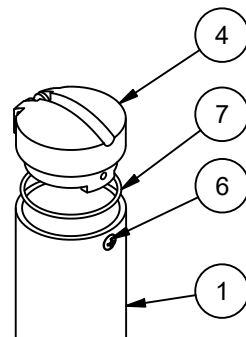


DETAIL B



DETAIL C

**CAUTION:**  
DO NOT RELEASE HANDLE UNLESS RATCHET PAWL IS PROPERLY ENGAGED. DO NOT DISENGAGE RATCHET PAWL UNLESS TENSION IS APPLIED TO HANDLE. FAILURE TO OBSERVE THESE CAUTIONS WILL CAUSE HANDLE TO SPIN OUT OF CONTROL AND COULD CAUSE PERSONAL INJURY.




FACTORY PRE-ASSEMBLED

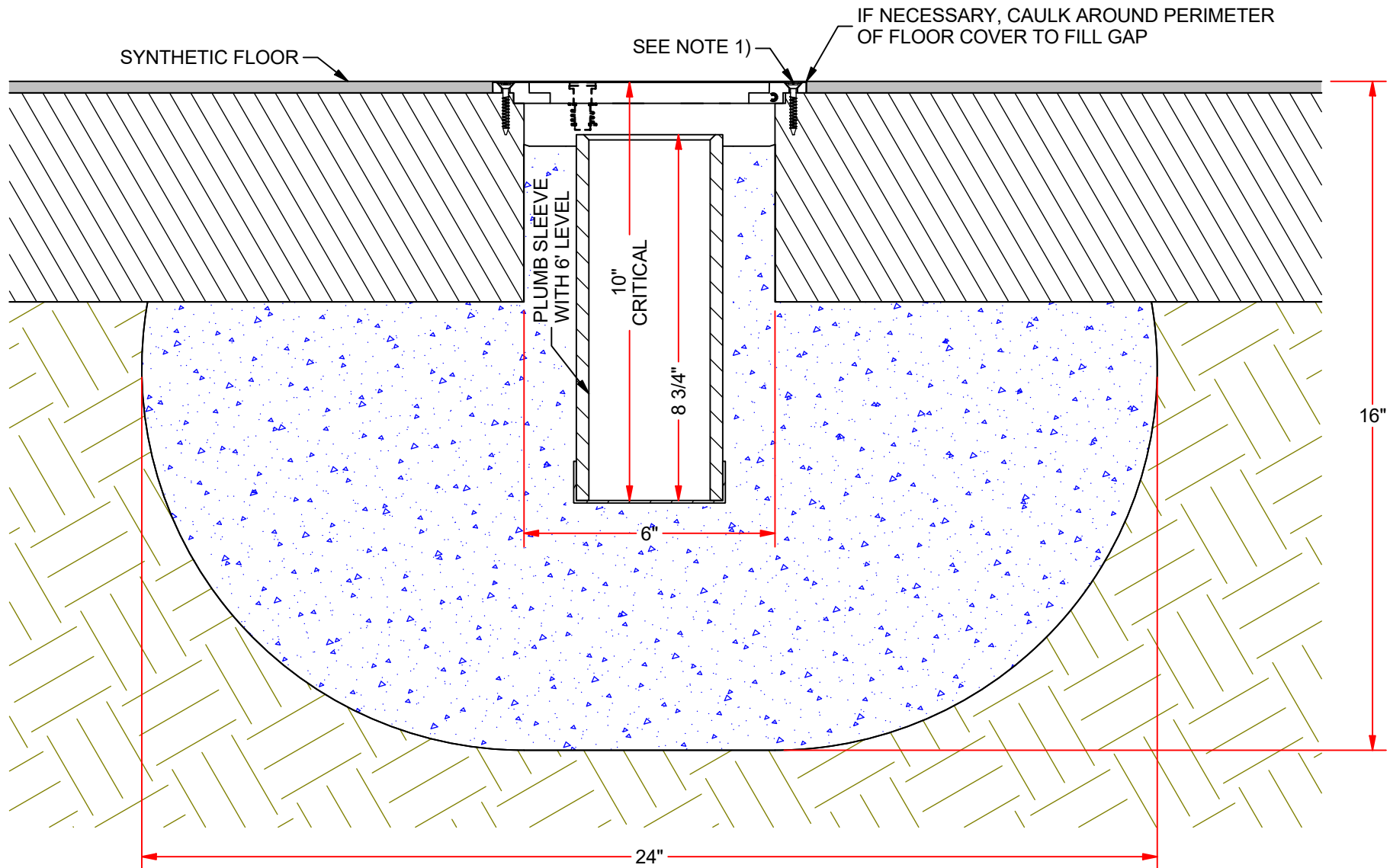
**NOTE:**

- 1) UPRIGHT POSTS POWDERED COATED EITHER BLACK OR GREEN.
- 2) PICKLEBALL CAP ITEM # 4 WILL EITHER BE CAP-10BLK (BLACK) OR CAP-10GR (GREEN)
- 3) PICKLEBALL WINCH ITEM # 5 WILL EITHER BE RT-10BLK (BLACK) OR RT-10GR (GREEN)

ITEM	QTY	PART #	DESCRIPTION
1	1	PPR15-A	PICKLEBALL WELDED POST
2	1	PPR15-B	PICKLEBALL POST
3	1	PT-21N	PICKLEBALL TENNIS NET 21' X 32" <i>(OPTIONAL)</i>
4	2	CAP-10	PICKLEBALL TENNIS CAP
5	1	RT-10	DELUXE PLATFORM TENNIS WINCH
6	2	HS5207	18-8 SS OVAL HD PHL M6 x 12mm MACH SCREW
7	2	RR5030	O-RING - EPDM 3/32" w x 1 15/16" ID
8	2	PPR10-02	2-7/8" OD PICKLEBALL COLLAR
9	2	HB5011	3/8"-16 EYE-BOLT 2 1/2" LONG
10	4	HS882	Set Screw, Socket, Flat Point - 3/8"-16 x 1/2"


*(OPTIONAL)*

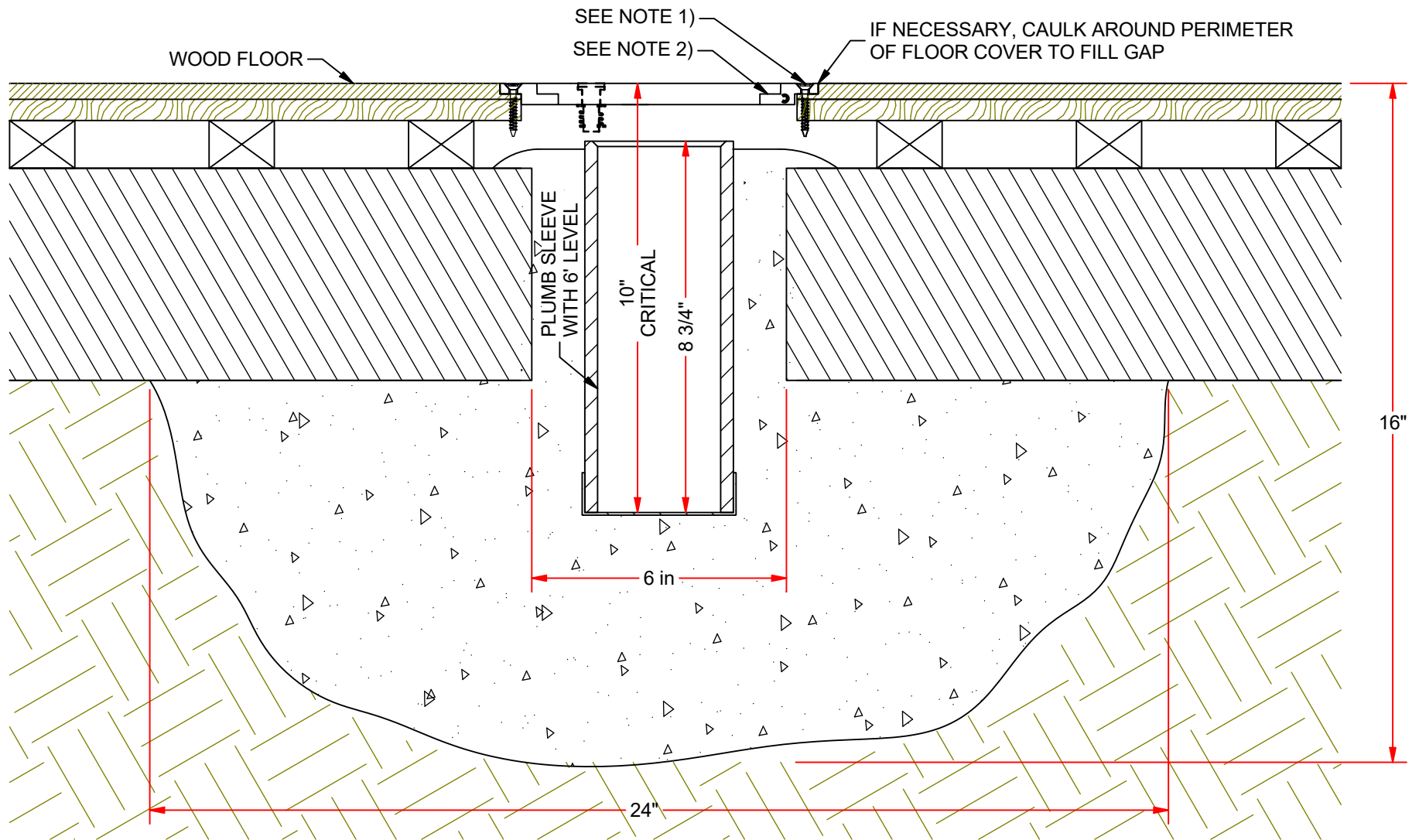
 <small>INNOVATION. PERFORMANCE AND COMMITMENT SINCE 1981</small> 976 Hartford Turnpike Waterford, CT 06385 USA (800)243-0533 Fax: (800)988-3363 www.jaypro.com	MODEL NUMBER: PPR15	CHECKED BY: WVB
	PRODUCT NAME: OFFICIAL PICKLE-BALL	
DATE: 9/19/2017	REV: -	DRAWN BY: Moune T.
		SHEET: 2 OF 5



NOTES:  
 1) THE OUTER HOLES ARE NOT UTILIZED (ONLY USED IN WOOD FLOOR APPLICATIONS).  
 IF PREFERRED, INSTALL "DUMMY" SCREWS TO THE OUTER HOLES TO GIVE A MORE FINISHED LOOK (NOT SUPPLIED).

**\*\*\* SYNTHETIC FLOOR INSTALLATION ONLY \*\*\***


 <small>INNOVATION, PERFORMANCE AND COMMITMENT SINCE 1981</small> 976 Hartford Turnpike Waterford, CT 06385 USA (800)243-0533 Fax: (800)988-3363 www.jaypro.com	MODEL NUMBER: PPR15	CHECKED BY: WVB
	PRODUCT NAME: OFFICIAL PICKLE-BALL	
DATE: 9/19/2017	REV: -	DRAWN BY: Moune T.
		SHEET: 3 OF 5



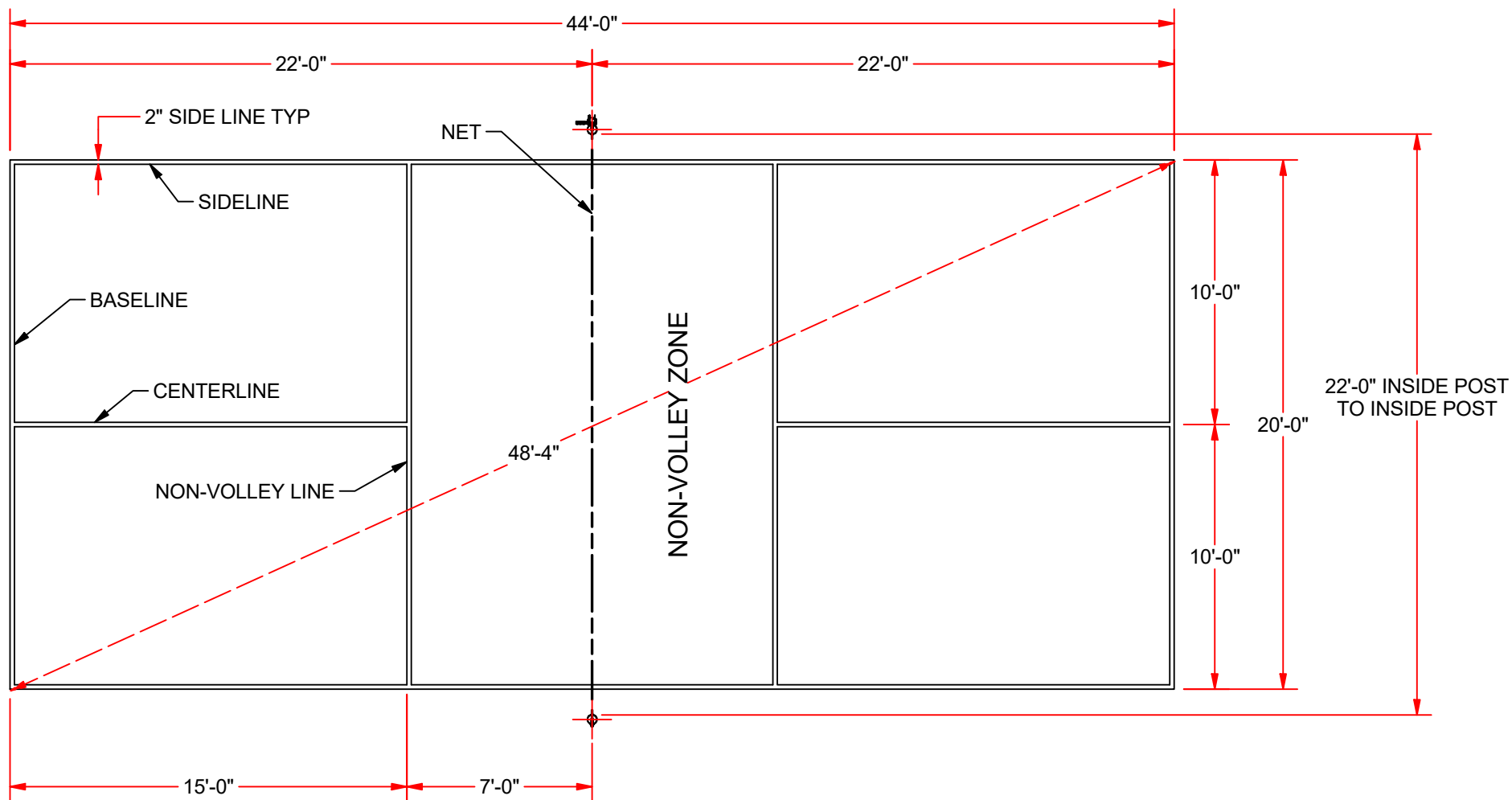
**NOTES:**


- 1) THE OUTER HOLES OF THE COVER ARE USED TO PERMANENT ANCHOR THE COVER TO THE WOOD FLOOR.
- 2) NOTE THE INNER HOLES ARE ONLY UTILIZED FOR ASSEMBLY (ONLY USED IN SYNTHETIC FLOOR APPLICATIONS). REMOVE AND DISCARD AFTER HYDRAULIC CEMENT SETS. IF PREFERRED, INSTALL "DUMMY" SCREWS TO THE INNER HOLES TO GIVE A MORE FINISHED LOOK (NOT SUPPLIED).

**\*\*\* WOOD FLOOR INSTALLATION ONLY \*\*\***

 <p>976 Hartford Turnpike Waterford, CT 06385 USA (800)243-0533 Fax: (800)988-3363 www.jaypro.com</p>	MODEL NUMBER: PPR15	CHECKED BY: WVB
	PRODUCT NAME: OFFICIAL PICKLE-BALL	
DATE: 9/19/2017	REV: -	DRAWN BY: Moune T.
		SHEET: 4 OF 5

NOTES:  
 1) ALL DIMENSIONS ARE TO THE OUTSIDE EDGES OF LINES.  
 2) LINES SHALL BE 2" WIDE.



 <small>INNOVATION. PERFORMANCE AND COMMITMENT SINCE 1983</small> 976 Hartford Turnpike Waterford, CT 06385 USA (800)243-0533 Fax: (800)988-3363 www.jaypro.com	MODEL NUMBER: PPR15	CHECKED BY: WVB
	PRODUCT NAME: OFFICIAL PICKLEBALL COURT LAYOUT	
DATE: 9/19/2017	REV: -	DRAWN BY: Moune T.
		SHEET: 5 OF 5