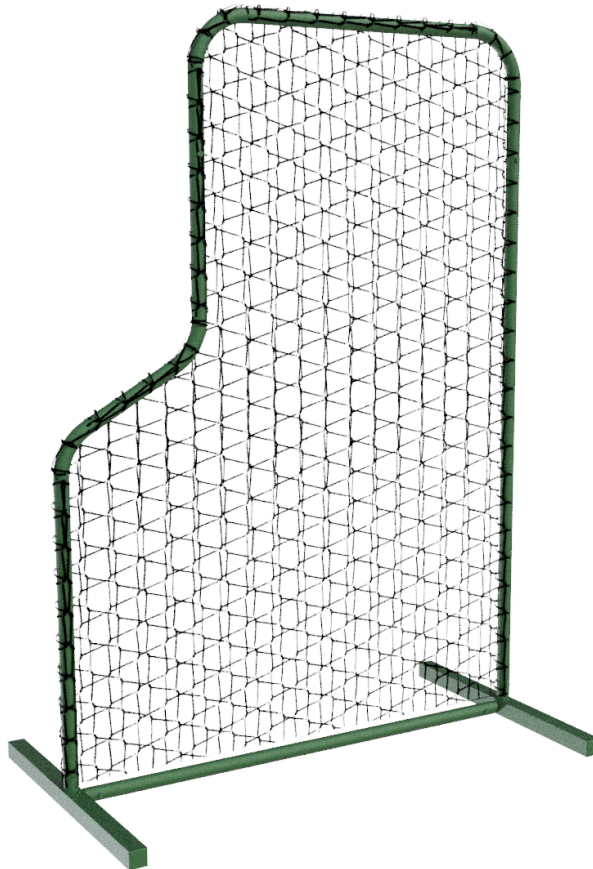




Model PS-75

7' x 5' Short Sided Pitcher's Screen



INTRODUCTION

These instructions outline the assembly and use of the **Pitcher's Screen Model PS-75**. If you need additional information or support in the assembly and use of the Pitcher's Screen you can reach the Jaypro Sports customer support team, Monday through Friday, 8:00 AM to 5:00 PM Eastern time at 800-243-0533.

Replacement nets are available through your dealer or by calling Jaypro Sports.

SAFETY

All netting deteriorates through use and exposure to the elements. For safe operation and continued high performance from this equipment, inspection and maintenance must be performed before each use. Inspect the net for broken mesh, tears, or other signs of weakness. Questionable nets should be immediately removed from service and replaced.

Use of this equipment other than intended, may be hazardous. Alteration or modification of equipment may be hazardous. For repair or replacement, please call your dealer or Jaypro Sports.

EQUIPMENT AND MATERIALS

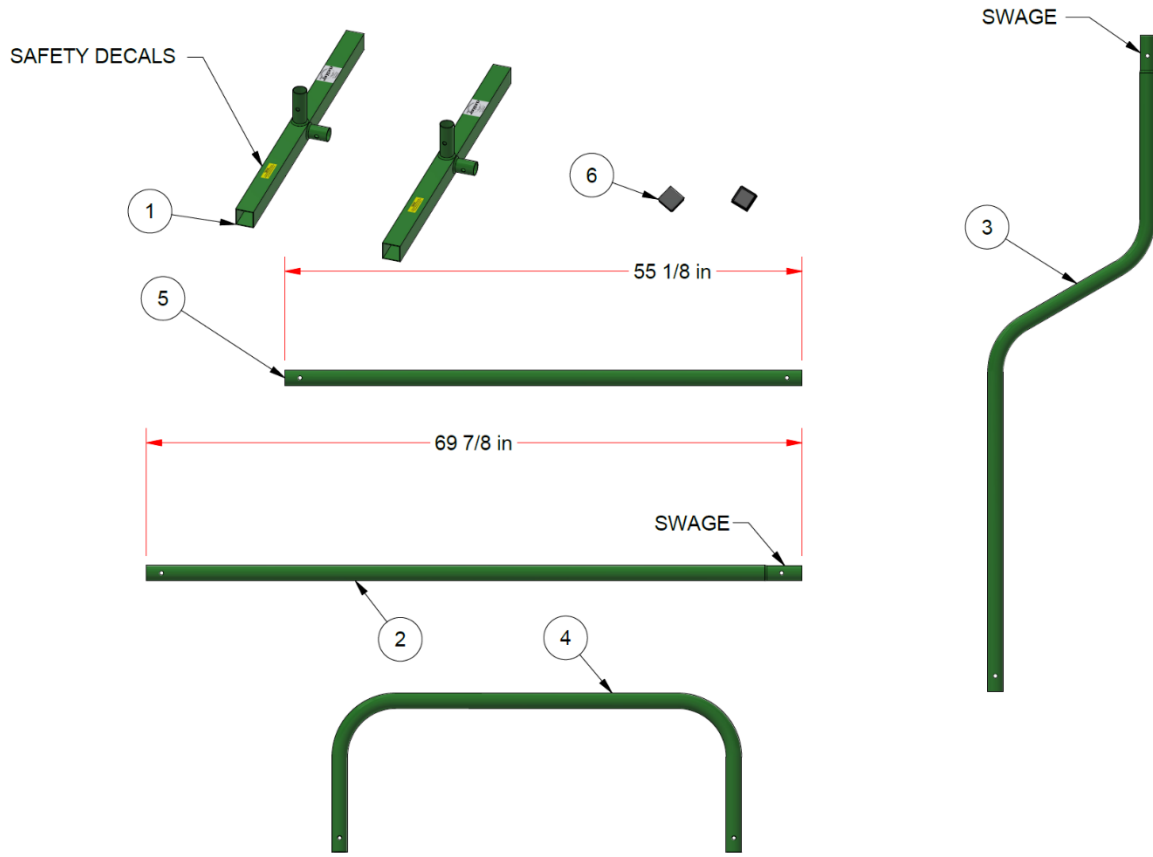
- Allen Wrenches
- Wrench Set
- Optional-Loctite Thread Lock
- Wrench Set
- Rubber Mallet

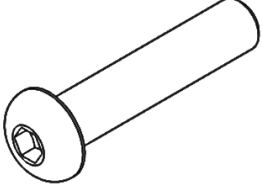
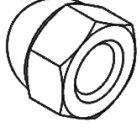
BEFORE YOU START

Check to confirm that you're Pitcher's Screen has shipped with all hardware. If any hardware or components are missing, contact the Jaypro Customer Support Team.

ITEM	QTY	DESCRIPTION
1	2	LEG BASE
2	1	BASE PIPE
3	1	UPRIGHT
4	1	TOP CROSSBAR
5	1	LOWER UPRIGHT
6	2	TUBE CAP
7	1	NET
8	6	3/8"-16 x 2" BUTTON SCREW
9	6	3/8"-16 ACORN NUT

PARTS IDENTIFICATION



 <p>ITEM 8 3/8"-16 x 2" <i>BUTTON SCREW</i></p>	 <p>ITEM 9 3/8"-16 <i>ACORN NUT</i></p>
---	--

ASSEMBLY

1. Lay out frame pipes as shown in **Figure 1** and assemble together by using fasteners shown in **Figure 2** Loctite may be used on these screws to ensure assembly. Important, the tee fittings slide onto the pipes as shown in **Figure 1**.
2. Once the frame is completely assembled, fully tighten all fasteners.
3. Slip net onto frame.
4. Push end plugs into leg base see **Figure 1** Use rubber mallet if necessary.

Figure 1 Model PS-75 Included Components and Hardware

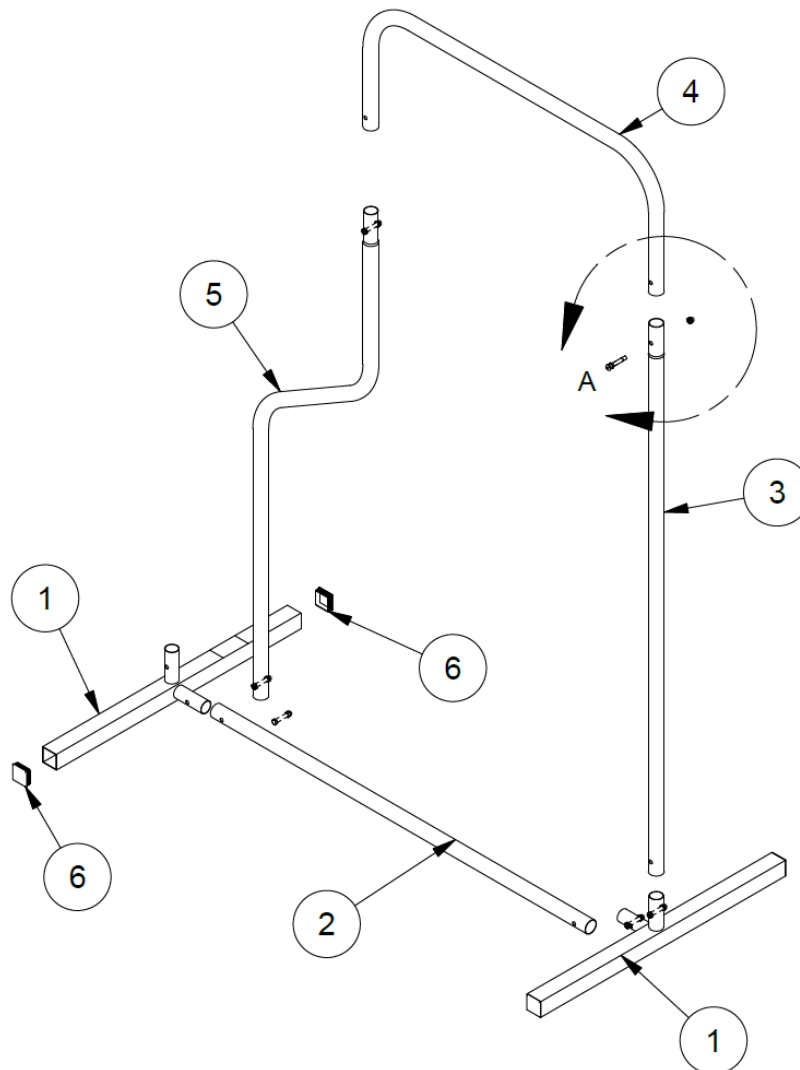


Figure 2 TYPICAL HARDWARE CONNECTION

