



JAYPRO CARBON ULTRALITE 3-1/2" OD NET SYSTEM

Installation and Operating Instructions



Applicable Part Numbers/Models:

PVB-9000: Carbon Ultralite 3-1/2" System

Table of Contents

| | | |
|---|--|----|
| 1 | Safety | 2 |
| 2 | Specifications | 2 |
| 3 | Introduction | 2 |
| 4 | Required Tools | 3 |
| 5 | Included Hardware & Components | 4 |
| | 5.1 System Components (ACCESSORIES MAY VARY) | 4 |
| | 5.2 Hardware | 5 |
| 6 | Assembly | 6 |
| 7 | Maintenance | 10 |

1 Safety

- **WARNING:** Do not attempt to remove the height adjuster pin if the net is under tension.
- **WARNING:** Always use protective padding around each upright during use.
- **IMPORTANT:** Follow all warning labels on equipment.
- **IMPORTANT:** Inspect for damage before and after each use.

2 Specifications

| | OUTER DIAMETER | HEIGHT RANGE | # OF POSITIONS | TOTAL WEIGHT | UPRIGHT MATERIAL |
|----------|------------------|---|----------------|------------------|------------------|
| PVB-9000 | 3-1/2" (89mm) | 6'6" to 8'2" ± 1.5"* (2.0m to 2.5m± 4cm) | 8 Pin Stops | 34 lbs (13kg) | Carbon Composite |

*Greater adjustability can be ordered upon request to accommodate deeper floor sleeves

3 Introduction

These instructions assume that the appropriate ground sleeves have been correctly installed:

- The inside bottom surface of the ground sleeves must be 10" below ground level (Figure 3-1).
- The PVB-9000 standards will fit most 3-1/2" inner diameter ground sleeves (or 4" ID sleeves with adapter).
- The bottom 10 inches of the standards have been covered with an outer layer to improve fit in most ground sleeves. If fit is too tight, cut outer layer with knife and remove.
- The volleyball net (PVBN-5) will work with ground sleeves spaced 35' to 37' apart on center¹.

Please consult the instructions and specifications supplied with your ground sleeves for more information.

If you require additional information or support to install or operate your volleyball system, please contact the Jaypro Sports customer support team, Monday through Friday, 8:30AM to 5:00 PM (EST), at 1-800-243-0533.

¹ NCAA and NFHS rules require that the upright standards must be installed at least 3'3" (1m) outside the court boundaries. Jaypro recommends 36' spacing on center to satisfy both regulations.

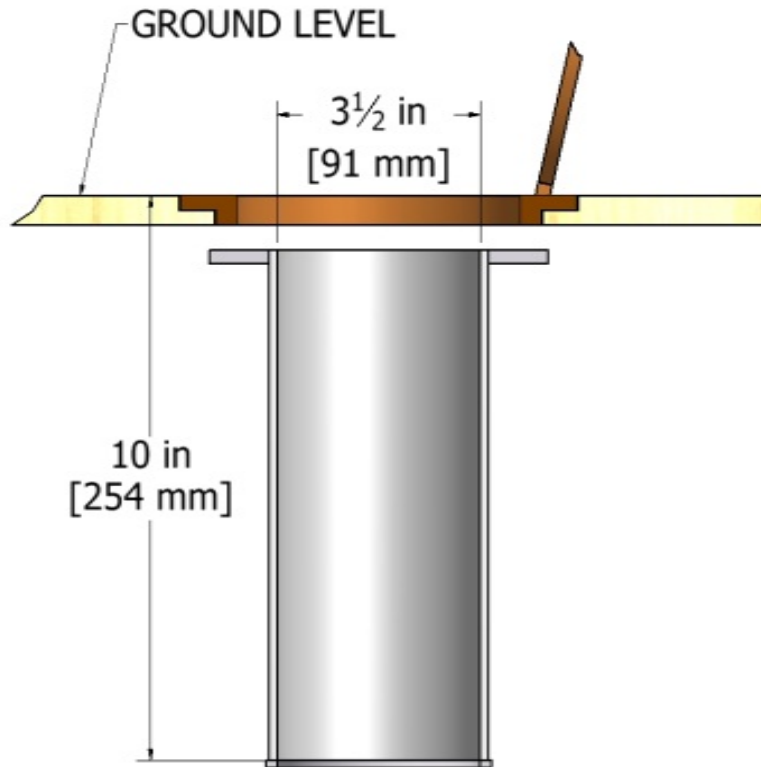


Figure 3-1: Correct Ground Sleeve Dimensions

4 Required Tools

Before continuing, please verify that you have the following tools required to complete the installation and setup of your LadyPro Carbon System.

- Adjustable wrench
- Hex keys – 3/16", 5/16"

5 Included Hardware & Components

Before continuing, please open all packages to verify that you have all the required hardware for installation and setup. If any of the following items are missing, contact the Jaypro Sports customer support team, Monday through Friday, 8:30AM to 5:00 PM (EST), at 1-800-243-0533.

5.1 System Components (ACCESSORIES MAY VARY)



Figure 5-1: Winch End Upright (1X)



Figure 5-2: Dead End Upright (1X)



Figure 5-4: Winch with strap (PVBWINCH, 1X).

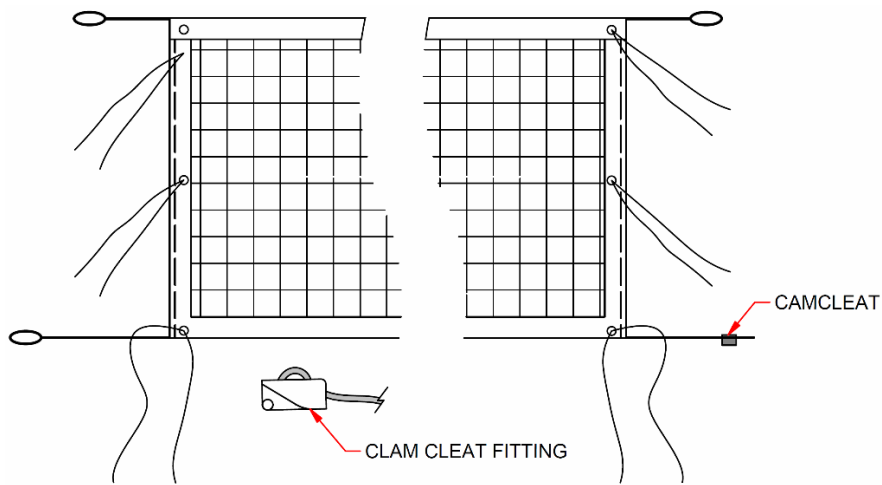


Figure 5-5: Volleyball-Net (PVBN-5, 1X)



Figure 5-6: Antennae and Net Tapes (VBA-80, 1 pair)



Figure 5-7: Anchor Strap (PVB-604, 1X)

5.2 Hardware



Figure 5-9: Button-Head Cap Screw (HS5201, 1X)



Figure 5-10: Acorn Nut (HN809, 1X)



Figure 5-3: Spacer Bearing (HM6117, 1X)



Figure 5-4: Spacer Bearing (HM5013, 1X)

6 Assembly

1. Install each upright into the ground sleeves.

* The bottom 10 inches of the standards have been covered with an outer layer to improve fit in most ground sleeves. If fit is too tight, cut outer layer with knife and remove.

2. Follow instructions included with winch to set the winch clamp to the correct upright diameter (3.5").

3. Install winch to one upright using the socket cap screw and acorn nut (Figure 6-1, items 1 & 2).

4. Fasten the clamp together using the cap screws supplied with the winch (Figure 6-1, item 4-1).

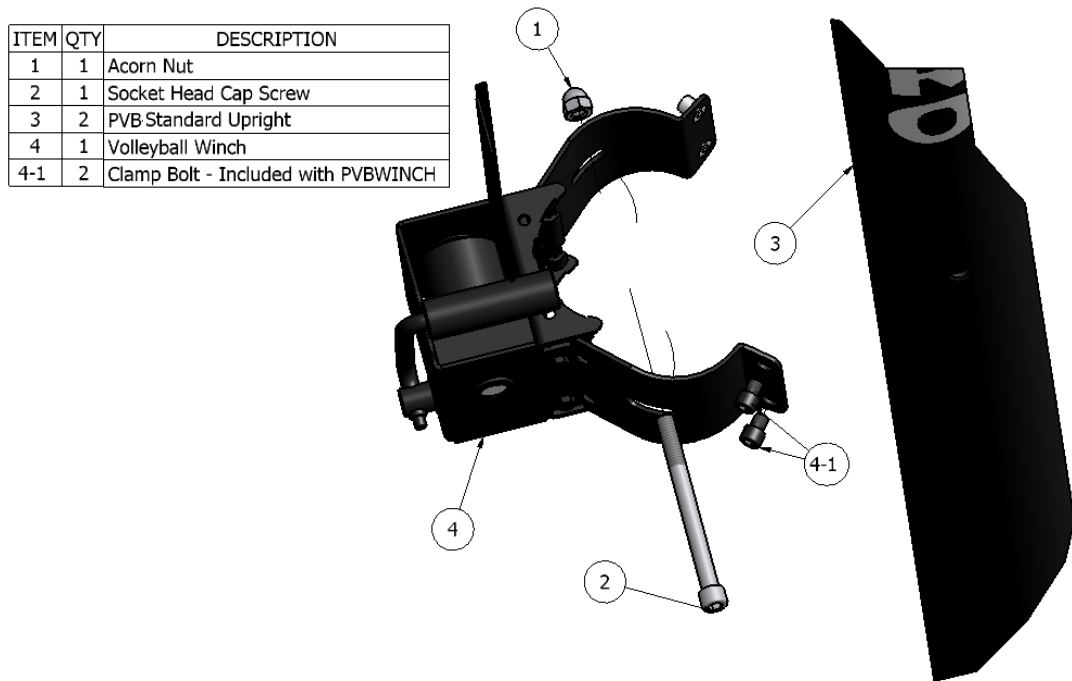


Figure 6-1: Winch installation.

5. Install the anchor strap to the upright without the winch (Figure 6-2).

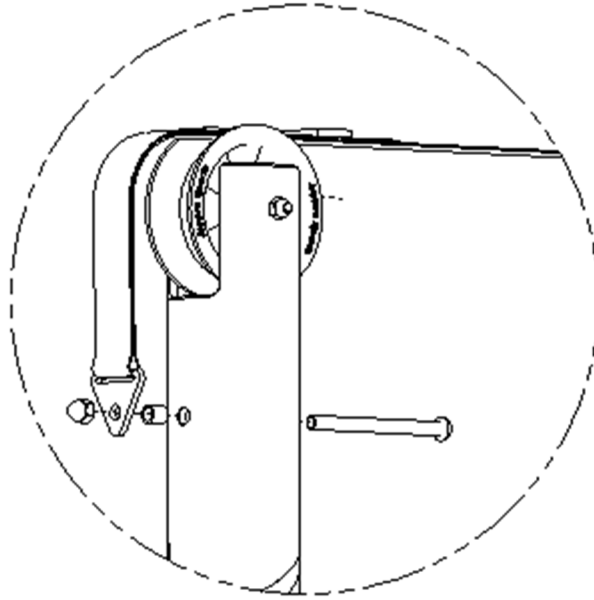


Figure 6-2: Install anchor strap.

6. Set the height of the uprights using the installed height adjust pin (Figure 6-3).
WARNING: Do not attempt to remove the height adjuster pin if the net is under tension.

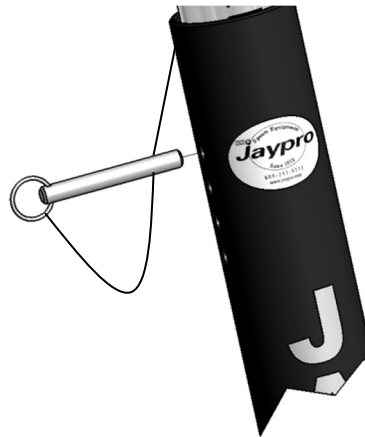


Figure 6-3: Set upright height.

7. Attach one end of net to anchor strap, then attach other end to winch strap (Figure 6-4).

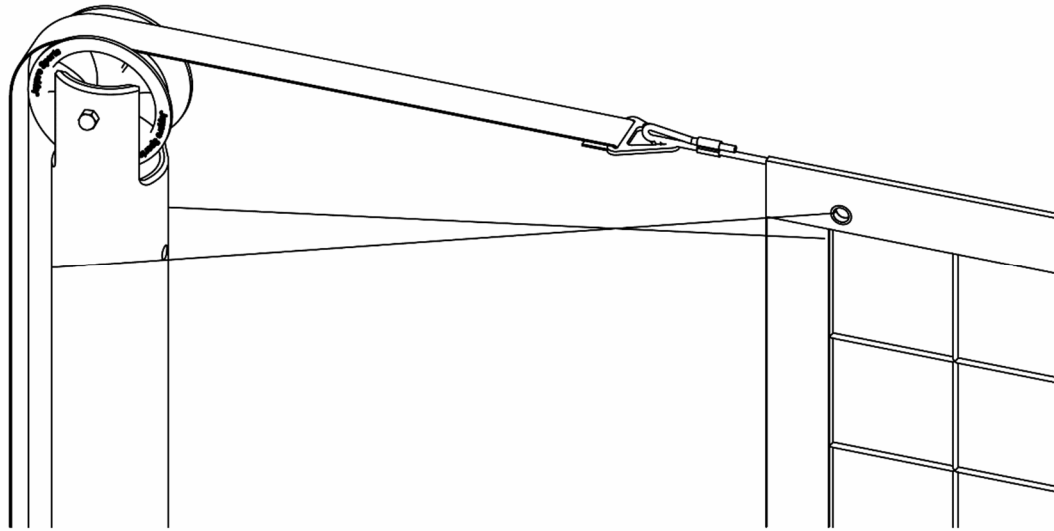
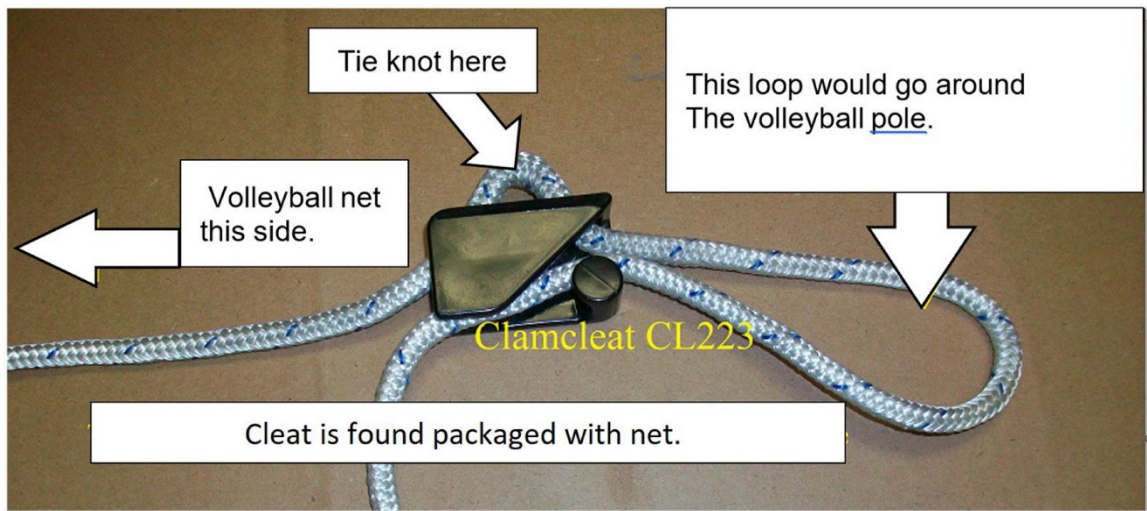
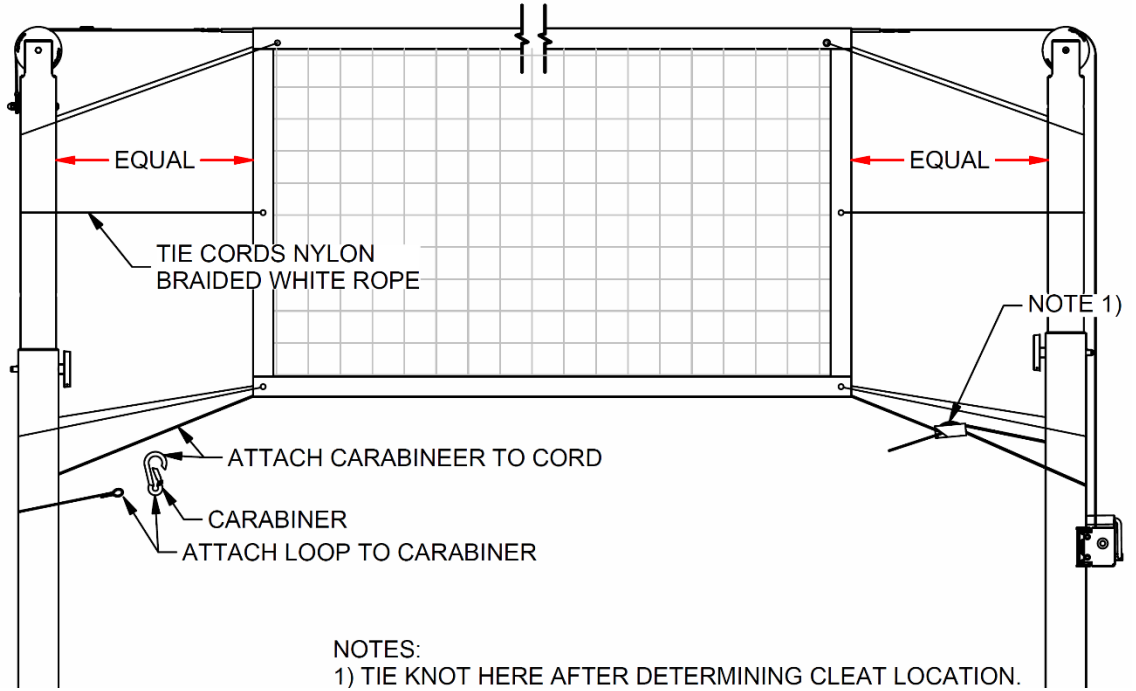


Figure 6-4: Attach net to straps.

8. Adjust the length of the anchor strap as necessary to center net on court.
9. Tension the net by turning the winch handle clockwise². Adjust anchor strap as necessary to keep net centered.
10. Verify net heights and net centering. The uprights will deflect inward and downward due to net tension; you may need to adjust their heights and/or re-center the net. **WARNING: Release tension from the net before removing height adjust pin.**
11. Attach net antennae and tapes according to instructions included with antennae set.
12. Attach side net, cam cleat and bottom cables to uprights as shown on next page.

² NCAA and NFHS rules stipulate that there be no more than 3/4" of sag in the net headband when fully tensioned.



13. Install pads around each upright.

7 Maintenance

Your UltraLite Carbon Volleyball System is designed to provide years of play; however, it is recommended that the components be inspected at least once every season, for signs of excessive wear. Key areas to inspect include (but are not limited to):

- Strap webbing
- Net & D-Rings
- Winch mechanism
- Screws and nuts

If you require additional information or support maintaining your volleyball system, please contact the Jaypro Sports customer support team, Monday through Friday, 8:30AM to 5:00 PM (EST), at 1-800-243-0533.