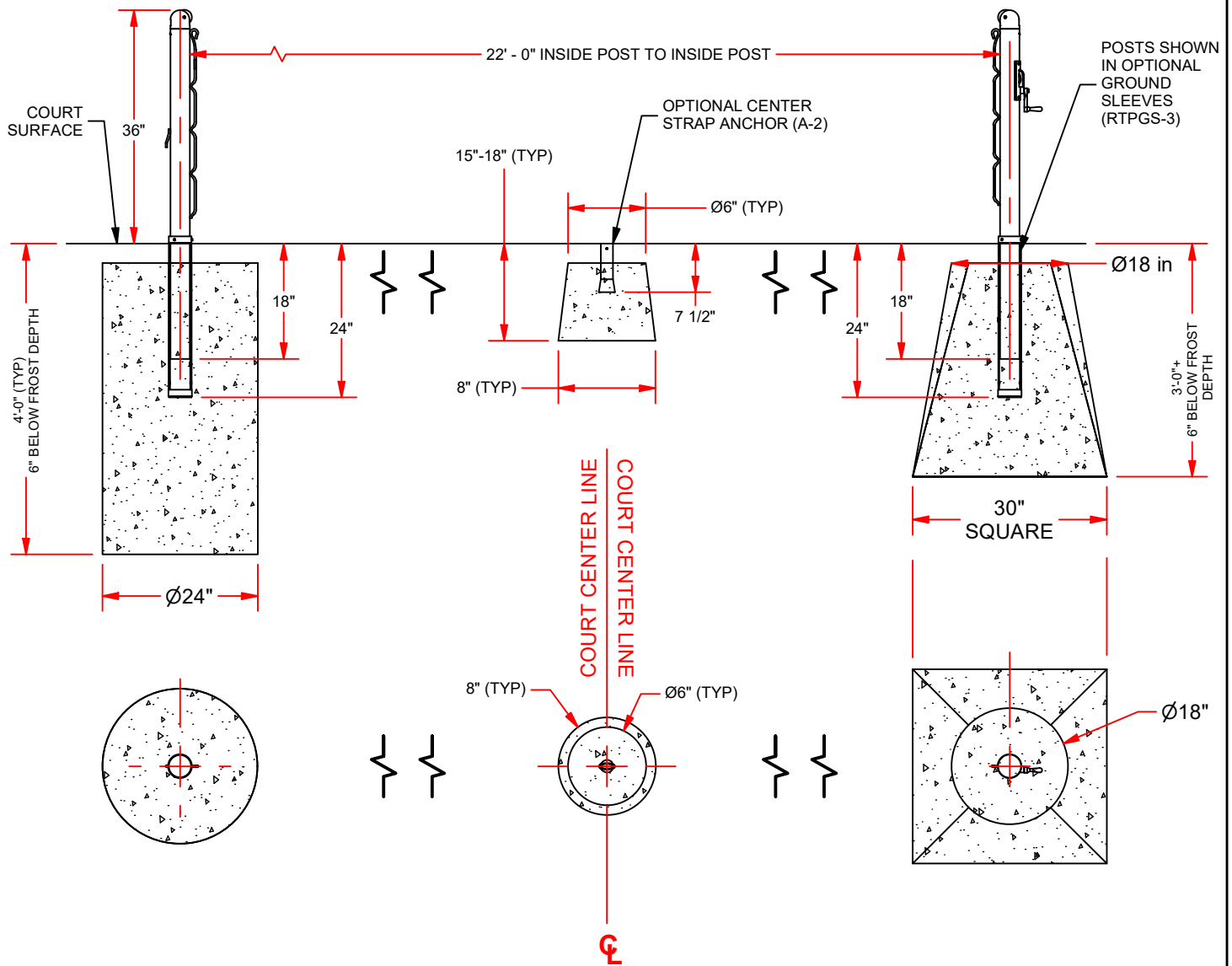


PKB300 - FOOTING DETAILS



NOTES:

- FOOTINGS FOR POSTS MAY BE PYRAMID OR CYLINDER SHAPE.
- FOUNDATION DEPTH AND WIDTH MAY VARY - ABOVE SPECIFICATIONS ARE APPROXIMATE AND FOOTINGS SHOULD BE POURED AS NEEDED FOR LOCAL SOIL AND FROST CONDITIONS.
- CONCRETE SHOULD BE 4000 PSI COMPRESSIVE STRENGTH MINIMUM.
- CURING TIME SHOULD BE 7 DAYS MINIMUM BEFORE PUTTING INTO SERVICE.
- FOR SAFE OPERATION AND CONTINUED HIGH PERFORMANCE FROM THIS EQUIPMENT, INSPECTION AND MAINTENANCE MUST BE PERFORMED BEFORE EACH USE.
- USE OF THIS EQUIPMENT OTHER THAN INTENDED MAY BE HAZARDOUS.
- ALTERATION OR MODIFICATION OF EQUIPMENT MAY BE HAZARDOUS. FOR REPAIR OR REPLACEMENT, PLEASE CALL JAYPRO SPORTS AT 1-800-243-0533.



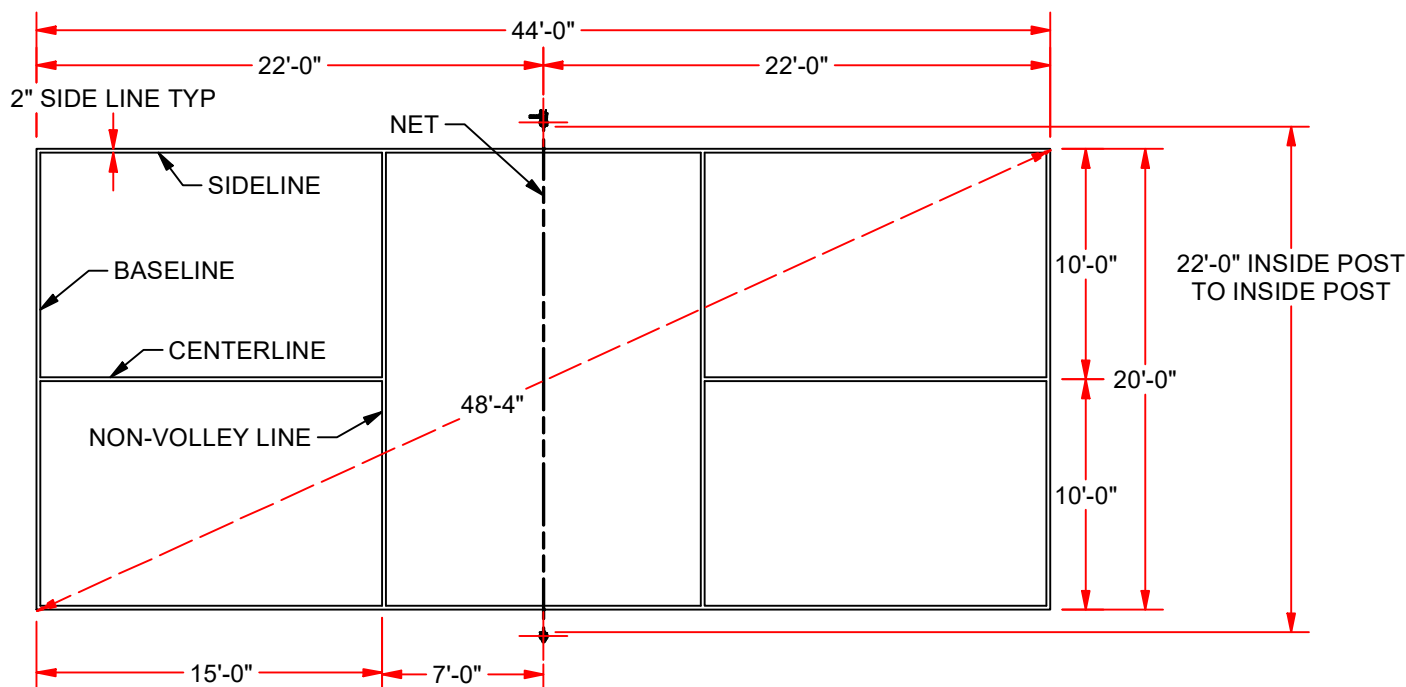
PKB300

www.jayprosports.com / (800) 243-0533 / 976 Hartford Tpke, Waterford, CT 06385 USA

SUBJECT TO CHANGES IN DESIGN AND MANUFACTURING
© COPYRIGHT 2022 JAYPRO SPORTS, LLC. ALL RIGHTS RESERVED

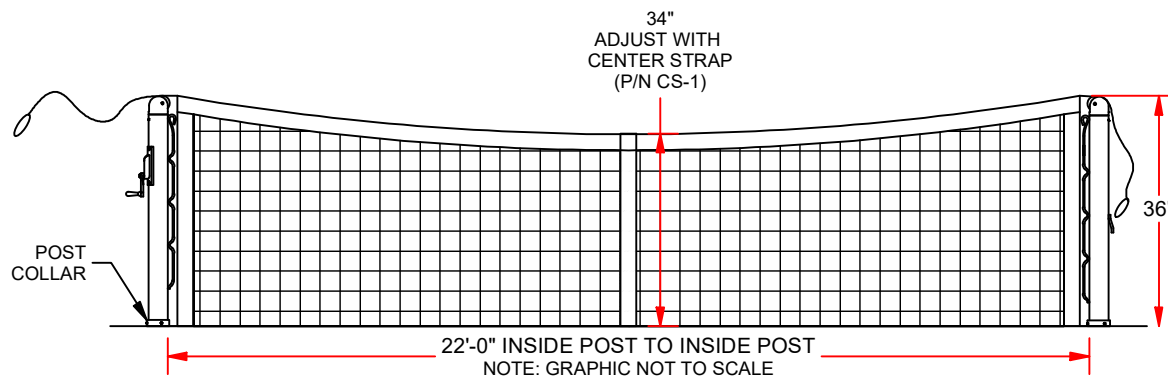
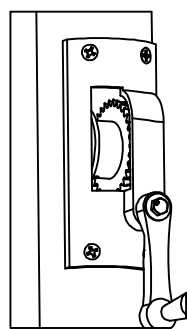
Sheet 1 of 2

PKB300 - COURT LAYOUT AND NET INSTALL



NOTES:

- ALL DIMENSIONS ARE TO OUTSIDE EDGE OF LINES.
- ALL LINES SHALL BE 2" WIDE



NET INSTALLATION:

1. ADJUST HEIGHT TO 36" WITH POST COLLAR.
2. CUT OFF LOOP AT ONE END OF TOP NET CABLE AND GUIDE OVER OVER PULLEY OF WINCH POST.
3. GUIDE CABLE INTO WINCH HOUSING AND INSERT THROUGH HOLE IN WINCH WHEEL.
4. ENSURE PULLEY WHEEL AT TOP OF EACH POST IS PERFECTLY LINED UP WITH NET CABLE.
5. ATTACH LOOP ON OTHER END OF NET CABLE TO HOOK ON OUTSIDE OF STATIC POST.
6. TURNING THE HANDLE CLOCKWISE, TIGHTEN CABLE SO CENTER OF NET IS APPROXIMATELY 39". DO NOT OVER TIGHTEN.
7. CENTER NET AND TIE OFF HEAD BAND ROPES AROUND EACH POST.
8. LACE NET SIDE BANDS TO POSTS USING BLACK LACING CORD THROUGH GROMMETS AND NET RAILS ON SIDES OF POSTS.
9. IF USING CENTER STRAP (CS-1) ADJUST HEIGHT AT CENTER TO 34".



PKB300

www.jayprosports.com / (800) 243-0533 / 976 Hartford Tpke, Waterford, CT 06385 USA

SUBJECT TO CHANGES IN DESIGN AND MANUFACTURING
© COPYRIGHT 2022 JAYPRO SPORTS, LLC. ALL RIGHTS RESERVED