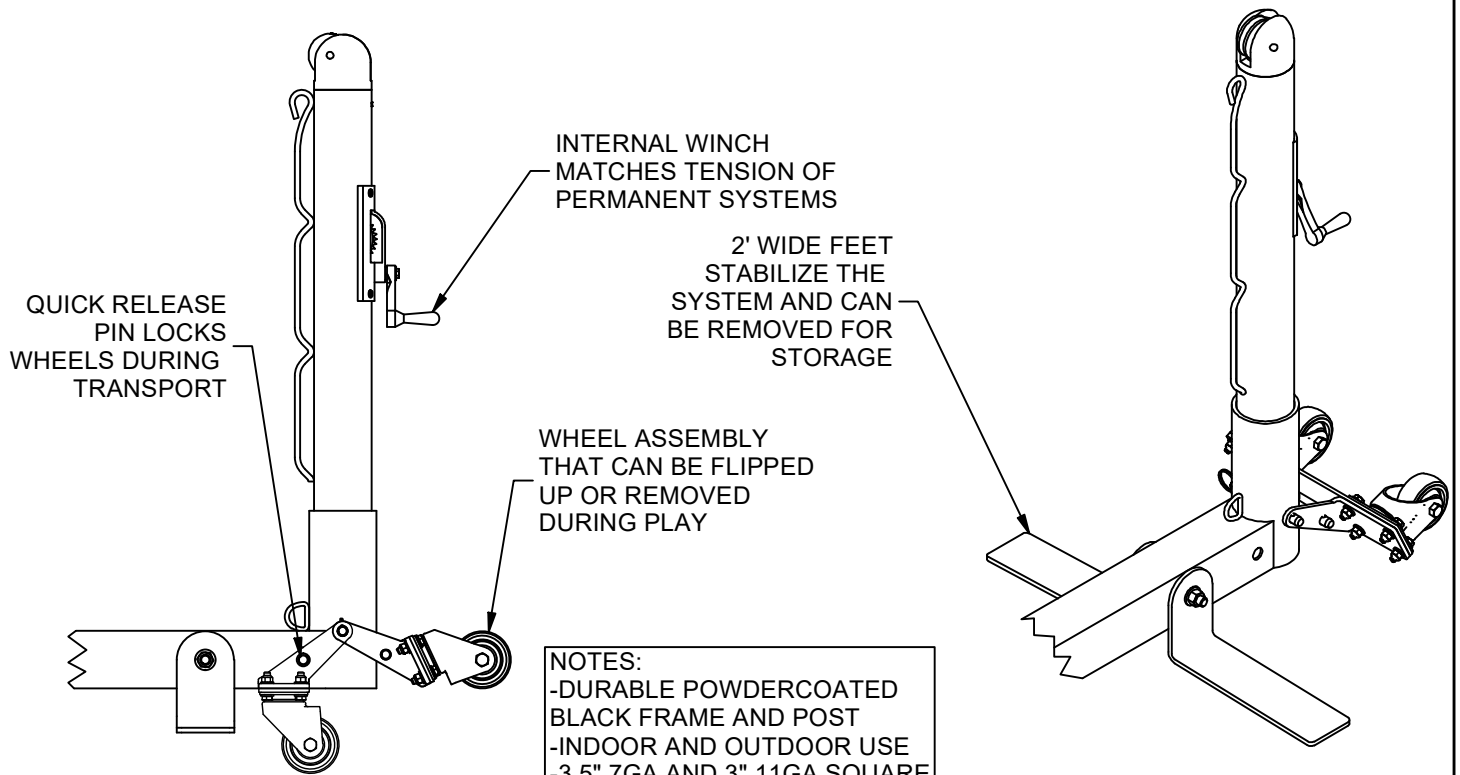
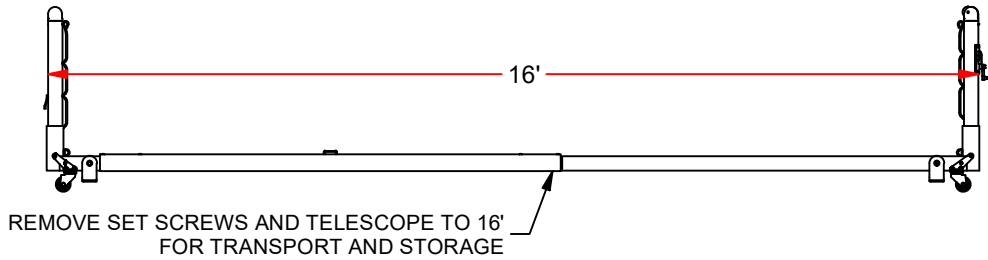
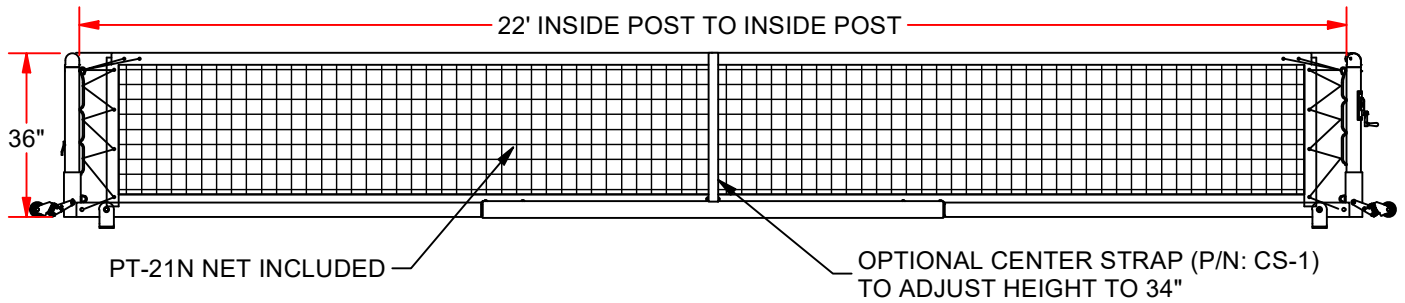


# RPP-3PORT



**NOTES:**  
-DURABLE POWDERCOATED BLACK FRAME AND POST  
-INDOOR AND OUTDOOR USE  
-3.5" 7GA AND 3" 11GA SQUARE STEEL FRAME  
-REMOVABLE 3" ROUND STEEL POSTS  
-DO NOT REFERENCE FOR ASSEMBLY OR USE INSTRUCTIONS. SEE INSTALLATION PACKET.



## RPP-3PORT

USAP COMPLIANT PORTABLE PICKLEBALL SYSTEM

© COPYRIGHT 2022 JAYPRO SPORTS, LLC. ALL RIGHTS RESERVED THIS PRINT IS THE PROPERTY OF JAYPRO SPORTS, LLC. AND MAY NOT BE REPRODUCED WITHOUT WRITTEN PERMISSION

[www.jayprosports.com](http://www.jayprosports.com)  
(800) 243-0533  
976 Hartford Turnpike  
Waterford, CT 06385 USA

Rev:

SHEET 1 OF 1