
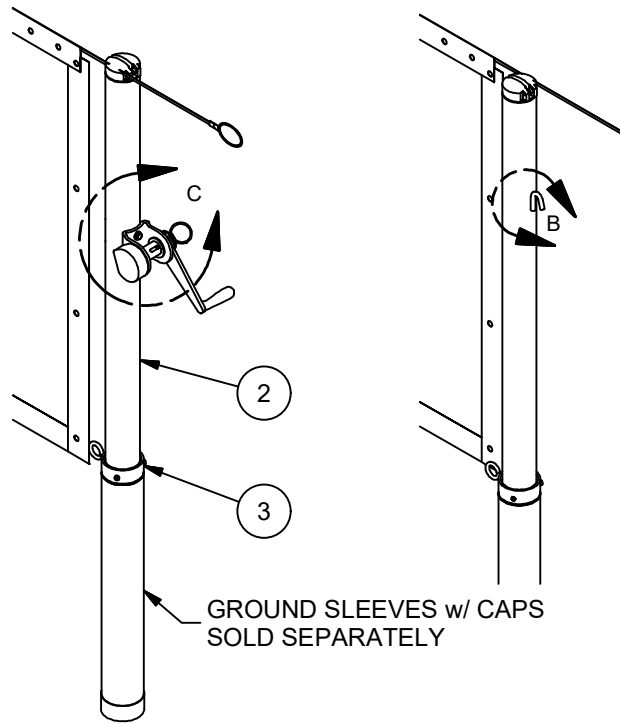


**PLEASE NOTE:**

- 1) FOR SAFE OPERATION AND CONTINUED HIGH PERFORMANCE FROM THIS EQUIPMENT, INSPECTION AND MAINTENANCE MUST BE PERFORMED BEFORE EACH USE.
- 2) USE OF THIS EQUIPMENT OTHER THAN INTENDED, MAY BE HAZARDOUS.
- 3) ALTERATION OR MODIFICATION OF EQUIPMENT MAY BE HAZARDOUS. FOR REPAIR OR REPLACEMENT, PLEASE CALL YOUR DEALER.

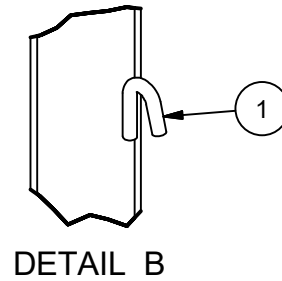
 <small>INNOVATION. PERFORMANCE AND COMMITMENT SINCE 1983</small> 976 Hartford Turnpike Waterford, CT 06385 USA (800)243-0533 Fax: (800)988-3363 www.jaypro.com	MODEL NUMBER: RTP-278	CHECKED BY: WVB	
	PRODUCT NAME:  2 7/8" TENNIS POSTS		
DATE: 11/21/2017	REV: -	DRAWN BY: Moune T.	SHEET: 1 OF 5



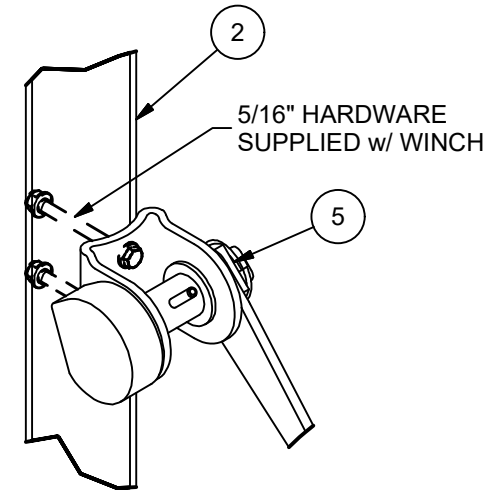
WINCH END

ANCHOR END

GROUND SLEEVES w/ CAPS  
SOLD SEPARATELY

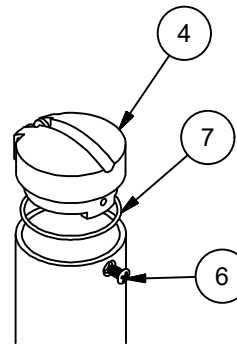


DETAIL B



DETAIL C

**CAUTION:**  
DO NOT RELEASE HANDLE UNLESS RATCHET PAWL IS PROPERLY ENGAGED. DO NOT DISENGAGE RATCHET PAWL UNLESS TENSION IS APPLIED TO HANDLE. FAILURE TO OBSERVE THESE CAUTIONS WILL CAUSE HANDLE TO SPIN OUT OF CONTROL AND COULD CAUSE PERSONAL INJURY.



FACTORY PRE-ASSEMBLED

**NOTE:**

- 1) ITEM #1 & 2 WILL EITHER BE POWDERED BLACK (RTP-278BK) OR GREEN (RTP-278).
- 2) TENNIS CAP ITEM # 4 WILL EITHER BE CAP-10BLK OR CAP-10GR
- 3) TENNIS WINCH ITEM 5 WILL EITHER BE RT-10BLK OR RT-10GR

ITEM	QTY	PART #	DESCRIPTION
1	1	RTP-278-AA	TENNIS WELDED POST
3	2	PPR10-B	PICKLEBALL COLLAR ASSEMBLY(OPTIONAL)
2	1	RTP-278-01	TENNIS POST (OPTIONAL)
4	2	CAP-10	PICKLEBALL TENNIS CAP
5	1	RT-10	DELUXE PLATFORM TENNIS WINCH
6	2	HS5207	18-8 SS OVAL HD PHL M6 x 12mm MACH SCREW
7	2	RR5030	O-RING - EPDM 3/32" w x 1 15/16" ID

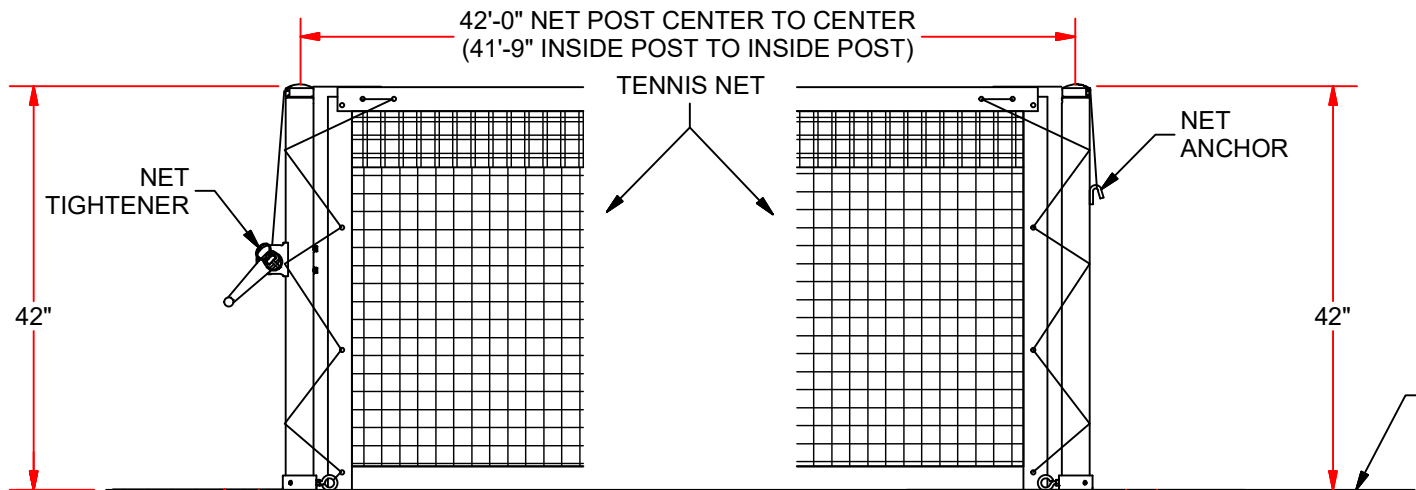


976 Hartford Turnpike  
Waterford, CT 06385 USA  
(800)243-0533 Fax: (800)988-3363  
www.jaypro.com

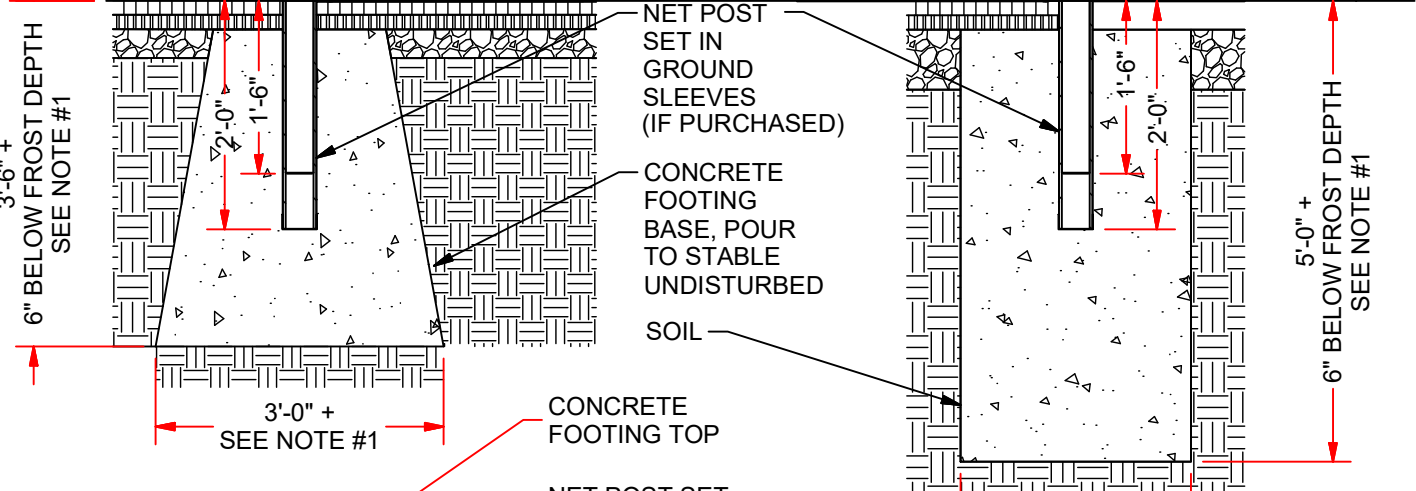
MODEL NUMBER: RTP-278  
CHECKED BY: WVB

PRODUCT NAME:  
2 7/8" TENNIS POSTS

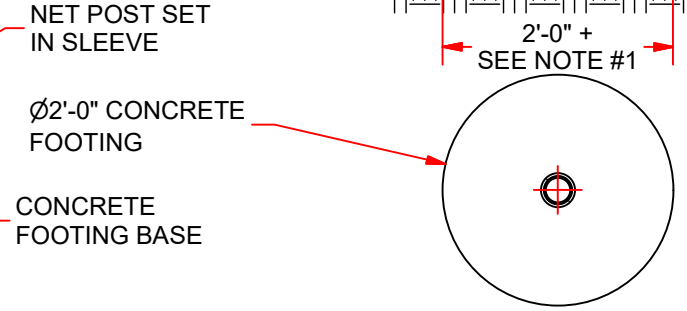
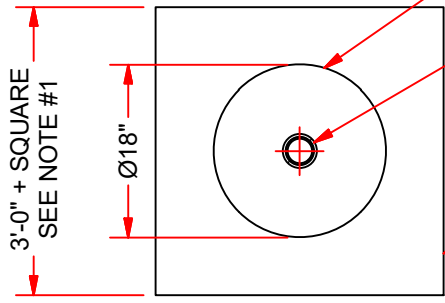
DATE: 11/21/2017  
REV: -  
DRAWN BY: Mouné T.  
SHEET: 2 OF 5




OTHER NET POST LOCATIONS:  
 33'-0"  $\pm$  TO  $\pm$  78' SINGLES COURT  
 33'-0"  $\pm$  TO  $\pm$  60' DOUBLES COURT  
 42'-0"  $\pm$  TO  $\pm$  78' DOUBLES COURT

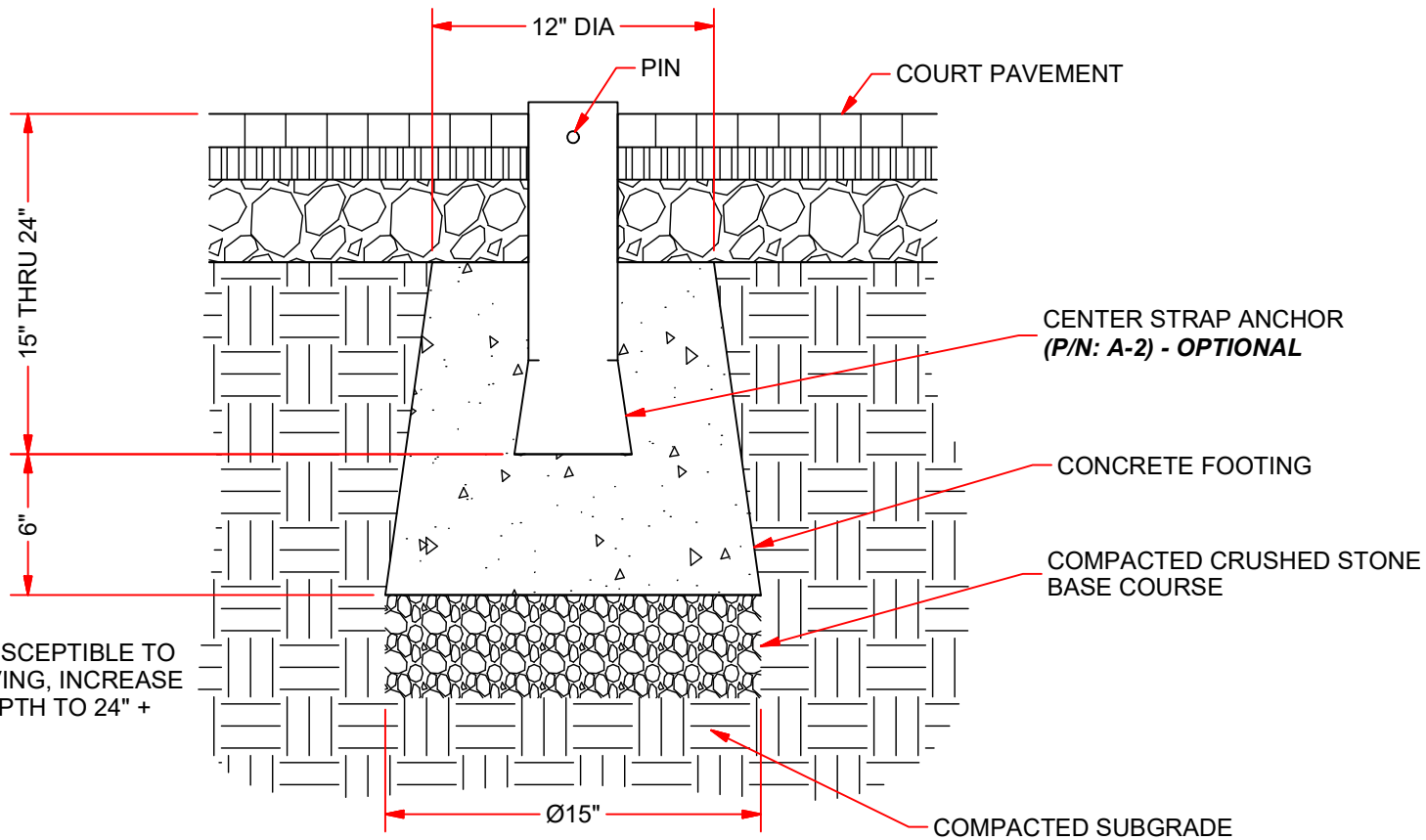


\*FOOTINGS FOR POSTS MAY BE ROUND, SQUARE OR ROUND AT THE TOP TAPERING TO A SQUARE BOTTOM. ROUND FOOTINGS SHOULD BE DUG DEEPER TO PROVIDE THE SAME STABILITY AS FOOTINGS WITH A SQUARE OR TAPERED SQUARE BOTTOM.

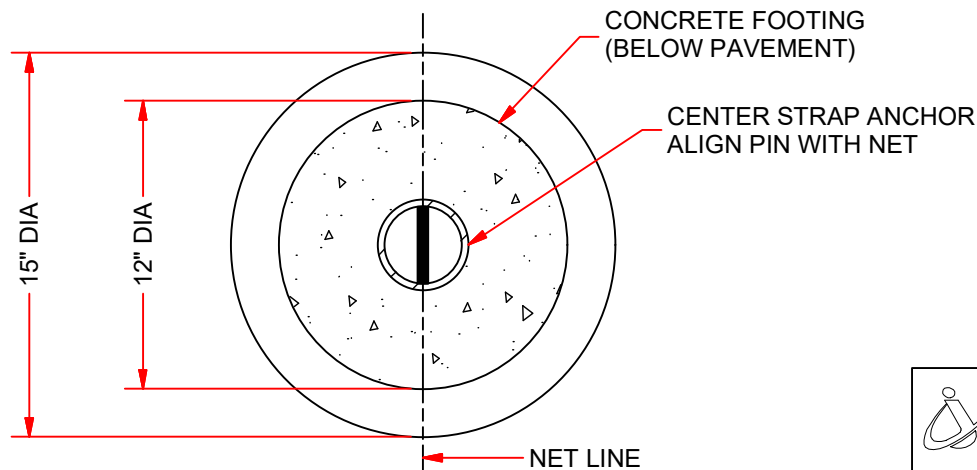


NOTE #1: FOUNDATION DEPTH & WIDTH SHALL VARY WITH THE SOIL TYPE

 976 Hartford Turnpike Waterford, CT 06385 USA (800)243-0533 Fax: (800)988-3363 www.jaypro.com	MODEL NUMBER: RTP-278	CHECKED BY: WVB
	PRODUCT NAME: 2 7/8" TENNIS NET POST FOOTINGS	
DATE: 11/21/2017	REV: -	DRAWN BY: Moune T.
		SHEET: 3 OF 5




NOTE:  
IN AREAS SUSCEPTIBLE TO  
FROST HEAVING, INCREASE  
FOOTING DEPTH TO 24" +



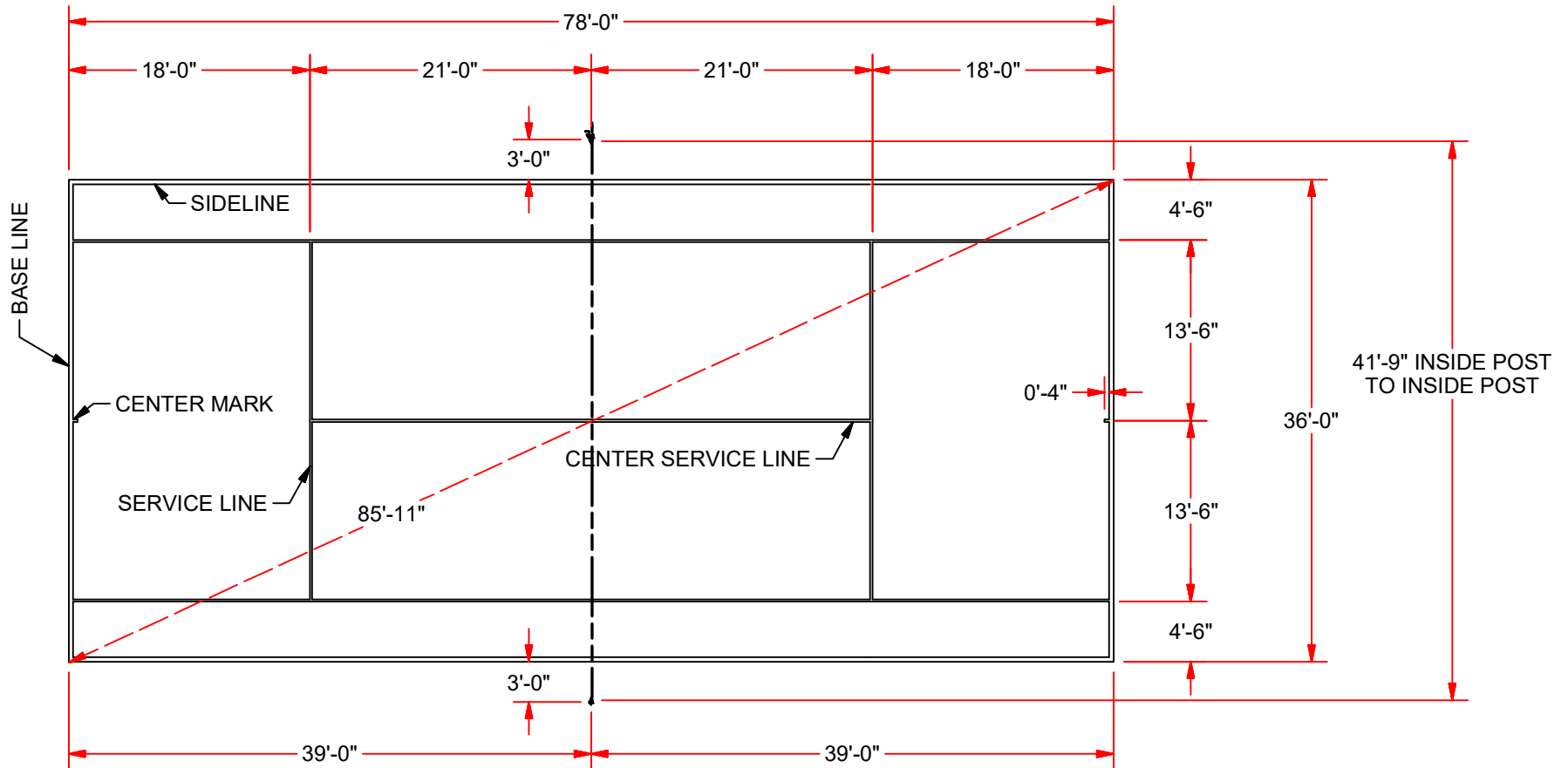
PLAN: NET CENTER STRAP ANCHOR

\*FOOTINGS FOR POSTS MAY BE  
ROUND OR SQUARE AT THE TOP  
TAPERING TO A SQUARE BOTTOM.  
ROUND FOOTINGS SHOULD BE  
DUG DEEPER TO PROVIDE THE  
SAME STABILITY AS FOOTINGS  
WITH A SQUARE OR TAPERED  
SQUARE BOTTOM.


 <small>INNOVATION. PERFORMANCE AND COMMITMENT SINCE 1983</small> 976 Hartford Turnpike Waterford, CT 06385 USA (800)243-0533 Fax: (800)988-3363 www.jaypro.com	MODEL NUMBER: RTP-278	CHECKED BY: WVB
	PRODUCT NAME: CENTER STRAP ANCHOR	
DATE: 11/21/2017	REV: -	DRAWN BY: Moune T.
		SHEET: 4 OF 5

NOTES:

- 1) ALL DIMENSIONS ARE TO THE OUTSIDE EDGE OF LINES.
- 2) CENTER SERVICE LINE & CENTER MARK SHALL BE 2 INCHES WIDE.
- 3) OTHER LINES SHALL BE BETWEEN 1" AND 2" WIDE, EXCEPT THE BASELINES MAY BE UP TO 4" WIDE.



**78' COURT - PLAYING LINE LAYOUT**

 <small>INNOVATION. PERFORMANCE AND COMMITMENT SINCE 1983</small> 976 Hartford Turnpike Waterford, CT 06385 USA (800)243-0533 Fax: (800)988-3363 www.jaypro.com	MODEL NUMBER: RTP-278	CHECKED BY: WVB
	PRODUCT NAME: TYPICAL COURT LAYOUT	
DATE: 11/21/2017	REV: -	DRAWN BY: Moune T.
		SHEET: 5 OF 5