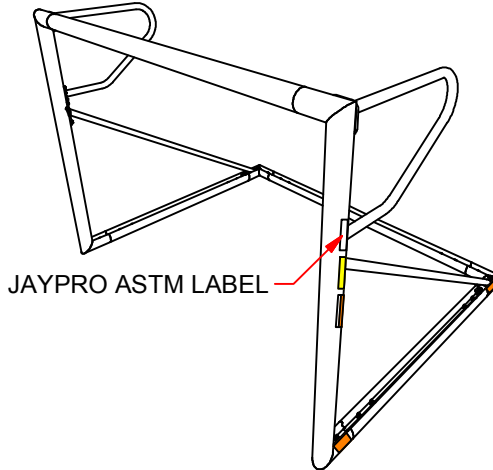


Secure 4 Safety

Soccer Goal Safety Program from Jaypro Sports

IMPORTANT NOTICE:

- ALWAYS ANCHOR PORTABLE SOCCER GOALS.
- LOCATE ANCHORS ON REAR CROSSBAR AS CLOSE TO THE CORNER AS PRACTICAL.
- NOT TO BE USED FOR ANY OTHER PURPOSE THAN ANCHORING SOCCER GOALS.
- DO NOT USE FOR STORING GASOLINE OR OTHER FUEL.
- WEIGHT:
 - CONCRETE: 50 lbs.
 - SAND: 39 lbs.
 - WATER: 24 lbs.





Model #:
SGP-600FS
800-243-0533
www.jaypro.com



**THIS GOAL MEETS ALL SAFETY REQUIREMENTS OF:
ASTM F2056 & ASTM F2673**

WHEN COUNTER BALANCE WEIGHT IS USED AS THE ONLY MEANS OF PREVENTING TIPOVER, **A MINIMUM OF 140 LBS. MUST BE PLACED ON THE REAR CROSSBAR.** WEIGHT SHOULD BE DIVIDED EQUALLY AND PLACED NEAR EACH REAR CORNER.

SEE MANUFACTURER'S INSTRUCTIONS FOR MORE DETAILS ON ANCHORING.

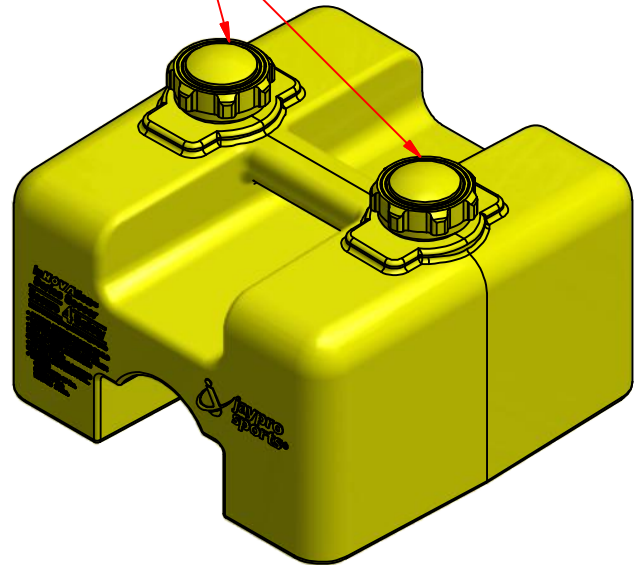
SL0045

PLEASE CHECK THE ASTM COUNTERWEIGHT REQUIREMENTS FOR YOUR SPECIFIC GOAL TO ENSURE PROPER ANCHORING.


INSTALLATION:

- 1) PLEASE CHECK THE ASTM COUNTERWEIGHT REQUIREMENTS FOR YOUR SPECIFIC GOAL. JAYPRO SOCCER GOAL COMES WITH A PRE-APPLIED ASTM LABEL INDICATING THE TOTAL WEIGHT REQUIRED.
- 2) THE NOVA ANCHOR MAY BE FILLED WITH WATER, SAND OR QUICK SET CONCRETE. (EACH RESULTS IN A DIFFERENT WEIGHT.)
- 3) CONCRETE IS THE RECOMMENDED MATERIAL RESULTING IN THE HIGHEST WEIGHT (50 lbs).
- 4) IF USING CONCRETE GO BY THE FOLLOWING INSTRUCTIONS.
- 5) JAYPRO RECOMMENDS SAKRETE OR QUIKRETE POST CONCRETE. THIS REQUIRES NO STIRRING.
- 6) 1 CONCRETE BAG FILLS 1 SOCCER ANCHOR.
- 7) USING A FUNNEL, WITH THE NOZZLE OPENED UP (CUT BACK), POUR ABOUT 1/2 BAG OF CONCRETE INTO THE CONTAINER AND ADD ENOUGH WATER TO SATURATE THE CONCRETE. ADD REMAINING CONCRETE & ENOUGH WATER TO SATURATE.
- 8) FOLLOW THE CONCRETE MANUFACTURER'S INSTRUCTION BEFORE USING SOCCER ANCHOR.

REMOVEABLE CAP



MAXIMUM 2 STACK

 <small>INNOVATION. PERFORMANCE AND COMMITMENT SINCE 1983</small>	MODEL NUMBER: SGA-50 / SGA-51		CHECKED BY: WVB	
	PRODUCT NAME: NOVA World Cup Anchor			
976 Hartford Turnpike Waterford, CT 06385 USA (800)243-0533 Fax: (800)988-3363 www.jaypro.com	DATE: 3/26/2014	REV: -	DRAWN BY: Moune T.	SHEET: 1 OF 1