



-- SGP-110 --
(NOVA TEAM™ SQUARE)
Installation Instructions

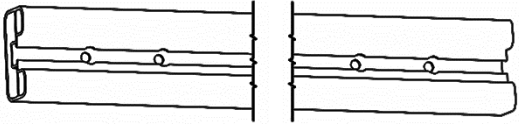
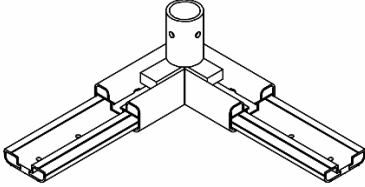
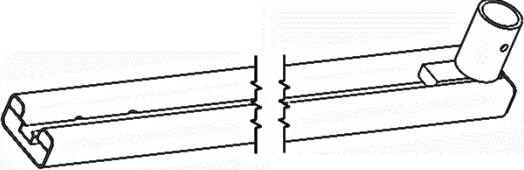
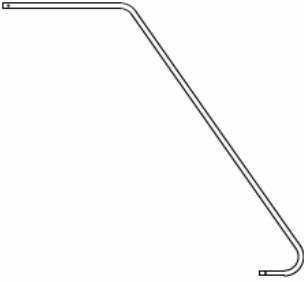
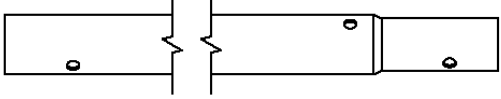
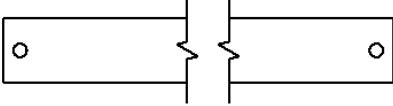
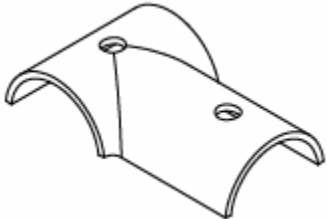



Ground anchors are recommended to meet High School and College regulations. Jaypro also strongly recommends ground anchors for youth goals.



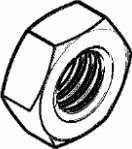




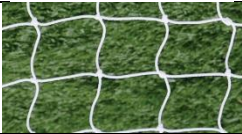

Call Jaypro Sports Equipment at 1-800-243-0533 during regular business hours for technical support.

www.jaypro.com

JAYPRO SPORTS
SGP-110, NOVA TEAM™ SQUARE

| ITEM | IMAGE (Actual image may vary) | DESCRIPTION | QTY |
|------|---|---------------------------------------|-----|
| 1 |  Two views of a long, rectangular metal bar with two circular holes near each end. | FRONT CROSSBAR, 2" x 4" x 280" LONG | 1 |
| 2 |  A 90-degree corner connector with a central vertical pipe fitting and two horizontal pipe fittings. | SGP-10 RIGHT & LEFT CORNER | 2 |
| 3 |  A long, rectangular metal bar with a vertical pipe fitting at one end and a horizontal pipe fitting at the other. | SGP-110 RIGHT & LEFT UPRIGHT | 2 |
| 4 |  A long, thin metal rod with a hook at one end and a small circular hole at the other. | SGP-110 BACKSTAY | 2 |
| 5 |  A short metal bar with a central hole and two circular holes near the ends. | 1.90" BACKSTAY CONNECTOR, x 96-5/8" L | 2 |
| 6 |  A short metal bar with two circular holes near the ends. | 1.90" REAR CROSSBAR, x 288" L | 1 |
| 7 |  A curved metal clamp with two circular holes for screws. | 1.90" CARRIAGE PIPE CLAMP | 4 |
| 8 |  A carriage bolt with a wide, flat head and a threaded shaft. | 3/8"-16 x 2 1/2 in CARRIAGE BOLT | 4 |
| ITEM | IMAGE (Actual image may vary) | DESCRIPTION | QTY |

JAYPRO SPORTS
SGP-110, NOVA TEAM™ SQUARE

| ITEM | IMAGE (Actual image may vary) | DESCRIPTION | QTY |
|------|---|---|-----|
| 9 |  | 3/8"-16 x 3/4" BUTTON HEX SCREW, SS | 12 |
| 10 |  | 3/8"-16 x 2 3/4" HEX HEAD CAP SCREW, ZP | 4 |
| 11 |  | 3/8"-16 THIN NYLON LOCK NUT NTE, ZP | 8 |
| 12 |  | 3/8" SAE FLAT WASHER, ZP | 12 |
| 13 |  | 3/8" SAE FLAT WASHER, SS | 12 |
| 14 |  | 3/8" LOCK WASHER, SS | 12 |
| 15 |  | EASY TRACK NET CLIP | 50 |
| 16 |  | OFFICIAL SOCCER NET WHITE | 2 |
| 17 |  | AUGER ANCHOR | 4 |
| ITEM | IMAGE (Actual image may vary) | DESCRIPTION | QTY |

IMPORTANT NOTICE:

- 1) BEFORE EACH USE CHECK EQUIPMENT FOR PROPER CONNECTING HARDWARE AND STRUCTURAL INTEGRITY. REPLACE DAMAGED OR MISSING HARDWARE IMMEDIATELY.
- 2) USE OF THIS EQUIPMENT OTHER THAN INTENDED MAY BE HAZARDOUS.
- 3) ALTERATION OR MODIFICATION OF THIS EQUIPMENT MAY BE HAZARDOUS AND RESULT IN INJURY. FOR REPAIR OR REPLACEMENT, CONTACT YOUR DEALER OR JAYPRO SPORTS.

ASSEMBLY INSTRUCTIONS

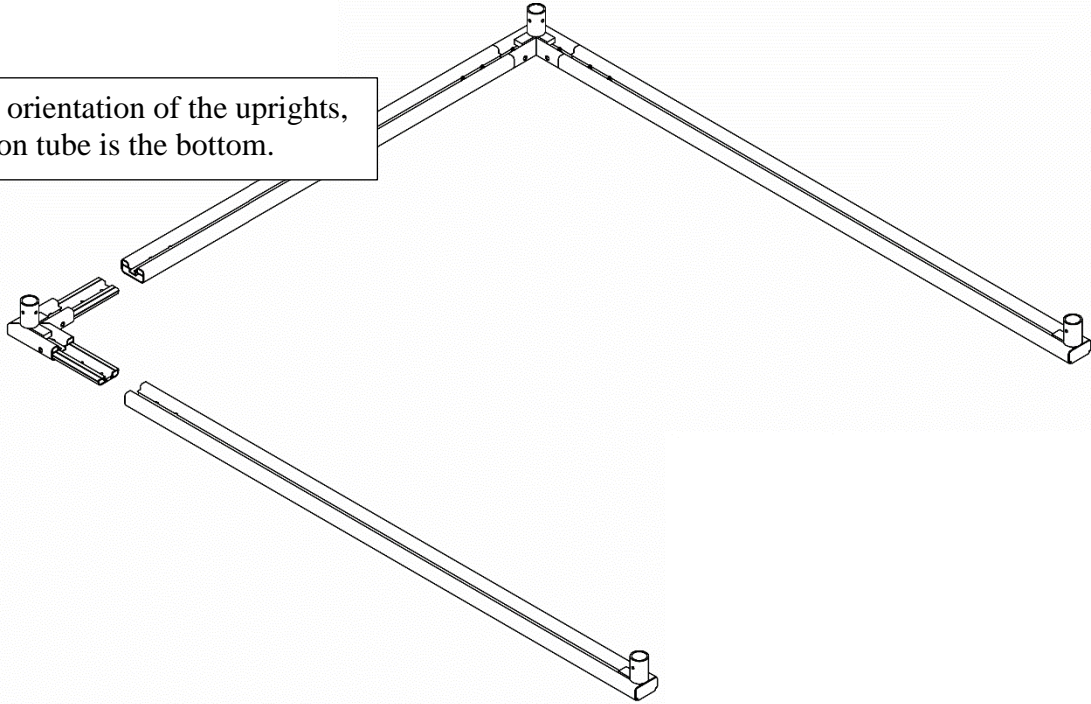
TOOLS REQUIRED:

- (1) 9/16" Socket Wrench and Box Wrench
 - (1) Rubber Mallet
 - (1) Phillips Head Power Drill
-
- 1) Unpack all parts and check against parts list to ensure that all have been included.
 - 2) Inspect all parts for damage. Report any damages to the trucking company.
 - 3) Portability is an important characteristic of this soccer goal and the design and the material that have been selected are intended to enhance the feature. Consequently, **this goal may tip over under certain load conditions, such as high winds or climbing onto the framework. It is highly recommended that this unit be properly anchored for improved stability. If there are any questions please contact Customer Service at (800) 243-0533.**
 - 4) The size and weight of this portable soccer goal dictates that **at least four people are required when carrying this unit.** For best results, tip the goal onto its face. Position one person at each of the four corners and lift carefully. If the wheel kit option is used, only two people are needed to move the goal.

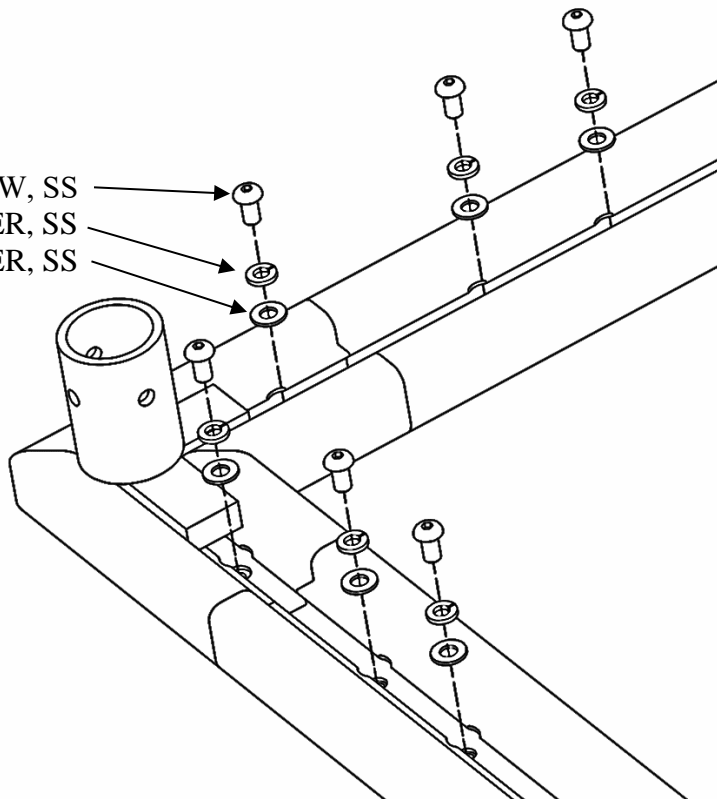
Front Goal Face Assembly:

1. Lay goal components face down on the grass or a protective surface.
2. Slide crossbar into uprights and assemble hardware hand tight.

Note the orientation of the uprights, cap end on tube is the bottom.

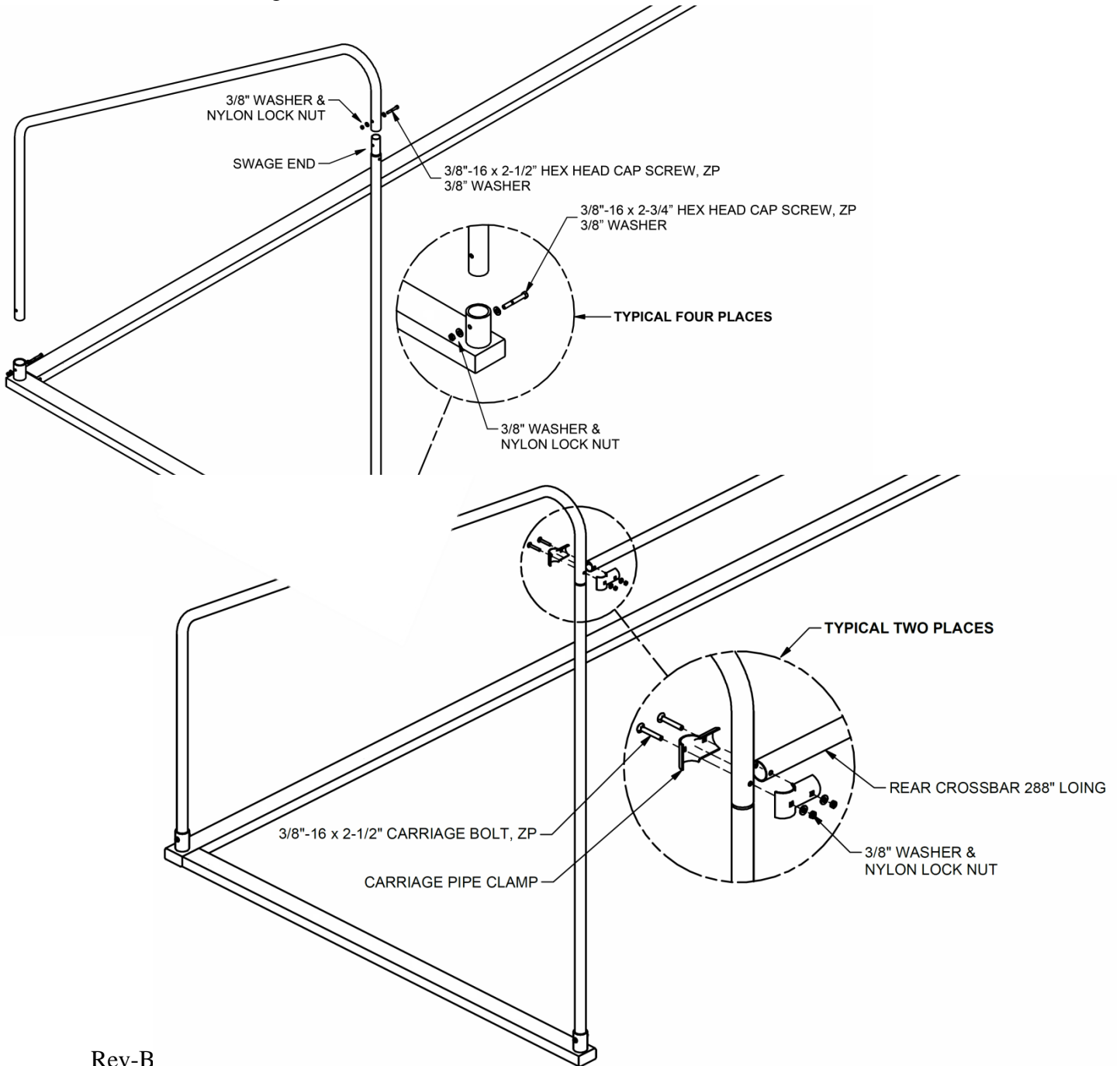


3/8"-16 x 3/4" BUTTON HEX SCREW, SS
3/8" LOCK WASHER, SS
3/8" SAE FLAT WASHER, SS



Rear Backstay Assembly:

1. Insert the backstays into the swaged end of the pipe before placing into the hubs. Repeat for the other half of the goal.
2. Now insert the completed backstays into the hubs and hand tighten the hardware.
3. Attach the rear crossbar into the pipe clamp assembly using the remaining hardware.
4. Now tighten all hardware. With the goal in the face-down position, attach the net using the Easy Track net clip attachment. If the net is installed in this position, there is no need to climb a ladder to attach the netting. Once complete, move the goal into the playing position. Repeat this entire instruction for the other half of the soccer goal.



Safety / Warning Labels:

Safety and Warning labels, as required to meet ASTM Standards, are an important component to any soccer goal. Place labels according to the diagrams below. Always inspect goals before each use to ensure that all labels are in place and legible. Contact your dealer or Jaypro Sports for replacement labels.

Label Placement Instructions:



PART# LL1059 QTY: 1

1. PLACE ONTO THE UNDER SIDE OF THE CROSSBAR.



*APPLIED BY JAYPRO QTY: 2
NOTE: MODEL # MAY DIFFER

2. PLACE ON FRONT UPRIGHT NEAR BRACING SUPPORT



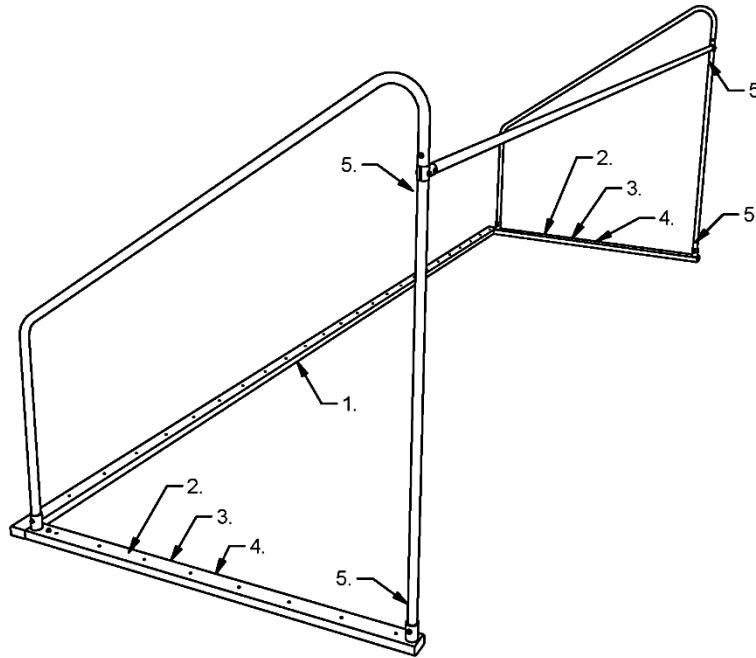
PART# SL0035 QTY: 2

3. PLACE ON FRONT UPRIGHT NEAR BRACING SUPPORT BELOW "ASTM INFO" STICKER.



PART# LL1086 QTY: 2

4. PLACE ON FRONT UPRIGHT NEAR BRACING SUPPORT BELOW "NEVER CLIMB" STICKER.



NOTE:
1) APPLY ALL LABELS AS SHOWN.



PART# LL1085 QTY: 4

5. PLACE ON FRONT & REAR SIDES AT BASE OF THE GOAL.

***FOR ADDITIONAL STICKERS*
CONTACT JAYPRO SPORTS**

Jaypro strongly recommends that all portable soccer goals be anchored, to prevent accidental tip-over and serious injury. Never climb, or allow anyone else to climb on the frame or net.

Final Adjustments:

- Check to make sure the soccer goal frame is properly aligned and square. Securely tighten all hex head hardware.
- With goal fully assembled, attach the net using the Easy Track net clip attachment system:



- Use a step ladder to attach the net to the crossbar if necessary. Once completed, move the goal into the final playing position.
 - Optional wheel kit (CSGWK) for transportation and storage.
- Anchor back corners of soccer goal frames using included auger ground anchors.

IMPORTANT NOTICE

The United States consumer product safety commission has adopted and published “*Guidelines For Movable Soccer Goal Safety*”. These guidelines offer information on the installation, use, and storage of full-size portable soccer goals and through these guidelines; it is the commission’s intent to help prevent serious injuries or death resulting from accidental soccer goal tip over.

Securely anchoring portable soccer goals, at all times, is one important and effective way to improve soccer goal safety. The proper selection of appropriate anchoring devices is dependent upon a number of factors and is unique to individual circumstances. Key elements to consider are:

- 1) Goal weight, inherent stability and type of construction;
- 2) Local field conditions and soil moisture content;
- 3) Expected usage level and overall degree of field supervision;
- 4) The need to relocate or remove the goal on a regular or continuing basis.

As a charter member of the **Coalition To Promote Soccer Goal Safety**, Jaypro endorses the efforts of the commission and others in this cause. Our trained sales staff is available to discuss the variety of goal anchors that we offer and to help you in making the best choice for your individual application

Anchoring Systems:

IMPORTANT – PORTABLE SOCCER GOALS SHOULD BE ANCHORED AT ALL TIMES.

There are three categories of anchors suitable for securing soccer goals.

Semi-Permanent In-Ground Anchors: SGA-60



Semi-permanent in-ground anchors are the most secure type of anchor, as they are not dependent on soil conditions or subject to improper placement or dislodging. The anchor itself is permanently cemented into the ground and the goal is securely bolted onto it.

Portable In-Ground Anchors: SAS-95, SGA-91 & SS-18

There are three types of portable in-ground anchors. The type of anchor required is dependent upon the type of soil condition encountered. The effectiveness of these anchors is a function of style and length.

- Auger style anchors, 18" or longer, are used in loose and sandy soils.
- J-Hook Stake anchors, 18" or longer, are used in firm and compressed soil types; such as loams, which are a class of soil composed of varying mixtures of sand, silt and clay.
- Spike anchors, 18" or longer, are used in firm to tightly compacted soils, such as clays. These anchors are $\frac{3}{4}$ " in diameter with serrated ends, and steel wire lanyard.



Auger
SAS-95

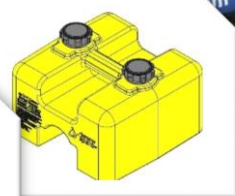
J-Hook
SGA-91

Spike
SS-18

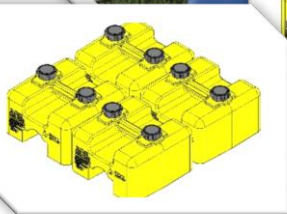
Portable Surface Anchors: SWB-451, SGA-51 & SGA-50



SWB-451



SGA-51



SGA-50

Surface anchors are ideal for the newer synthetic surfaces or artificial fields, where an in-ground anchor is not feasible or desired. These types of anchors include sand bags, tethered anchor weights and sit upon anchor weights. These anchors are easy to use, but require consideration regarding the amount of weight used. The amount of counterweight necessary to meet the ASTM standards to prevent tipping is dependent on the size and geometry of the goal. The table below lists the amount of counterweight required for each goal. Counterweights should be placed upon the rear crossbar, located towards the two rear corners.