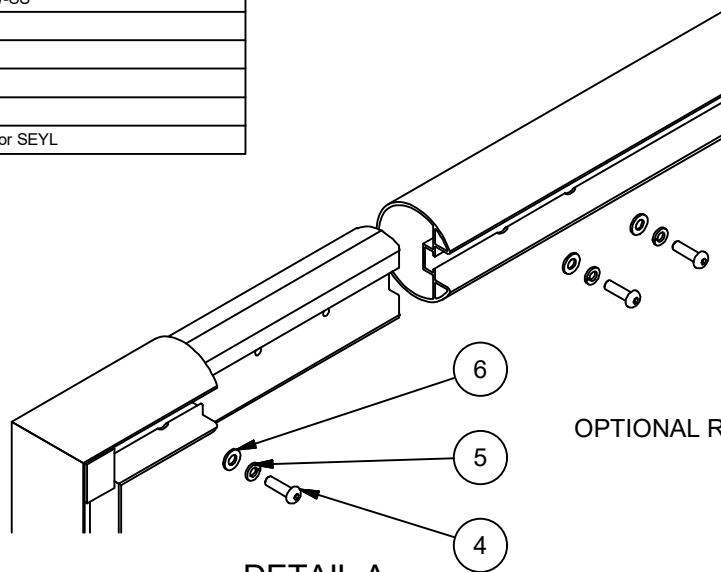


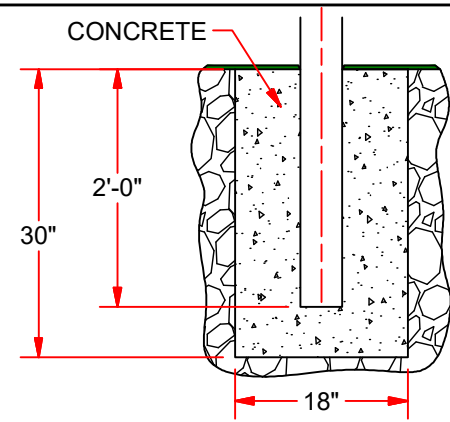
Parts List For A Single Goal			
ITEM	QTY	PART #	DESCRIPTION
1	1	SG-001X	4" SOCCER CROSSBAR, x 280" L W/ WHITE POWDER COAT FINISH
2	1	SGP-550USR	RIGHT UPRIGHT FOLDING GOAL
3	1	SGP-550USL	LEFT CORNER FOLDING GOAL
4	6	HS5225	3/8-16 x 1-1/4 HEX BUTTON CAP SCREW-SS
5	6	HW334	3/8 LOCK WASHER-ZP-GrNC
6	6	HW2047	3/8 SAE WASHER-ZP-GrNC
7	0.5	NP-25	NET PEGS
8	0.5	ENC-824	EASY TRACK NET CLIP 100/PKG WHITE
9	0.5	SEYL-24N	ADJUSTABLE SIZE SOCCER GOAL NET for SEYL



ATTACH NET PEGS EVENLY AROUND NET

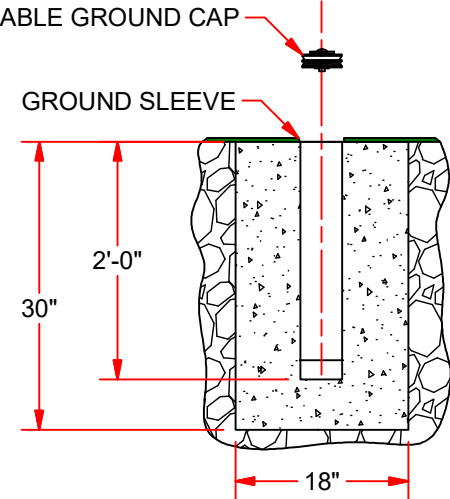


DETAIL A
(TYPICAL REAR VIEW CORNER)

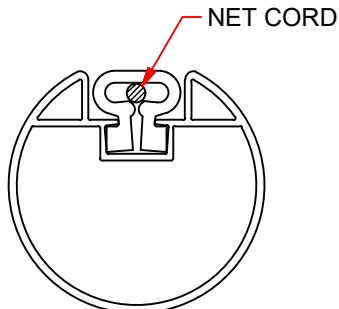


FOOTING DETAIL
PERMANENT

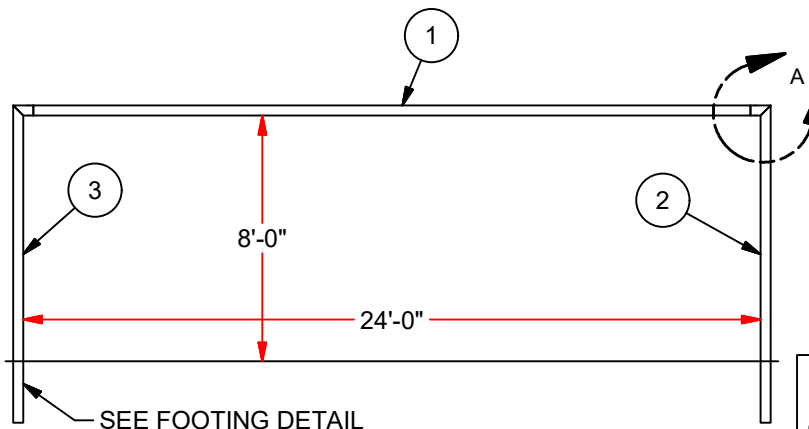
OPTIONAL REMOVABLE GROUND CAP



FOOTING DETAIL
(OPTIONAL GROUND SLEEVE P/N: SGP-445G FOR SEMI-PERMANENT INSTALLATION)




CHANNEL W/ NET CLIP



SGP-200J FRONT VIEW ELEVATION

NOTE:
1) THESE ARE MINIMUM DIMENSIONS FOR AVERAGE SOIL CONDITIONS.

 <small>INNOVATION, PERFORMANCE AND COMMITMENT SINCE 1983</small> 976 Hartford Turnpike Waterford, CT 06385 USA (800)243-0533 Fax: (800)988-3363 www.jaypro.com	MODEL NUMBER: SGP-220	CHECKED BY: WVB
	PRODUCT NAME: DOMESTIC NOVA TEAM ROUND SEMI-PERMANENT INSTALLATION	
DATE: 8/31/2017	REV: -	DRAWN BY: Moune T.
		SHEET: 1 OF 1