



-- SGP-400 --

(CLASSIC OFFICIAL ROUND SOCCER GOAL)

Installation Instructions



Ground anchors are recommended to meet High School and College regulations. Jaypro also strongly recommends ground anchors for youth goals.

Call Jaypro Sports Equipment at 1-800-243-0533 during regular business hours for technical support.

www.jaypro.com

JAYPRO SPORTS

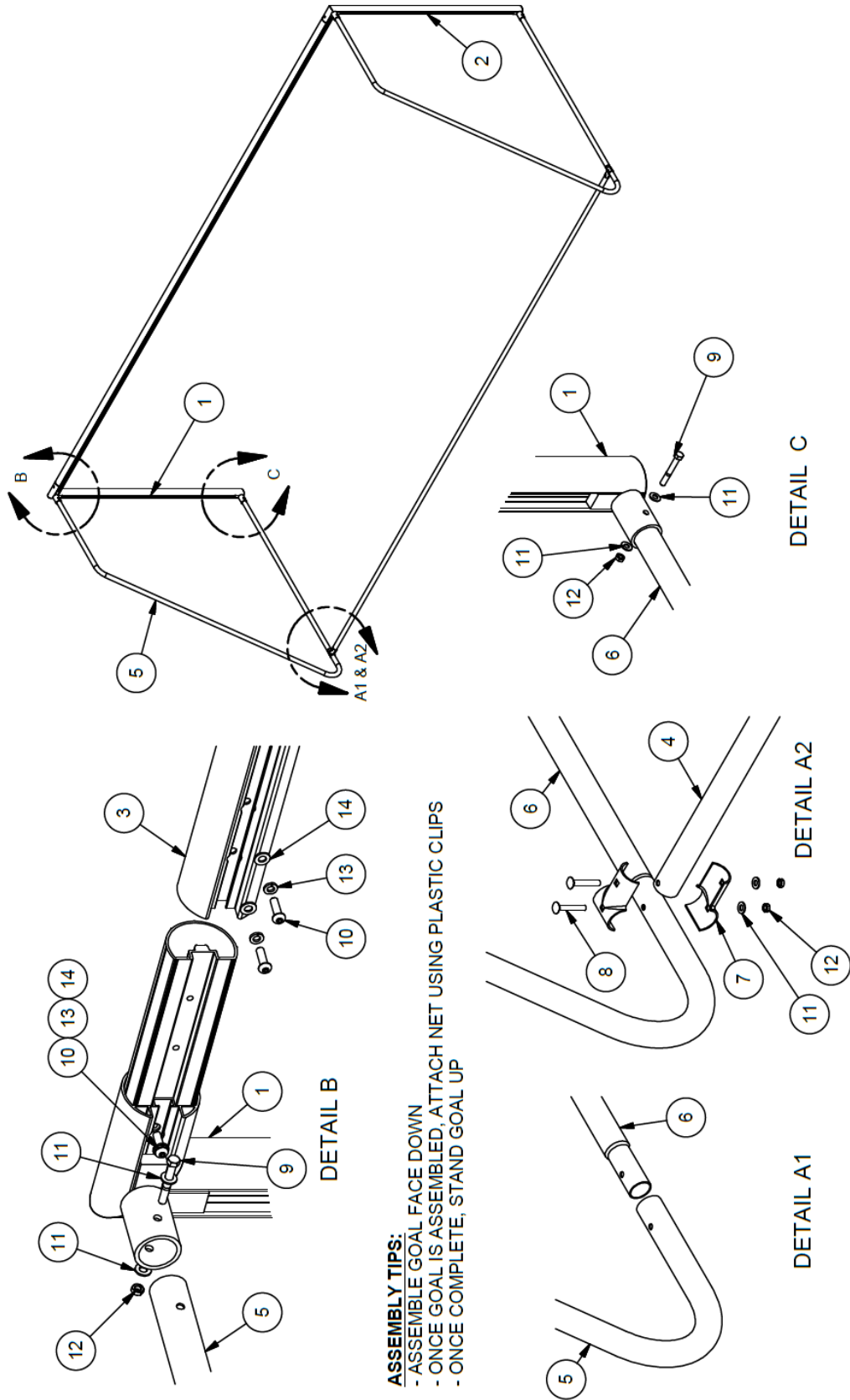
OFFICIAL PORTABLE SOCCER GOAL, SGP-400

LIST OF MATERIALS FOR TWO GOALS

| <u>ITEM #.</u> | <u>PART NO.</u> | <u>DESCRIPTION</u> | <u>QTY</u> |
|----------------|-----------------|---|------------|
| 1 | SG-400USR | RIGHT UPRIGHT WELDMENT | 2 |
| 2 | SG-400USL | LEFT UPRIGHT WELDMENT | 2 |
| 3 | SG-001X | 4" SOCCER CROSSBAR, x 280" L | 2 |
| 4 | SG-760RX | 1.90" REAR CROSSBAR, x 288" L | 2 |
| 5 | SGP-760BS | BACKSTAY FOR SGP-760 & SGP-400 | 4 |
| 6 | SG-760C | 1.90" BACKSTAY CONNECTOR, x 96 5/8" L | 4 |
| 7 | SR5418 | 1.90" CARRIAGE PIPE CLAMP | 8 |
| 8 | HB5038 | 3/8"-16 x 2 1/2" CARRIAGE BOLT | 8 |
| 9 | HS1616 | 3/8"-16 x 2 3/4" HEX HEAD CAP SCREW, ZP | 8 |
| 10 | HS5225 | 3/8"-16 x 1 1/4" BUTTON HD. CAP SCREW, SS | 12 |
| 11 | HW2047 | 3/8" SAE FLAT WASHER, ZP | 32 |
| 12 | HN1230 | 3/8"-16 THIN NYLON LOCK NUT NTE, ZP | 20 |
| 13 | HW2152 | 3/8" MEDIUM SPLIT LOCK WASHER, SS | 12 |
| 14 | HW2151 | 3/8" SAE FLAT WASHER, SS | 12 |
| 15 | ENC-82450 | EASY TRACK NET CLIP 50/PKG | 2 |
| 16 | HM6227 | 7/32" SHORT ARM HEX KEY WRENCH | 1 |
| 17 | SINT-60 | HOOK-AND-LOOP CLOSURE STRIP 60/PKG | 1 |
| 18 | SND-8 | OFFICIAL SOCCER NET WHITE PAIR | 1 |
| 19 | SGA-91 | J-HOOK STAKE SET OF 4 | 1 |

INSTALLATION AND USE CONSIDERATIONS

- 1) Portability is an important characteristic of this soccer goal and the design and the material that have been selected are intended to enhance the feature. Consequently, **this goal may tip over under certain load conditions, such as high winds or climbing onto the framework. It is highly recommended that this unit be properly anchored for improved stability. If there are any questions, please contact Customer Service at (800) 243-0533.**
- 2) The size and weight of this portable soccer goal dictates that **at least four persons are required when carrying this unit.** For best results, tip the goal onto it's face. Position one person at each of the four corners and lift carefully. If the wheel kit option is used, only two persons are needed to move the goal.

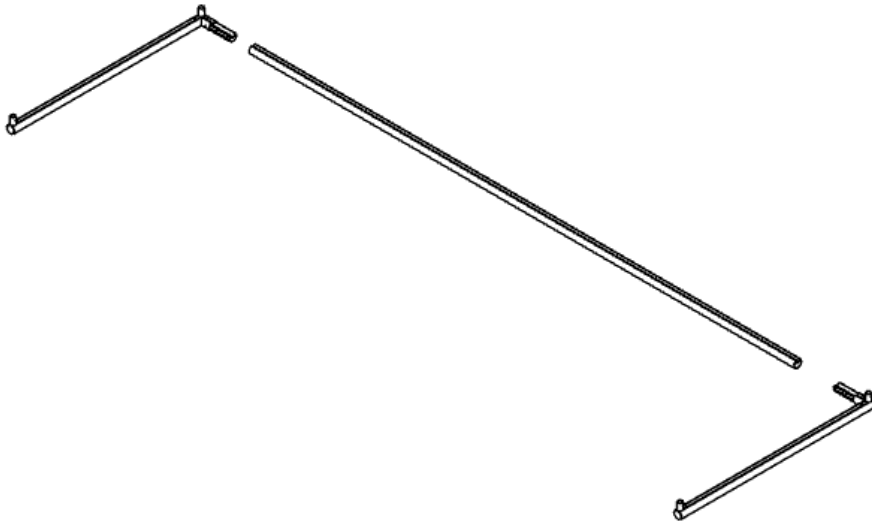


ASSEMBLY TIPS:
 - ASSEMBLE GOAL FACE DOWN
 - ONCE GOAL IS ASSEMBLED, ATTACH NET USING PLASTIC CLIPS
 - ONCE COMPLETE, STAND GOAL UP

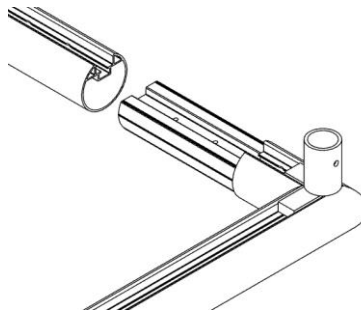
ASSEMBLY INSTRUCTIONS

READ ALL DIRECTIONS CAREFULLY BEFORE BEGINNING THE ASSEMBLY.

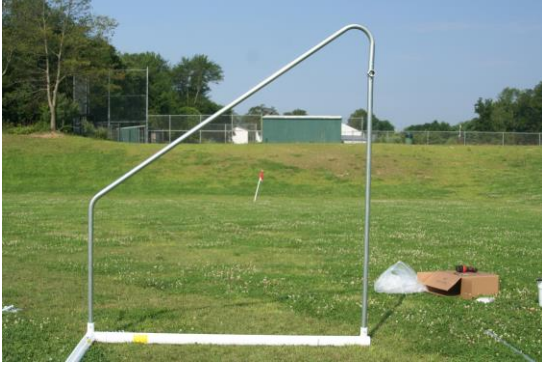
TOOLS REQUIRED: 9/16" Box Wrench or Adjustable Wrench.
1/2" Box Wrench or Adjustable Wrench



Lay goal components face down in the order they appear on the assembly drawing. This order of construction will make the construction of the goal safe and efficient. Make sure that you have all the pieces listed on the assembly instructions.



Slide crossbars into uprights and. Attach hardware as shown in assembly drawing.



Insert the backstays into the hubs. Use the hardware detailed on the assembly instructions.



Attach the rear crossbar into the tee fittings on the backstays. Use the hardware detailed on the assembly drawing. Now tighten all hardware. With the goal in the face down position, attach the net using the “*Easy Clip*” net attachment system. If the net is installed in this position, there is no need to climb a ladder and attach netting. Once complete, move the goal into the playing position. **Repeat for the other side.**



Completed goal.



Jaypro strongly recommends that all portable soccer goals be anchored, to prevent accidental tip-over and serious injury. Never climb or allow anyone else to climb on the frame or net.

Final Adjustments:

- Check to make sure the soccer goal frame is properly aligned and square. Securely tighten all hex head hardware.
- With goal fully assembled, attach the net using the Easy Track net clip attachment system:



- Use a step ladder to attach the net to the crossbar if necessary. Once completed, move the goal into the final playing position.
 - Optional wheel kit (CSGWK) for transportation and storage.
- Anchor back corners of soccer goal frames using included auger ground anchors.

IMPORTANT NOTICE

The United States consumer product safety commission has adopted and published “*Guidelines For Movable Soccer Goal Safety*”. These guidelines offer information on the installation, use, and storage of full-size portable soccer goals and through these guidelines; it is the commission’s intent to help prevent serious injuries or death resulting from accidental soccer goal tip over.

Securely anchoring portable soccer goals, at all times, is one important and effective way to improve soccer goal safety. The proper selection of appropriate anchoring devices is dependent upon a number of factors and is unique to individual circumstances. Key elements to consider are:

- 1) Goal weight, inherent stability and type of construction;
- 2) Local field conditions and soil moisture content;
- 3) Expected usage level and overall degree of field supervision;
- 4) The need to relocate or remove the goal on a regular or continuing basis.

As a charter member of the Coalition To Promote Soccer Goal Safety, Jaypro endorses the efforts of the commission and others in this cause. Our trained sales staff is available to discuss the variety of goal anchors that we offer and to help you in making the best choice for your individual application

Anchoring Systems:

IMPORTANT – PORTABLE SOCCER GOALS SHOULD BE ANCHORED AT ALL TIMES.

There are three categories of anchors suitable for securing soccer goals.

Semi-Permanent In-Ground Anchors: SGA-60



Semi-permanent in-ground anchors are the most secure type of anchor, as they are not dependent on soil conditions or subject to improper placement or dislodging. The anchor itself is permanently cemented into the ground and the goal is securely bolted onto it.

Portable In-Ground Anchors: SAS-95, SGA-91 & SS-18

There are three types of portable in-ground anchors. The type of anchor required is dependent upon the type of soil condition encountered. The effectiveness of these anchors is a function of style and length.

- Auger style anchors, 18” or longer, are used in loose and sandy soils.
- J-Hook Stake anchors, 18” or longer, are used in firm and compressed soil types; such as loams, which are a class of soil composed of varying mixtures of sand, silt and clay.
- Spike anchors, 18” or longer, are used in firm to tightly compacted soils, such as clays. These anchors are 3/4” in diameter with serrated ends, and steel wire lanyard.



Auger
SAS-95

J-Hook
SGA-91

Spike
SS-18

Portable Surface Anchors: SWB-451, SGA-51 & SGA-50



Surface anchors are ideal for the newer synthetic surfaces or artificial fields, where an in-ground anchor is not feasible or desired. These types of anchors include sand bags, tethered anchor weights and sit upon anchor weights. These anchors are easy to use, but require consideration regarding the amount of weight used. The amount of counterweight necessary to meet the ASTM standards to prevent tipping is dependent on the size and geometry of the goal. The table below lists the amount of counterweight required for each goal. Counterweights should be placed upon the rear crossbar, located towards the two rear corners.

SGA-50

Safety / Warning Labels:

Safety and Warning labels, as required to meet ASTM Standards, are an important component to any soccer goal. Place labels according to the diagrams below. Always inspect goals before each use to ensure that all labels are in place and legible. Contact your dealer or Jaypro Sports for replacement labels.

Label Placement Instructions:



PART# LL1059 QTY: 1

1. PLACE ONTO THE UNDER SIDE OF THE CROSSBAR.



*APPLIED BY JAYPRO QTY: 2
NOTE: MODEL # MAY DIFFER

2. PLACE ON FRONT UPRIGHT NEAR BRACING SUPPORT



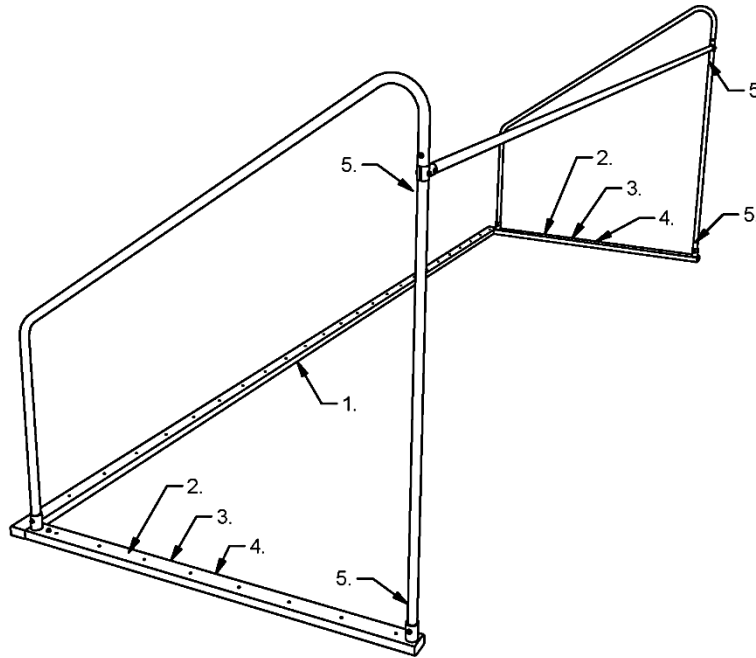
PART# SL0035 QTY: 2

3. PLACE ON FRONT UPRIGHT NEAR BRACING SUPPORT BELOW "ASTM INFO" STICKER.



PART# LL1086 QTY: 2

4. PLACE ON FRONT UPRIGHT NEAR BRACING SUPPORT BELOW "NEVER CLIMB" STICKER.



NOTE:
1) APPLY ALL LABELS AS SHOWN.



PART# LL1085 QTY: 4

5. PLACE ON FRONT & REAR SIDES AT BASE OF THE GOAL.

***FOR ADDITIONAL STICKERS*
CONTACT JAYPRO SPORTS**