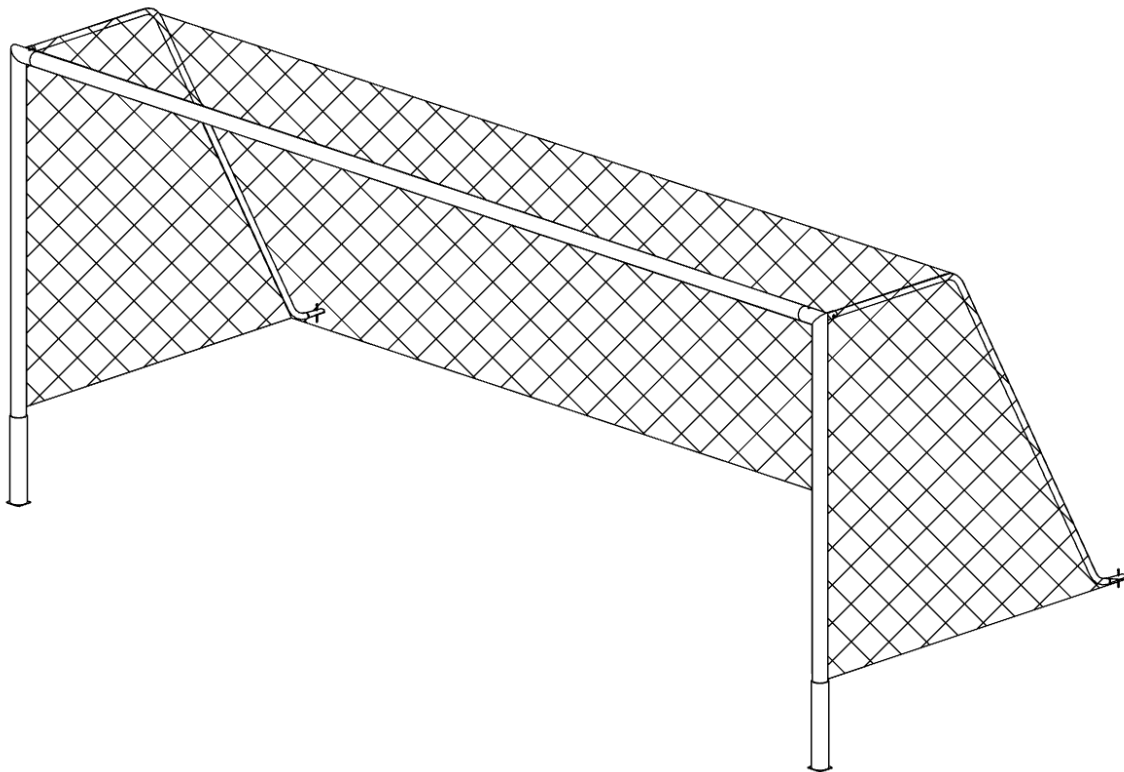





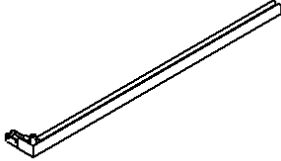
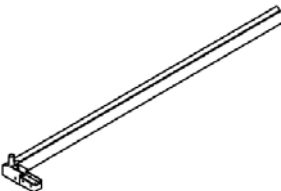

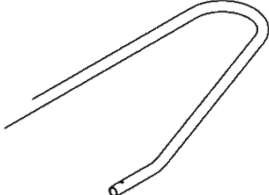
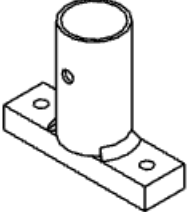
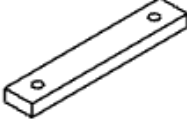
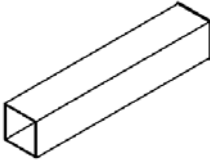
-- SGP-730 / SGP-730EB --
(NOVA CLASSIC™ SQUARE SEMI-PERMANENT)
Installation Instructions

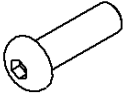

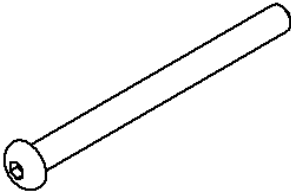


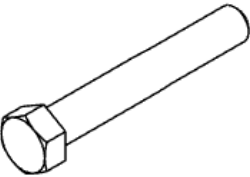
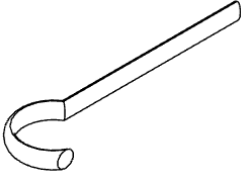


Call Jaypro Sports Equipment at 1-800-243-0533
during regular business hours for technical support.

www.jaypro.com

JAYPRO SPORTS
NOVA CLASSIC™ SQUARE SEMI-PERMANENT
SGP-730 / SGP-730EB (QTY: SINGLE GOAL)

ITEM	IMAGE	DESCRIPTION	SGP-730 QTY	SGP-730EB QTY
1		4" SQUARE SOCCER CROSSBAR x 280 1/2"	1	1
2		4" SQUARE SOCCER UPRIGHT RIGHT	1	1
3		4" SQUARE SOCCER UPRIGHT LEFT	1	1
4		1.66" DIA BACKSTAY BRACE	2	N/A
5		EUROPEAN STYLE PIPE	N/A	2
6		EUROPEAN BACKSTAY ADAPTER	N/A	2
7		5" LONG NUT BAR	N/A	2
8		UPRIGHT GROUND SLEEVE (OPTIONAL) (P/N: SGP-735G)	2	2
ITEM	IMAGE	DESCRIPTION	SGP-730 QTY	SGP-730EB QTY

ITEM	IMAGE	DESCRIPTION	SGP-730 QTY	SGP-730EB QTY
9		3/8"-16 x 1 1/4" BUTTON HEAD, SS	N/A	4
10		3/8 MEDIUM SPLIT LOCK WASHER, SS	N/A	4
11		3/8"-16 x 4 1/2" BUTTON CAP SCREW	4	4
12		3/8" SAE FLAT WASHER, ZP	12	20
13		3/8"-16 THIN NYLON LOCK NUT NTE, ZP	6	8
14		3/8-16 x 2 1/2" HEX HEAD CAP SCREW, ZP	2	4
15		GROUND STAKE	2	N/A
ITEM	IMAGE	DESCRIPTION	SGP-730 QTY	SGP-730EB QTY

IMPORTANT NOTICE:

- 1) BEFORE EACH USE CHECK EQUIPMENT FOR PROPER CONNECTING HARDWARE AND STRUCTURAL INTEGRITY. REPLACE DAMAGED OR MISSING HARDWARE IMMEDIATELY.
- 2) USE OF THIS EQUIPMENT OTHER THAN INTENDED, MAY BE HAZARDOUS.
- 3) ALTERATION OR MODIFICATION OF THIS EQUIPMENT MAY BE HAZARDOUS AND RESULT IN INJURY. FOR REPAIR OR REPLACEMENT, CONTACT YOUR DEALER OR JAYPRO SPORTS.

- Unpack all parts and check against parts list to ensure that all have been included.
- Inspect all parts for damage. Report any damages to the trucking company.

JAYPRO SPORTS

Official Permanent, Semi-Permanent Square Soccer Goal, SGP-730 / SGP-730EB

**** READ ALL DIRECTIONS CAREFULLY BEFORE BEGINNING THE ASSEMBLY ****

ASSEMBLY INSTRUCTIONS

TOOLS REQUIRED:

- (1) Socket Wrench and Box Wrench
- (1) 7/32" Allen Wrench
- (1) Rubber Mallet
- (1) Flat Blade Screw Driver
- (1) Phillip Head Screw Driver
- (1) Step Ladder
- (1) Pliers

Soccer Goal Installation:

- 1) Determine the proper location for the goal uprights (item 2 & 3) on the soccer field. The spacing between uprights is 24'-4" center-to-center. Dig the footing holes to the dimensions as shown on the illustration. These are minimum suggested dimensions for average soil conditions.
- 2) For best results assemble the main goal frame, uprights (item 2 & 3) and crossbar (item 1) on the ground prior to placing in the footing. **NOTE: SLIDE NUT BAR INTO THE CHANNEL OF EACH UPRIGHT FOR EUROPEAN BACKSTAY ADAPTER.**

Permanent Installation:

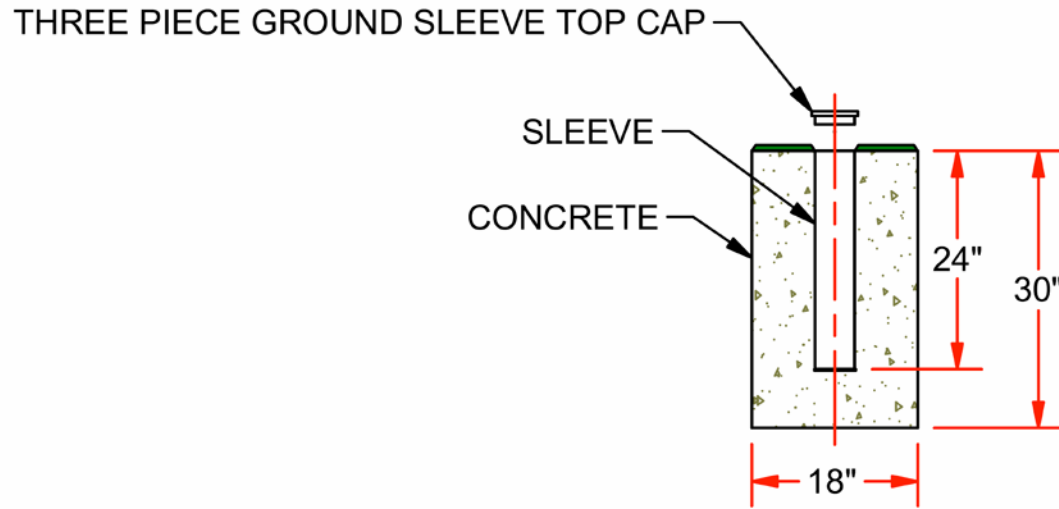
- 3) Lower the assembled goal face into the footing. Block beneath and around each upright, plumb the structure and pour the concrete. Check that the distance between the playing surface and the crossbar of the upright is 8'. Brace the structure to assure that it does not shift during the footing curing process.
- 4) Wait for the concrete to fully cure according to the manufacturer's instructions.

Semi-Permanent Installation: SGP-735G Ground Sleeve Sold Separately

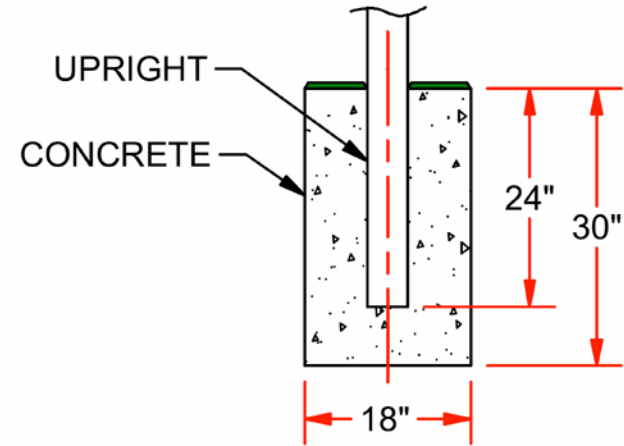
(Note: whenever goal is removed from ground sleeves for maintenance or storage, always cover the open end of the sleeve using the top cap (SGP-735GC) provided.)

- 3) Slip the ground sleeves (SGP-735GS) onto the bottom of each upright and lower the assembled goal face into the footing. Block beneath and around the sleeves, plumb the structure and pour the footing. Be careful to ensure that concrete does not enter the inside of the sleeve. Check that the ground sleeve does not stick above the playing surface and that there is 8' from the playing surface to the underside of the crossbar. Brace the structure to assure that it doesn't shift during the curing process.
- 4) Wait for the concrete to fully cure according to the manufacturer's instructions.
- 5) Install Rear Backstays (item 4 /5) into the hub of each corner piece of the upright (item 2 & 3) as shown in the illustration (Detail A1/A2).
- 6) Anchor base of each Rear Backstay (item 4) using ground stake (item 15). (Detail B)
- 7) Locate the upper corner of the net. Draping the net over the rear backstays (item 4 /5) attach the net to the back of the goal face using the net clips provided.

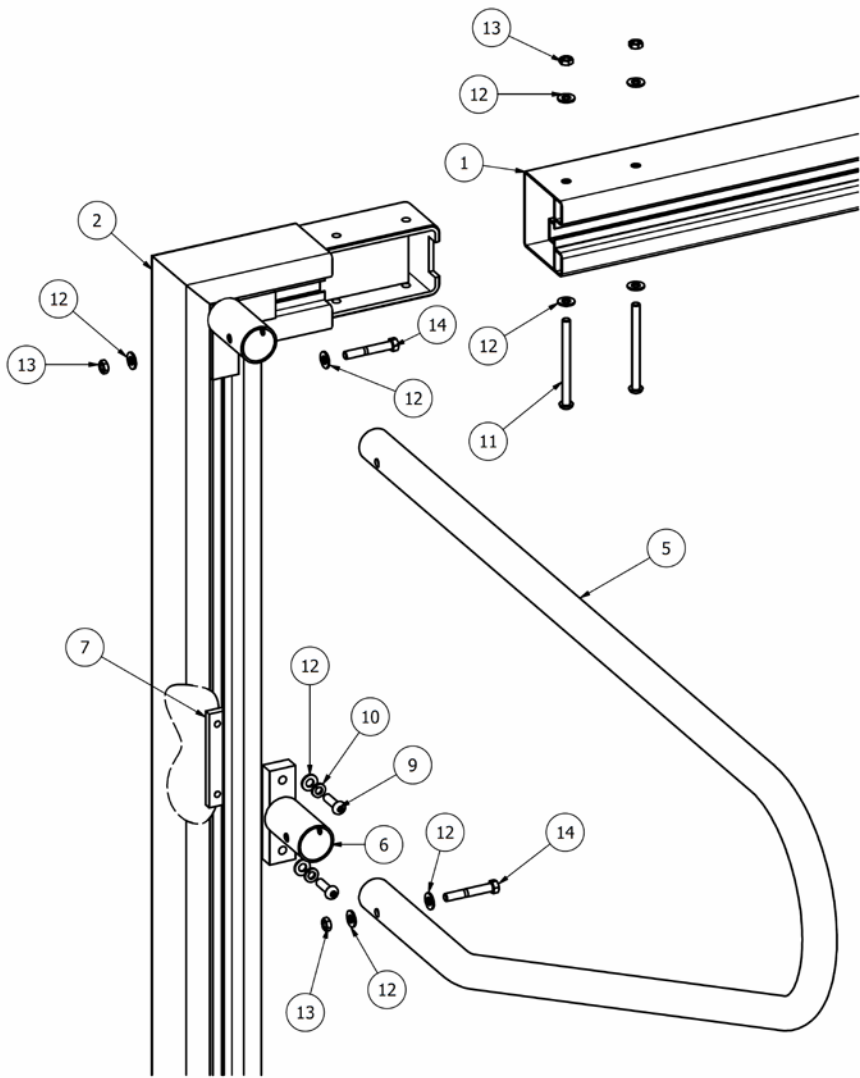
NOTE: THESE ARE MINIMUM DIMENSIONS SUGGESTED FOR AVERAGE SOIL CONDITIONS



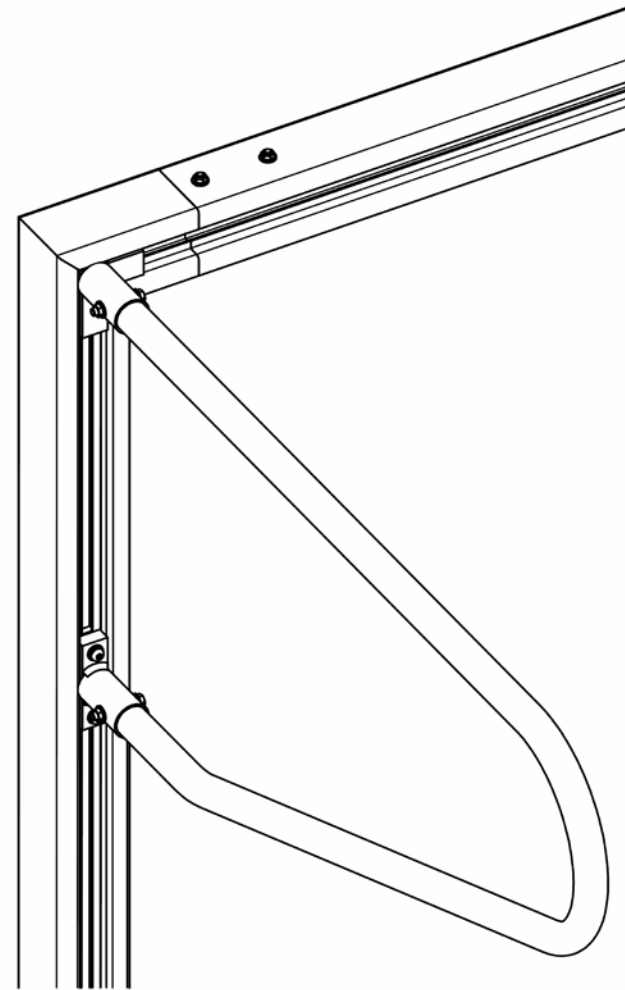
FOOTING DETAIL
(SEMI-PERMANENT INSTALLATION)

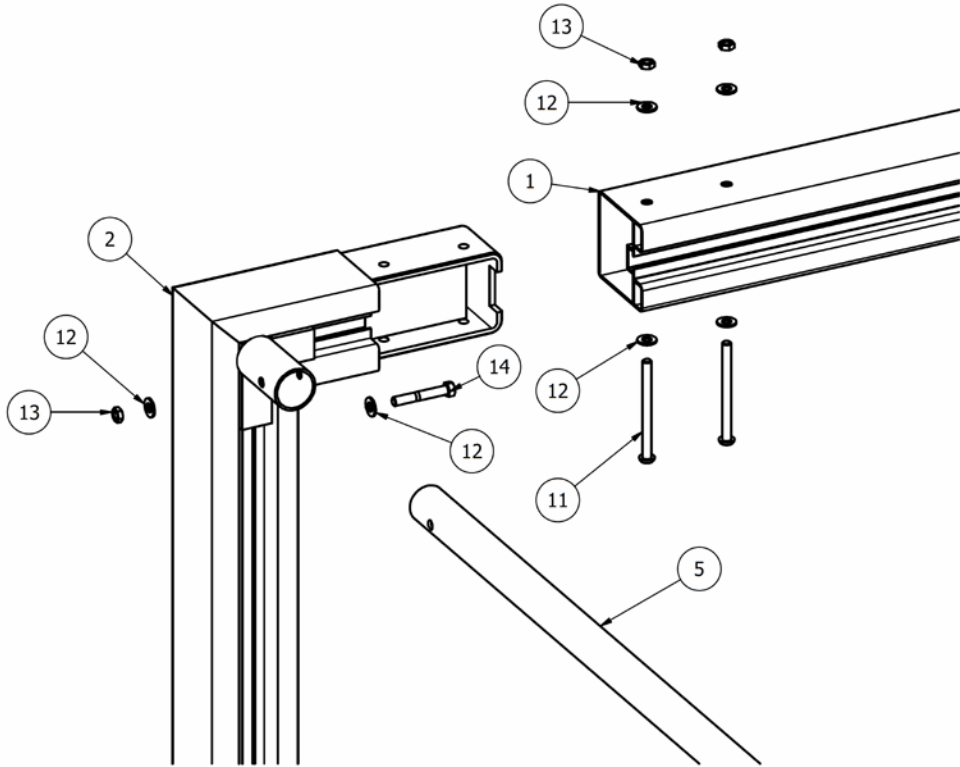


FOOTING DETAIL
(PERMANENT INSTALLATION)

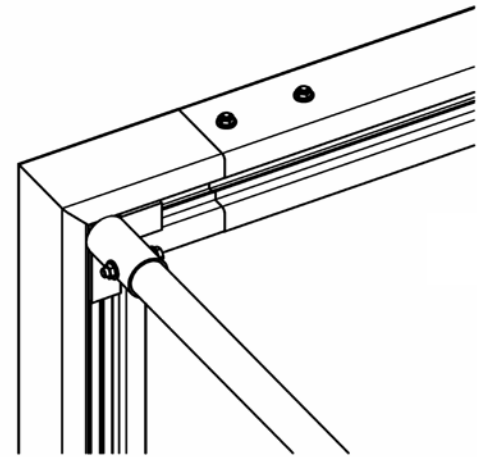


DETAIL: A1

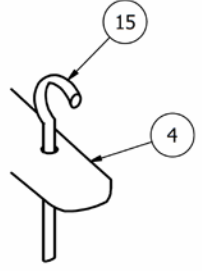


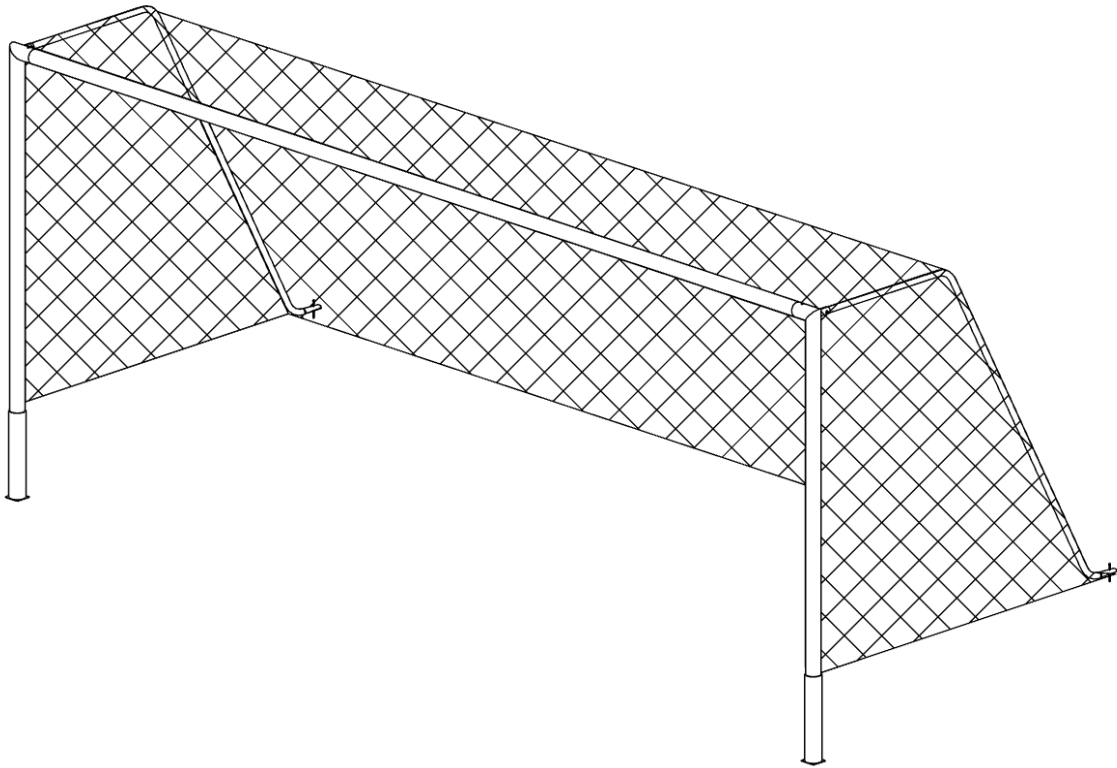


DETAIL: A2



DETAIL: B





Final Adjustments:

- Checks to make sure the soccer goal frame is properly aligned and square. Securely tightened all button head and hex head hardware.
- With goal fully assemble attach the net using the “*Easy Clip*” net attachment system. Use a step ladder to attach the net to the crossbar.

IMPORTANT NOTICE

The United States consumer product safety commission has adopted and published “*Guidelines For Movable Soccer Goal Safety*”. These guidelines offer information on the installation, use, and storage of full-size portable soccer goals and through these guidelines; it is the commission’s intent to help prevent serious injuries or death resulting from accidental soccer goal tip over.

Securely anchoring portable soccer goals, at all times, is one important and effective way to improve soccer goal safety. The proper selection of appropriate anchoring devices is dependent upon a number of factors and is unique to individual circumstances. Key elements to consider are:

- 1) Goal weight, inherent stability and type of construction;
- 2) Local field conditions and soil moisture content;
- 3) Expected usage level and overall degree of field supervision;
- 4) The need to relocate or remove the goal on a regular or continuing basis.

As a charter member of the **Coalition To Promote Soccer Goal Safety**, *Jaypro* endorses the efforts of the commission and others in this cause. Our trained sales staff is available to discuss the variety of goal anchors that we offer and to help you in making the best choice for your individual application.