



**-- SGP-850 --
(NOVA™ WORLD CUP SOCCER GOAL)
Installation Instructions**

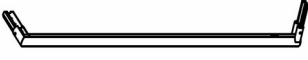

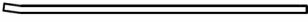
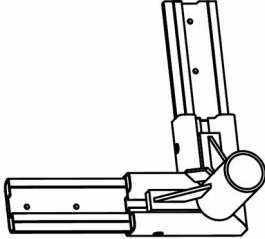
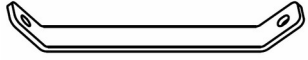
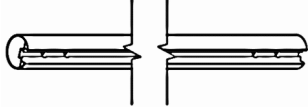
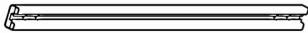
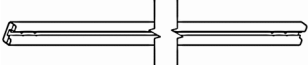










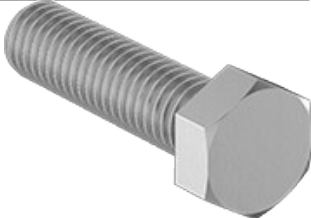







Jaypro strongly recommends that all portable soccer goals be anchored, to prevent accidental tip-over and serious injury. Never climb, or allow anyone else to climb on the frame or net.

Call Jaypro Sports Equipment at 1-800-243-0533 during regular business hours for technical support.
www.jaypro.com

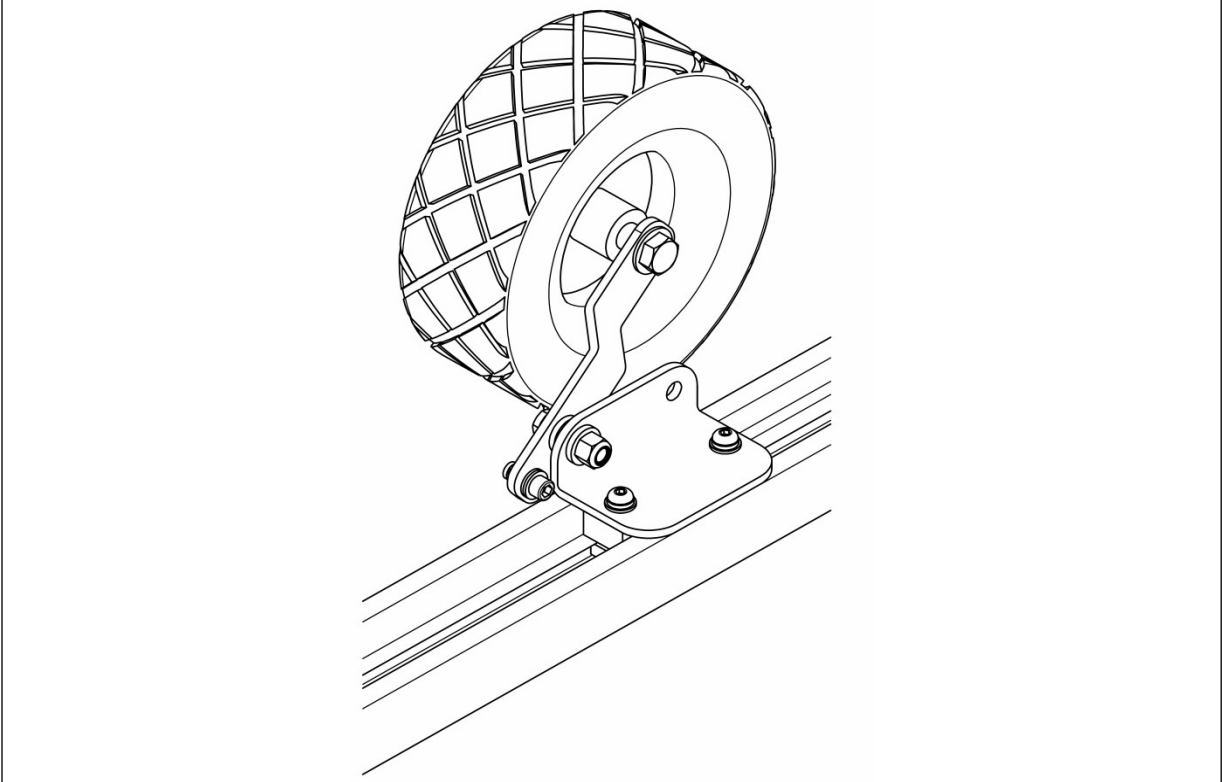
SGP-850

PARTS LIST (QTY: SINGLE UNIT)

ITEM	IMAGE	DESCRIPTION	QTY
1		RIGHT UPRIGHT WELDMENT <i>P/N: SGP-850UR</i>	1
2		LEFT UPRIGHT WELDMENT <i>P/N: SGP-850UL</i>	1
3		CORER POLE <i>P/N: SGP85-NSP (NET STAY POLE)</i>	2
4		2" x 4" CORNER FITTING <i>P/N: SGP-85CF</i>	2
5		SOCCER UPRIGHT BRACE <i>P/N: SGP-BRX</i>	2
6		4" SOCCER CROSSBAR, x 280" L W/ WHITE POWDER COAT FINISH <i>P/N: SG-001X</i>	1
7		2" x 4" BASE, x 80" L <i>P/N: SG-097</i>	2
8		2" x 4" SOCCER CROSSBAR, x 280" L <i>P/N: SG-003</i>	1
9		EASY TRACK NET CLIP 50/PKG <i>P/N: ENC-82450</i>	2
10		3/8"-16 x 1-1/4" HEX BUTTON SCREW, SS <i>P/N: HS5225</i>	8
11		3/8"-16 x 1" HEX BUTTON SCREW, SS <i>P/N: HS5244</i>	2
12		3/8"-16 x 3/4" HEX BUTTON SCREW, SS <i>P/N: HS5228</i>	14
ITEM	IMAGE	DESCRIPTION	QTY
ITEM	IMAGE	DESCRIPTION	QTY

13		3/8" SPLIT LOCK WASHER, SS P/N: HW2152	24
14		3/8" SAE FLAT WASHER, SS P/N: HW2151	28
15		3/8"-16 NYLON LOCK NUT, SS P/N: HN5003	2
16		5/16"-18 NYLON LOCK NUT, ZP P/N: HN261	2
17		3/8"-16 x 3-1/2" HEX CAP SCREW, ZP P/N: HS782	2
18		END CAP #288-9 BLACK 2 3/8" P/N: EC0044	2
19		5/16"-18 x 3" SHANK EYEBOLT P/N: HB201	2
20		5/16" FLAT WASHER, ZP P/N: HW2083	2
21		1/4" ROPE RATCHET P/N: HM6638	1
22		3/8" BUNGEE CORD w/ PLASTIC J-HOOKS P/N: RR5034	2
23		4MM SEMI BOX SOCCER NET PAIR P/N: SGP-850N	1
24		AUGER ANCHOR SET OF 4 P/N: SAS-95	1
ITEM	IMAGE	DESCRIPTION	QTY

OPTIONAL WHEEL KIT FOR PORTABLE SOCCER GOALS (P/N: NSGWK)



NOTE: Kit includes four wheel assemblies. Wheel assemblies may be used in pairs, (i.e. two per goal) which would require lifting one end of goal to move. Alternately, four wheel assemblies may be installed on a soccer goal to avoid the need to lift. At least two people are required to properly move a soccer goal to prevent personal injury or damage to the goal.

- Unpack all parts and check against parts list to ensure that all have been included.
- Inspect all parts for damage. Report any damages to the trucking company.

IMPORTANT NOTICE:

1. Soccer goals must be securely anchored at all times.
2. Before each use, check to make sure all Safety/Warning labels are present and legible (see label drawing). If any are missing, contact your dealer or Jaypro Sports for replacement Safety / Warning labels.
3. Before each use, thoroughly inspect each goal to ensure it is properly anchored and all hardware is secured. Inspect all components for structure integrity. Replace any damaged or missing part or fasteners before using. Contact your dealer or Jaypro Sports, for repair or replacement parts.
4. NEVER climb on or allow anyone else to climb on the frame or net.
5. When moving soccer goals, use adequate manpower (no less than two people) and use extreme care to ensure the corners of the goal are not overstressed. Do not tug on the backstays when attempting to move goals from side to side,
6. Always remove nets when goals are not in use.
7. Properly store goals when not in use or during the off-season by disassembling, laying the goal on its face, placing goals face to face, or placing goal face first against a wall or fence.
8. Use of this equipment other than intended may be hazardous.
9. Alteration or modification of this equipment may be hazardous and result in injury.

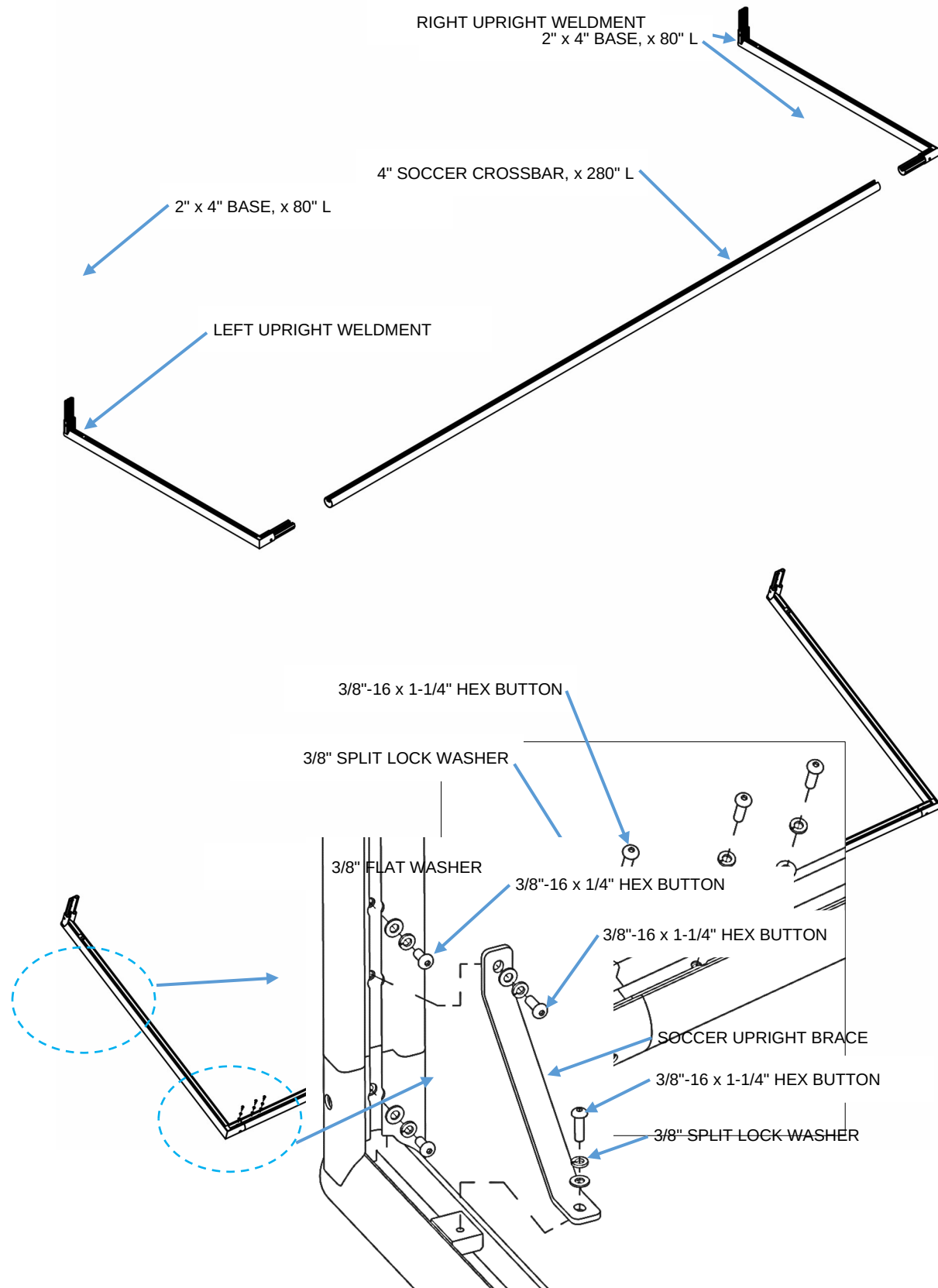
***** ASSEMBLY INSTRUCTIONS REQUIRES 3 PEOPLE *****

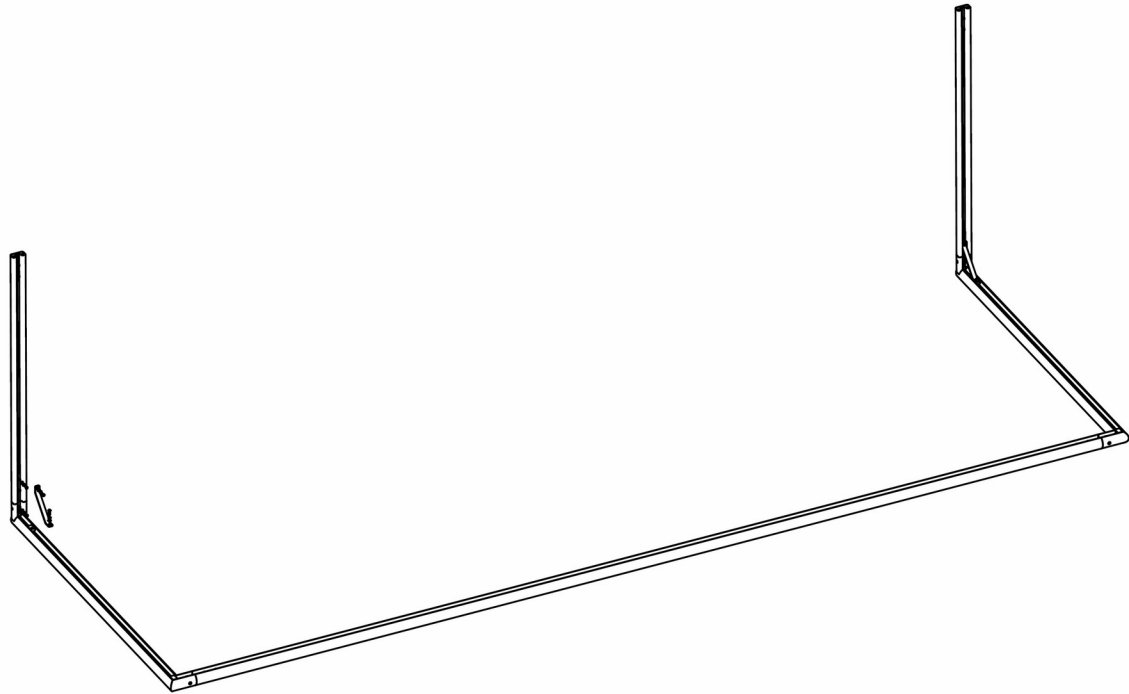
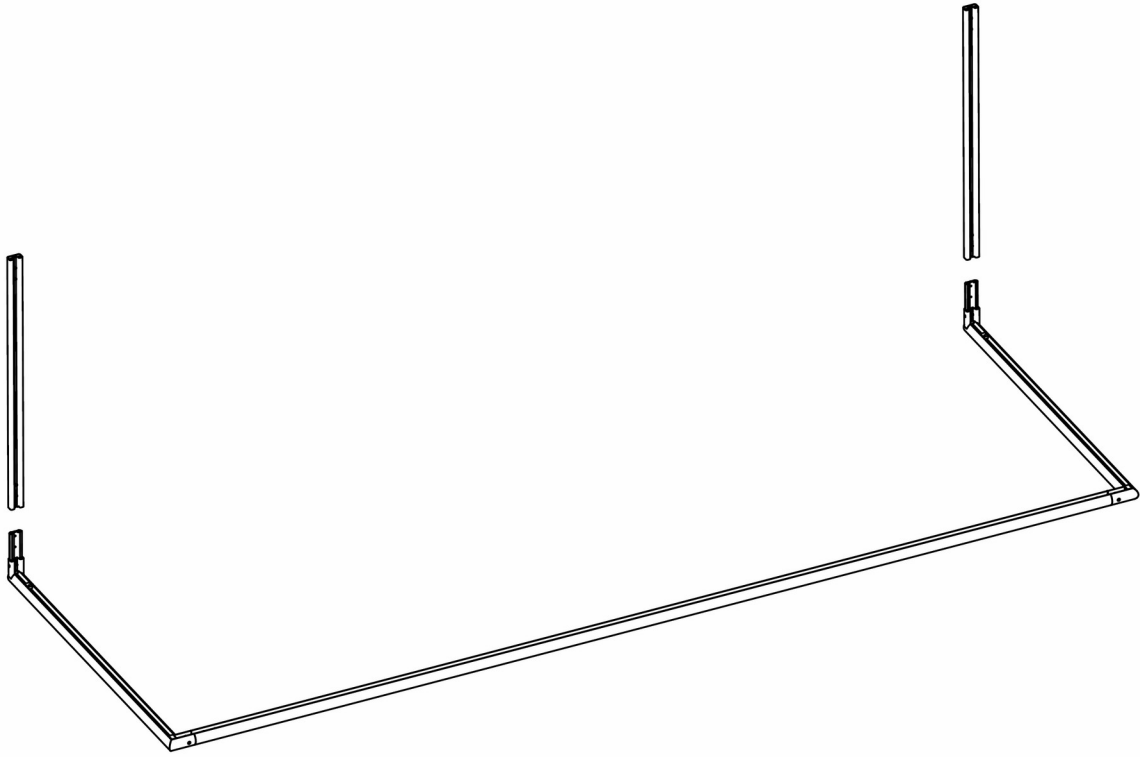
TOOLS REQUIRED:

- (1) 9/16" Socket Wrench and Box Wrench
- (1) 7/32" Allen Wrench
- (1) Rubber Mallet
- (1) Step Ladder

Front Goal Face Assembly:

1. Insert 4" crossbar x 280" long (6) into both left & right soccer uprights (1 & 2).
2. Install hardware loosely, as shown.
3. Insert 2" x 4" x 80" bases (7) into both left & right uprights (1 & 2).
4. Install hardware loosely, as shown.
5. Align parts and tighten hardware.

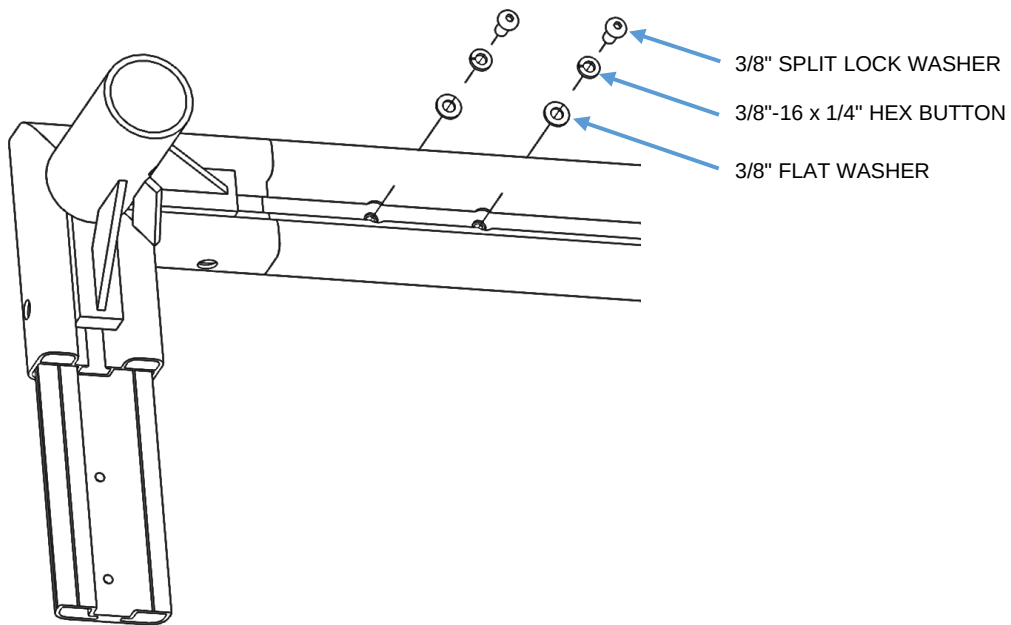
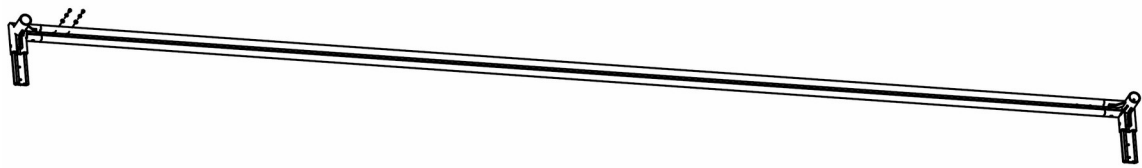
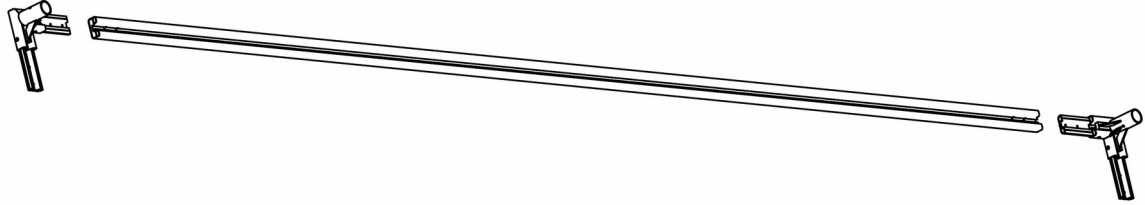




← 3/8" FLAT WASHER

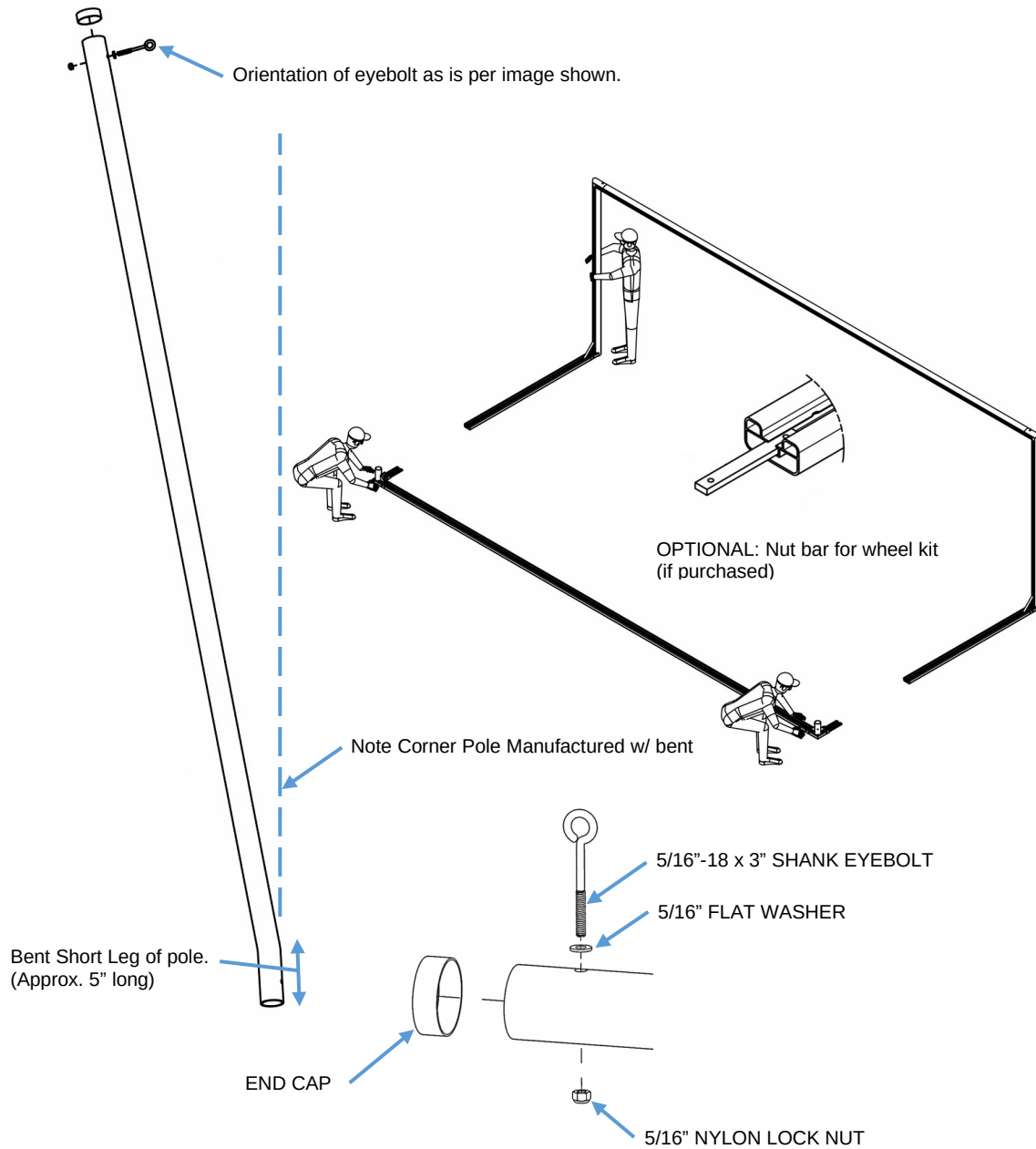
Bottom Goal Assembly:

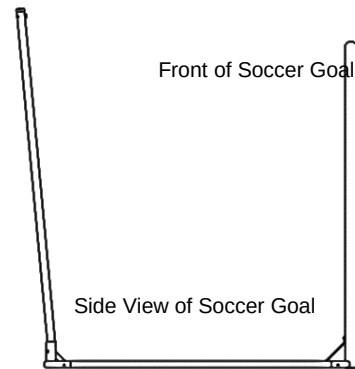
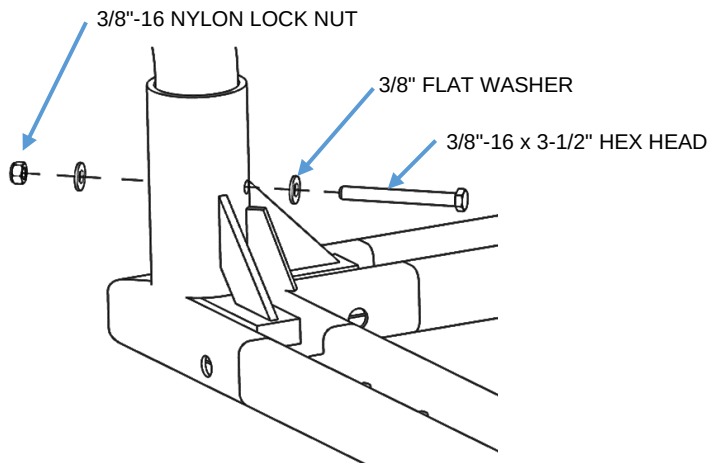
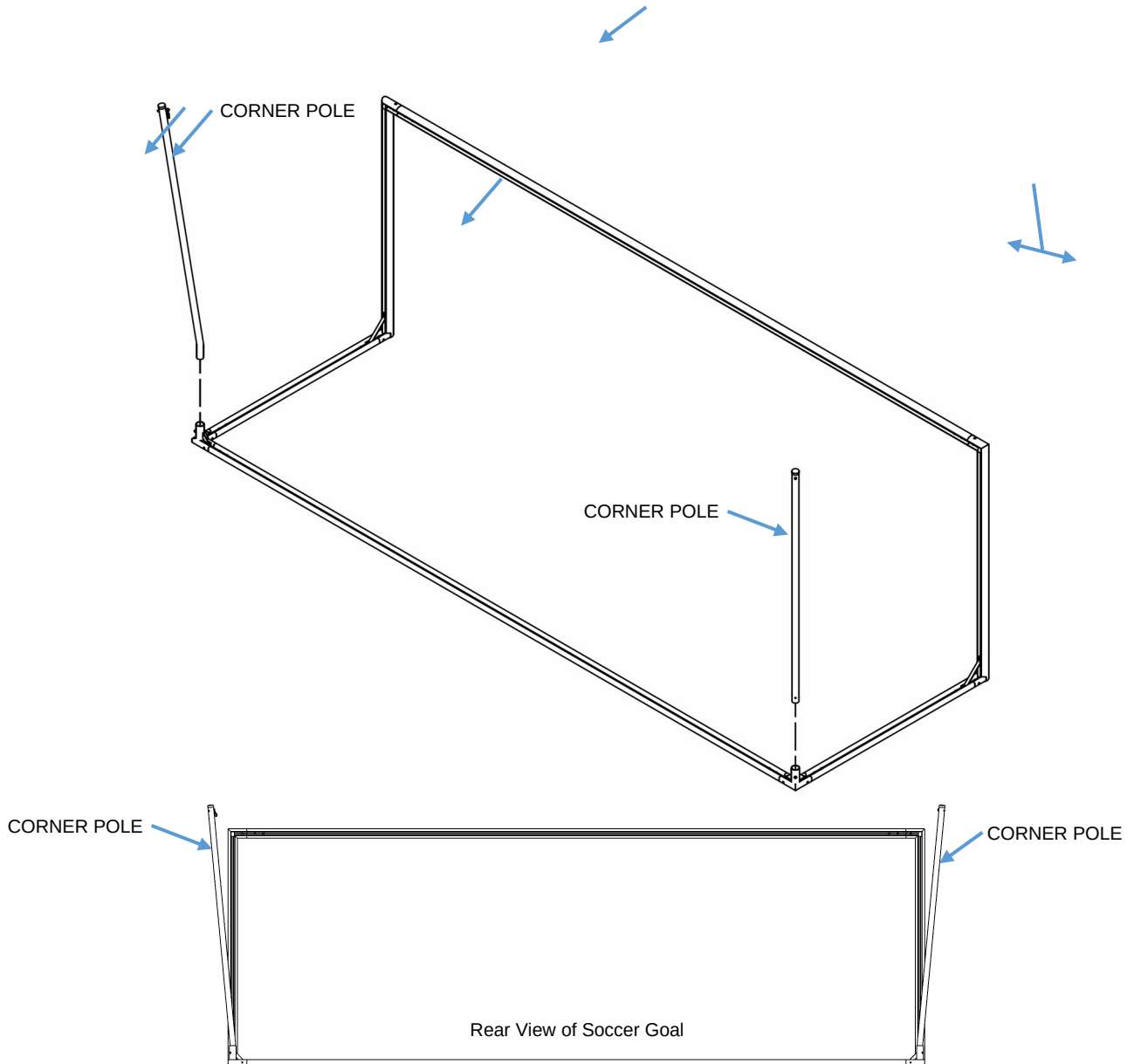
1. Insert one lower corner fitting into each end of the 2" x 4" x 280" rear crossbar.
2. Install hardware loosely, as shown.



Bottom Goal Assembly:

1. Stand front of soccer goal into the upright position. One person should securely hold the face of the goal in position.
 - a. Note: If wheel kit is to be installed, slide nut bars for wheel kit into each base member.
2. Assemble the rear pole; note only one gets the ratchet installed onto the eyebolt.
3. Install auxiliary soccer corner pole and line up the bend to point away from the goal. Note if the poles don't line up, flip the pole. Install hardware loosely; once parts are aligned tighten all hardware.





Net Attachment:

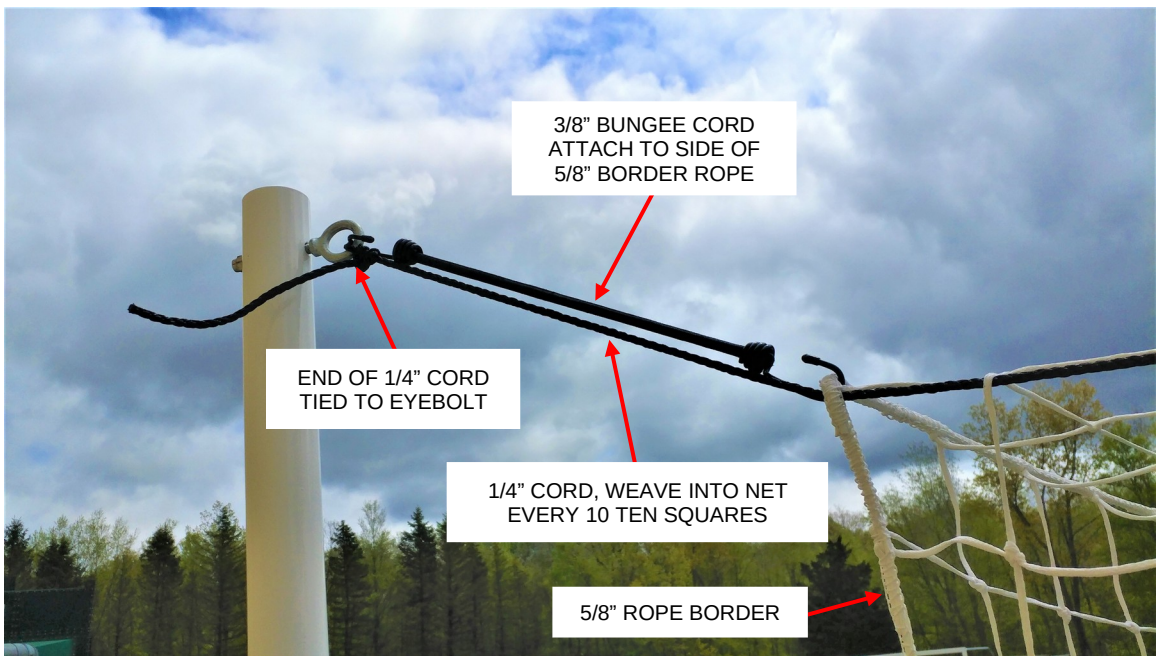
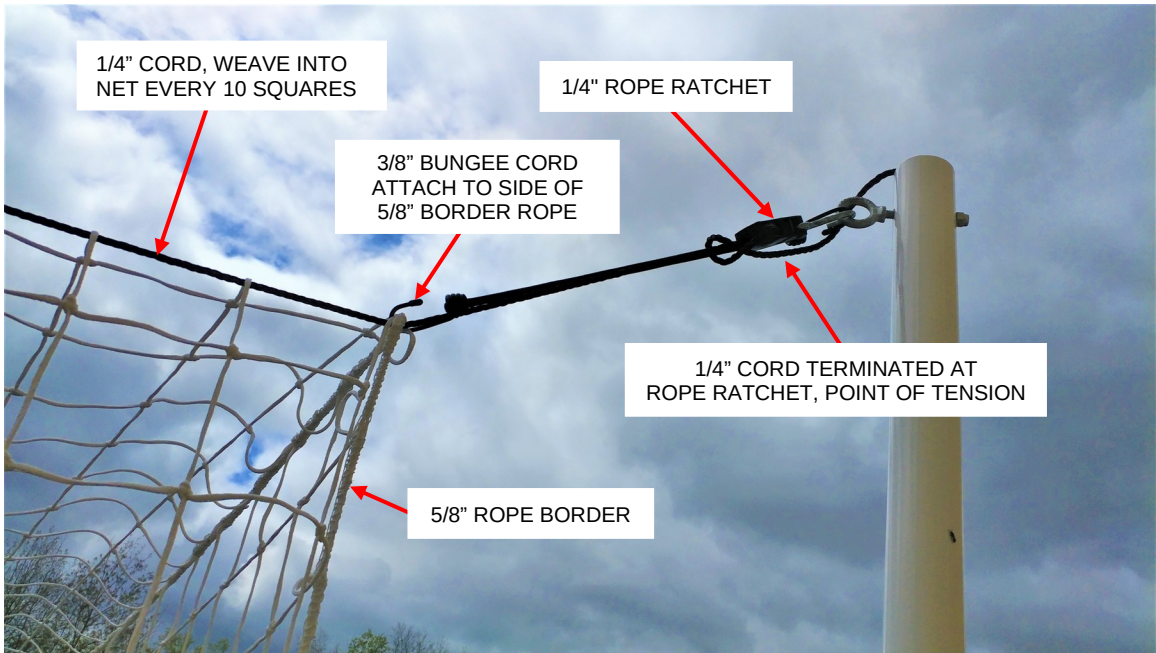
1. Lay out the net inside the goal and identify one of the front top corners.
2. Attach the net using the “Easy Clip” net attachment system. Use a ladder to attach the net to the top crossbar.
3. Loosely attach the rear cord, woven through the net, to the eyebolts in each rear corner posts. This will make it easier to finish attaching the remainder of the net to the goal.
4. **IMPORTANT:** The black cord should be loosely woven through the top edge of the net – roughly every ten squares. This will allow the net to slide side-to-side when the cord is tensioned. If the cord is more tightly woven, starting at one end, remove the cord and re-lace it.
5. Securely tie-off one end of the cord to one of the eyebolts. Take the other end of the cord and feed it thru the rope ratchet - following the direction of the arrow on the ratchet. (Note: if you are unable to feed the cord thru the rope ratchet replace the cord that came with the net with the one supplied separately).
6. Hook the ratchet to the other corner pole and draw the cord up tight. This will help define the top edge of the net, as the poles themselves will help provide tension on the cord. The excess cord can be trimmed or tied off.
7. Attach one of the bungee cords to each corner of the net as shown.



Dead End of Black Cord



Ratchet End



Safety / Warning Labels:

Safety and Warning labels, as required to meet ASTM Standards, are an important component to any soccer goal. Place labels according to the diagram below. Always inspect goals before each use to ensure that all labels are in place and legible. Contact your dealer or Jaypro Sports for replacement labels.

Label Placement Instructions:



PART# LL1059 QTY: 1

1. PLACE ONTO THE UNDER SIDE OF THE CROSSBAR.



*APPLIED BY JAYPRO QTY: 2
NOTE: MODEL # MAY DIFFER

2. PLACE ON SIDE UPRIGHT NEAR BRACING SUPPORT



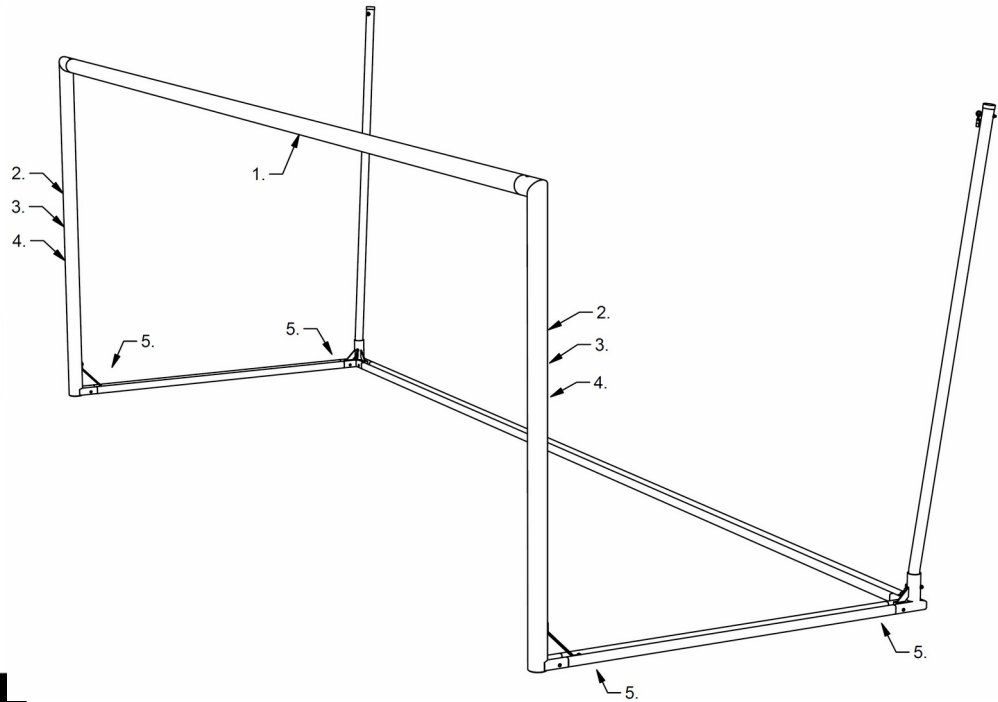
PART# SL0035 QTY: 2

3. PLACE ON SIDE UPRIGHT NEAR BRACING SUPPORT BELOW "ASTM INFO" STICKER.



PART# LL1086 QTY: 2

4. PLACE ON SIDE UPRIGHT NEAR BRACING SUPPORT BELOW "NEVER CLIMB" STICKER.



NOTE:
1) APPLY ALL LABELS AS SHOWN.
2) OFFICIAL RULES DO NOT ALLOW LABELS ON GOAL FACE.



PART# LL1085 QTY: 4

5. PLACE ON FRONT & REAR SIDES AT BASE OF THE GOAL.

***FOR ADDITIONAL STICKERS*
CONTACT JAYPRO SPORTS**



Jaypro strongly recommends that all portable soccer goals be anchored, to prevent accidental tip-over and serious injury. Never climb, or allow anyone else to climb on the frame or net.



Final Adjustments:

- Check to make sure the soccer goal frame is properly aligned and square. Securely tighten all button head and hex head hardware.
- With goal fully assembled, adjust tension of rear net as need using the ratchet. Recommend use a step ladder for ratchet adjustment, not to be done on ground level.
- Anchor soccer goal frame (SAS-95 included, see section on anchoring).

IMPORTANT NOTICE

The United States consumer product safety commission has adopted and published “*Guidelines For Movable Soccer Goal Safety*”. These guidelines offer information on the installation, use, and storage of full-size portable soccer goals and through these guidelines; it is the commission’s intent to help prevent serious injuries or death resulting from accidental soccer goal tip over.

Securely anchoring portable soccer goals, at all times, is one important and effective way to improve soccer goal safety. The proper selection of appropriate anchoring devices is dependent upon a number of factors and is unique to individual circumstances. Key elements to consider are:

- 1) Goal weight, inherent stability and type of construction;
- 2) Local field conditions and soil moisture content;
- 3) Expected usage level and overall degree of field supervision;
- 4) The need to relocate or remove the goal on a regular or continuing basis.

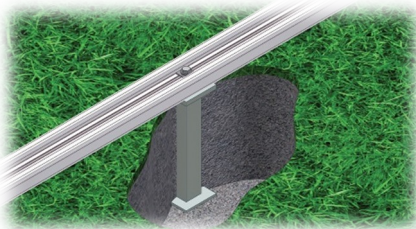
As a charter member of the **Coalition To Promote Soccer Goal Safety**, Jaypro endorses the efforts of the commission and others in this cause. Our trained sales staff is available to discuss the variety of goal anchors that we offer and to help you in making the best choice for your individual application.

Anchoring Systems:

IMPORTANT – PORTABLE SOCCER GOALS SHOULD BE ANCHORED AT ALL TIMES.

There are three categories of anchors suitable for securing soccer goals.

Semi-Permanent In-Ground Anchors: SGA-60



Semi-permanent in-ground anchors are the most secure type of anchor, as they are not dependent on soil conditions or subject to improper placement or dislodging. The anchor itself is permanently cemented into the ground and the goal is securely bolted onto it.

Portable In-Ground Anchors: SAS-95, SGA-91 & SS-18

There are three types of portable in-ground anchors. The type of anchor required is dependent upon the type of soil condition encountered. The effectiveness of these anchors is a function of style and length.

- Auger style anchors, 18" or longer, are used in loose and sandy soils.
- J-Hook Stake anchors, 18" or longer, are used in firm and compressed soil types; such as bams, which are a class of soil composed of varying mixtures of sand, silt and clay.
- Spike anchors, 18" or longer, are used in firm to tightly compacted soils, such as clays. These anchors are 3/4" in diameter with serrated ends, and steel wire lanyard.



Auger
SAS-95

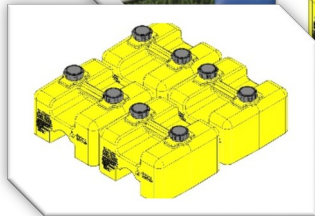
JHook
SGA-91

Spike
SS-18

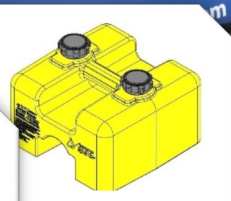
Portable Surface Anchors: SW B-451, SGA-51 & SGA-50



Surface anchors are ideal for the newer synthetic surfaces or artificial fields, where an in-ground anchor is not feasible or desired. These types of anchors include sand bags, tethered anchor weights and sit upon anchor weights. These anchors are easy to use, but require consideration regarding the amount of weight used. The amount of counterweight necessary to meet the ASTM standards to prevent tipping is dependent on the size and geometry of the goal. The table below lists the amount of counterweight required for each goal. Counterweights should be placed upon the rear crossbar, located towards the two rear corners.



SGA-50



SGA-51

SW B-451

Portable Soccer Goal Required Counter Weights

Model #	Counter Weight	Label #
SGP-850	150 lbs	SL0085