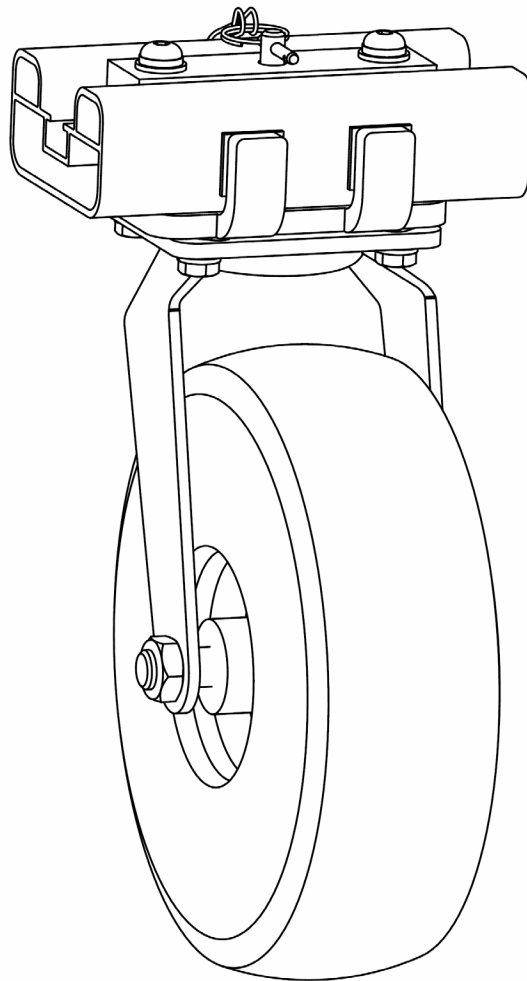




-- SGSWK --
Installation Instructions

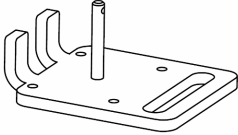
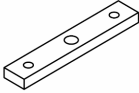
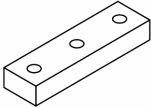


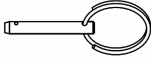

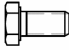
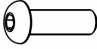


Call Jaypro Sports Equipment at 1-800-243-0533
during regular business hours for technical support.

www.jayprosports.com

SGSWK

PARTS LIST (QTY: FOR A PAIR OF GOALS)

ITEM	IMAGE	DESCRIPTION	QTY
1		SWIVEL WHEEL MOUNT P/N: SGSWK-A	4
2		TAP ALUMINUM FLAT BAR P/N: AR5244	8
3		3/4" THICK ALUMINUM FLAT BAR P/N: AR5243	8
4		3/8" LOCK WASHER, SS P/N: HW2152 / HW334	32
5		3/8" FLAT WASHER, SS P/N: HW2151 / HW2047	32
6		3/16" x 1" QUICK RELEASE PIN P/N: HM6645	4
7		CASTER SWIVEL WHEEL P/N: CS0034	4
8		3/8-16 x 3/4" HEX CAP SCREW, ZP P/N: HS743	16
9		3/8-16 x 1-1/4" HEX BUTTON SCREW, SS P/N: HS5225	8
ITEM	IMAGE	DESCRIPTION	QTY

IMPORTANT NOTICE:

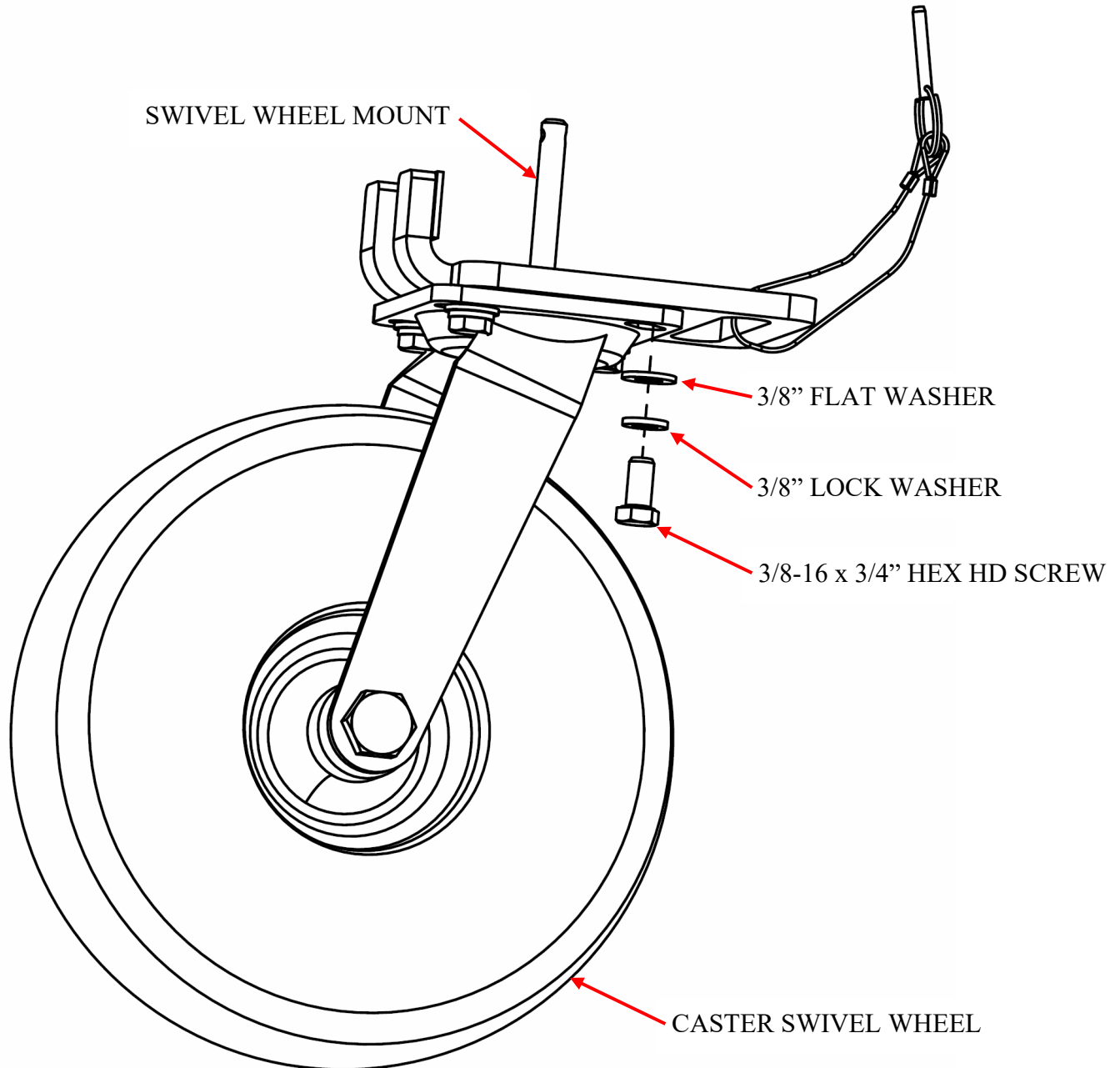
1. Soccer goals must be securely anchored at all times.
2. Before each use, check to make sure all Safety/Warning labels are present and legible (see label drawing). If any are missing, contact your dealer or Jaypro Sports for replacement Safety / Warning labels.
3. Before each use, thoroughly inspect each goal to ensure it is properly anchored and all hardware is secured. Inspect all components for structural integrity. Replace any damaged or missing parts before using. Contact your dealer or Jaypro Sports for repair or replacement parts.
4. NEVER climb on or allow anyone to climb on the frame or net.
5. When moving soccer goals, use adequate manpower (no less than two people) and use extreme care to ensure the corners of the goal are not overstressed. Do not tug on the backstays when attempting to move goals from side to side.
6. Always remove nets when goals are not in use.
7. Properly store goals when not in use or during the off-season by disassembling, laying the goal on its face, placing goals face to face, or placing goal face first against a wall or fence.
8. Use of this equipment other than intended may be hazardous.
9. Alteration or modification of this equipment may be hazardous and result in injury.

Tools Require:

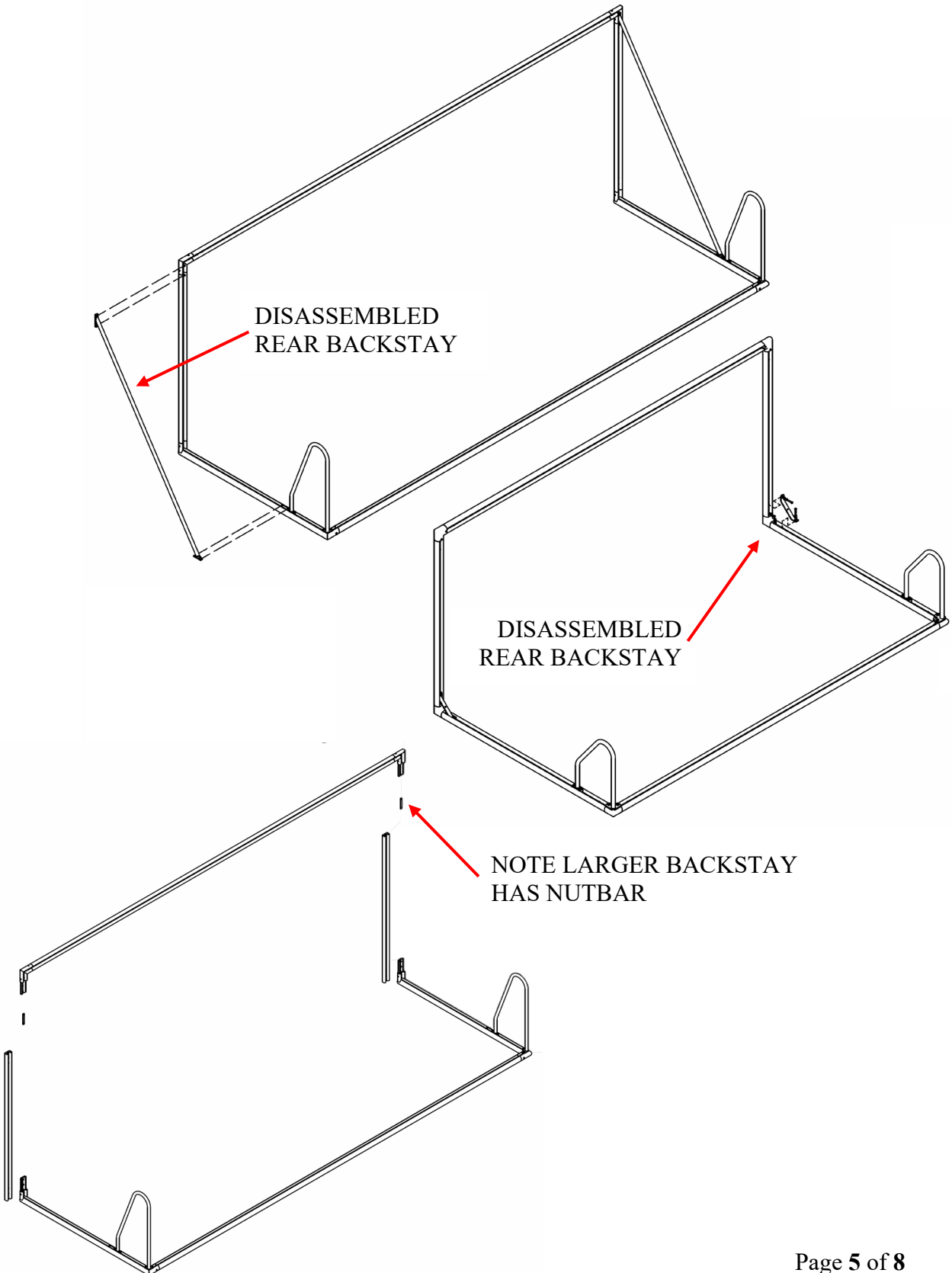
- 1 9/16" Socket Wrench and Box Wrench
 - 1 7/32" Allen Wrench
 - 1 Rubber Mallet
 - 1 Step Ladder
- Unpack all parts and check against parts list to ensure that all have been included.
 - Inspect all parts for damage. Report any damages to the trucking company.

Assembly:

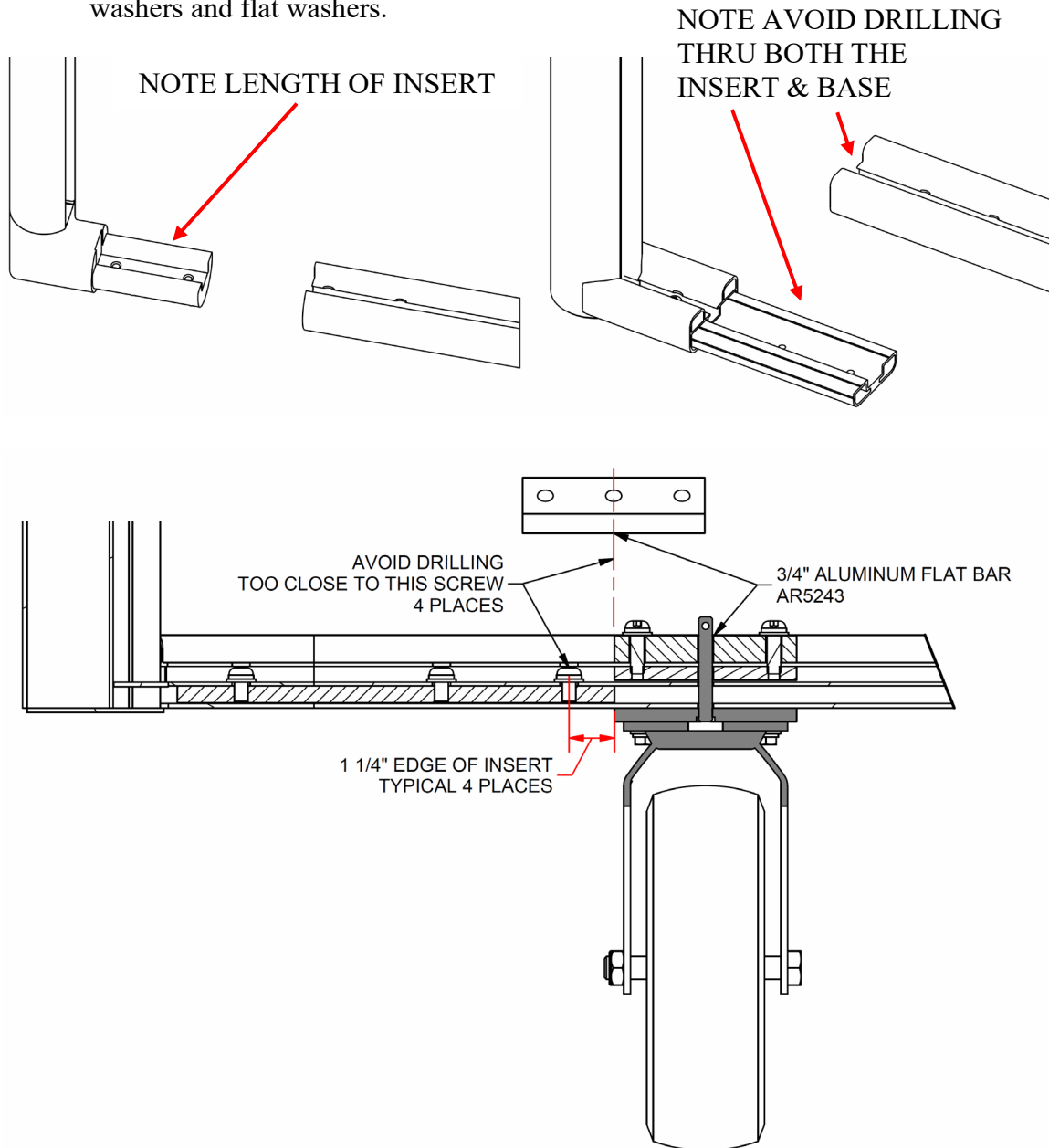
- 1) Assemble all the caster swivel wheel to the swivel wheel mount. Using (4) 3/8-16 x 3/4" hex head cap screws, (4) lock washers and (4) flat washers. Note hex heads are installed from underneath the caster swivel wheel.

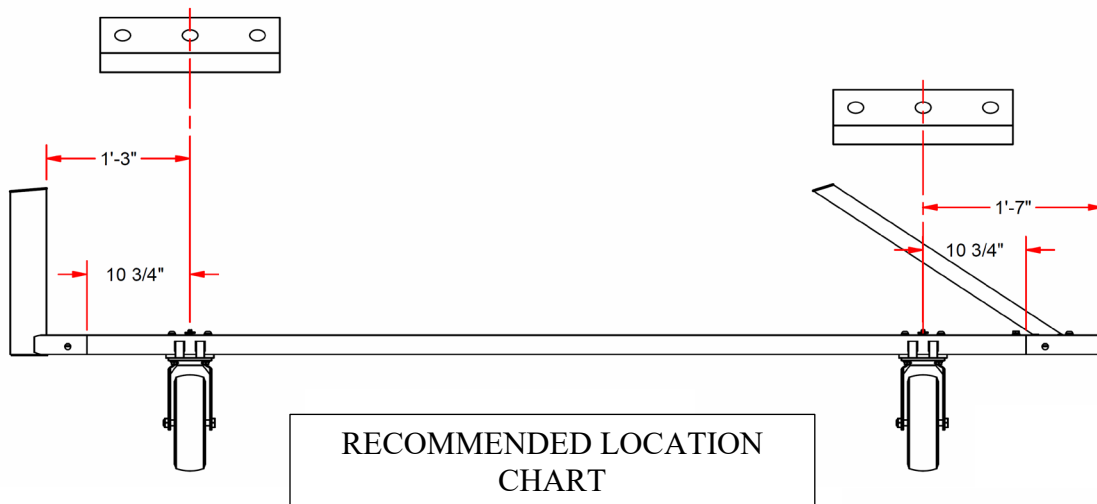


- 2) If installing this kit from an existing soccer goal. Goal must be disassembled to have clear access to the bottom base soccer extrusion.
- 3) If installing this kit onto a new soccer goal locate the extruded aluminum pipe called the base. Length of base 3" round is 52", 64", 88", 98" or 106" long.



- 4) Using the aluminum flat bar as a guide to drilling thru the soccer goal base extruded aluminum pipe. Verify location using the recommend chart or if preferred to have wheels closer to the edge of soccer goal. Check length of insert does not interfere where the drilling takes place.
- 5) Confirm location and drilled holes into soccer base. Note you can use the tap bars as a drilling fixtures by assembling the 3/8" x 1 1/4" button head screws with lock washers and flat washers.





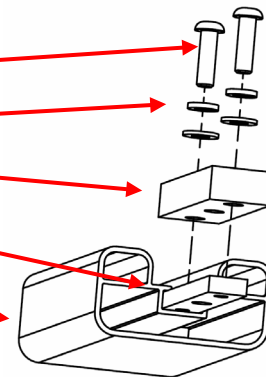
3/8-16 x 1 1/4" HEX BUTTON SCREW

3/8" LOCK WASHER & FLAT WASHER

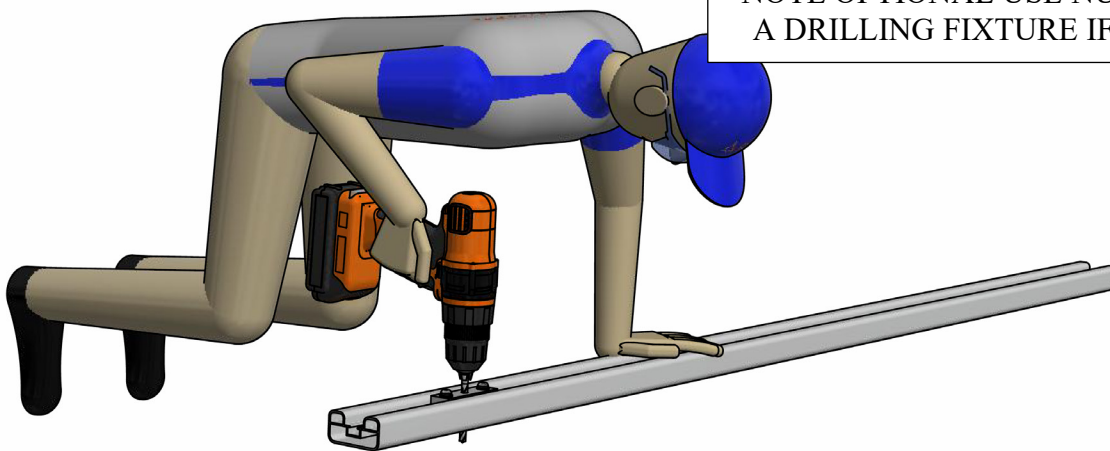
3/4" THICK ALUMINUM FLAT BAR

TAP ALUMINUM FLAT BAR

SOCCER BASE



NOTE OPTIONAL USE NUT BARS AS A DRILLING FIXTURE IF DESIRED.



- 6) Once drilling is done, deburr and clean up any metal scraps. Touch up white powder coat with aerosol spray-can if desired.
- 7) Slide the tap aluminum nut bars into the extruded soccer goal base, more than one depending on the type of soccer goal that has a larger backstay brace.
- 8) Reassemble / complete rest of goal assembly

- 9) Two people are required to safely move any portable soccer goal. The wheel kit is designed to re-attach to the base members on each pair of goals. Use of the wheel kit requires lifting the front / rear of the goal to move.

