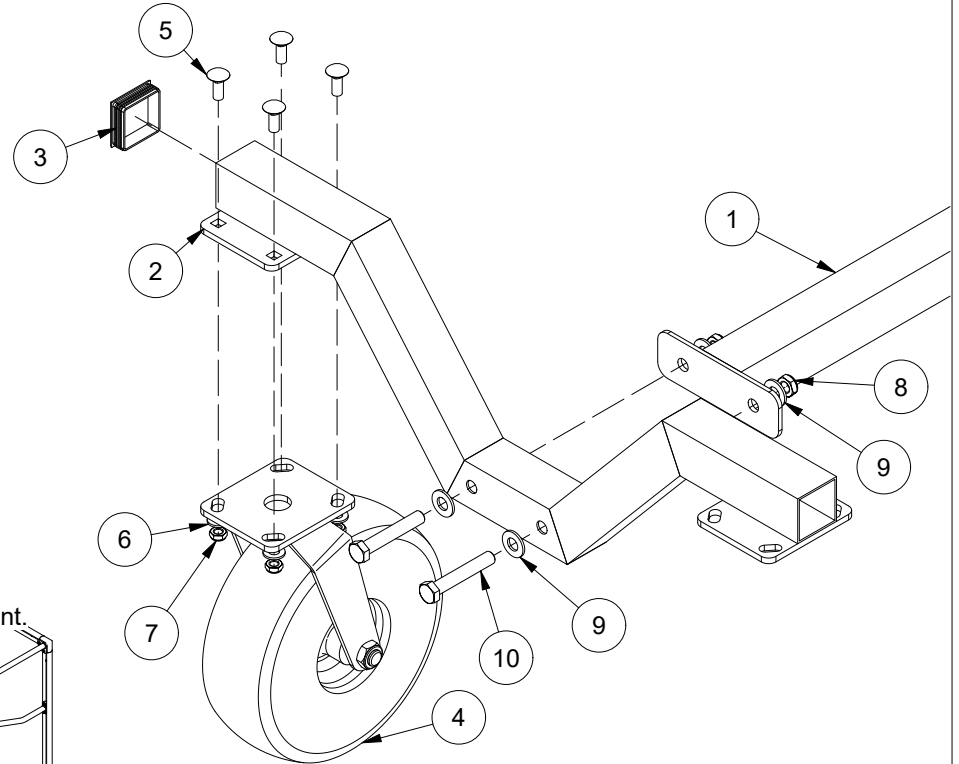
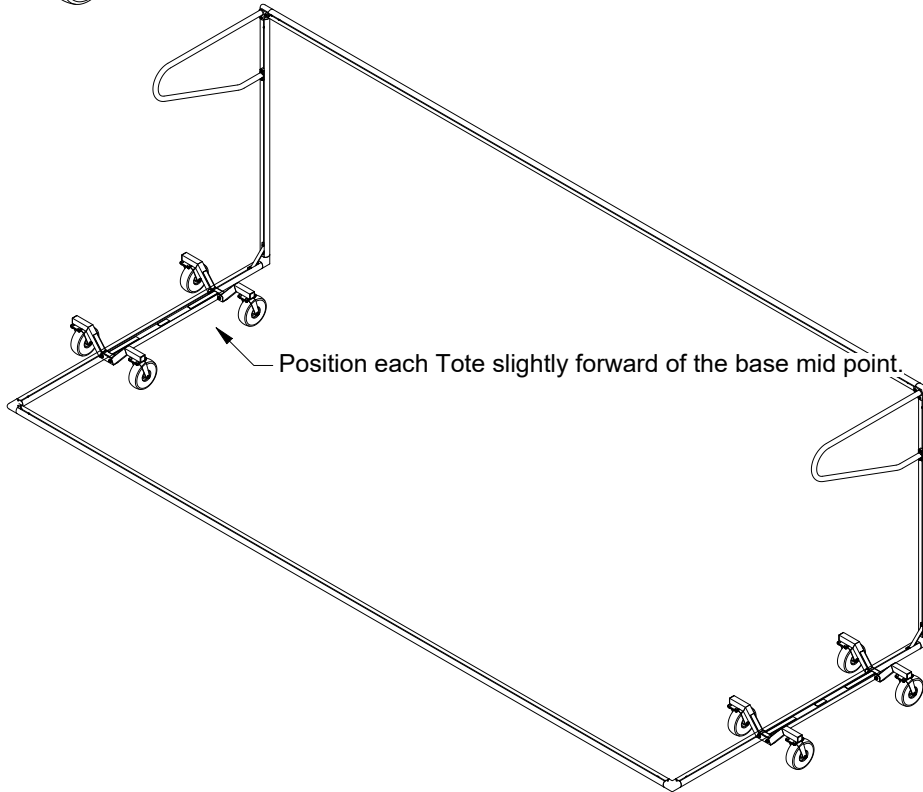
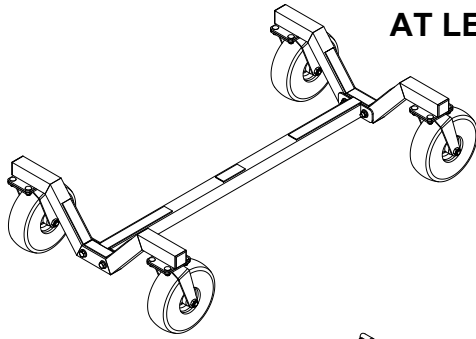


**REMEMBER - GOALS MUST BE ANCHORED AT ALL TIMES, WHEN NOT TRANSPORTING
DO NOT USE GOAL FOR PLAY WHEN SITTING ON THE TOTES
AT LEAST TWO PEOPLE ARE REQUIRED TO LIFT GOAL ONTO TOTE AND MOVE IT.**




1) Check for structural integrity and proper connecting hardware before every use. Replace damaged or missing parts or fasteners immediately.

2) Always exercise extreme caution when moving goals and provide adequate manpower to move goals of varied sizes and weights. Moveable soccer goals should only be moved by authorized personnel.

3) NEVER allow anyone to climb on the net or goal framework.

Quantities below are for one single unit

ITEM	QTY	PART #	DESCRIPTION
1	1	SGT-24-A	BOLT ON CENTER
2	2	SGT-24-B	SOCCER CART END
3	4	EP0018	2" x 2" BLACK SQUARE TUBE CAP
4	4	CS0034	CASTER SWIVEL 10X2.75
5	16	HB5013	3/8-16 x 1 CARRIAGE BOLT-ZP
6	16	HW2047	3/8 SAE WASHER-ZP-GrNC
7	16	HN1230	3/8-16 UNC-Thin Nylon Lock Nut-ZP-GrNC
8	4	HN268	1/2-13 UNC-Thin Nylon Lock Nut-ZP-GrNC
9	8	HW2044	1/2 SAE WASHER-ZP-GrNC
10	4	HS5160	1/2-13 x 3 HEX CAP SCREW-ZP-Gr5

	MODEL NUMBER:	SGT-24	CHECKED BY:	BB
	PRODUCT NAME:	SOCCER GOAL TOTE		
976 Hartford Turnpike Waterford, CT 06385 USA (800)243-0533 Fax: (800)988-3363 www.jaypro.com	DATE:	10/10/2019	REV:	-
	DRAWN BY:	Moune T.	SHEET:	1 OF 1