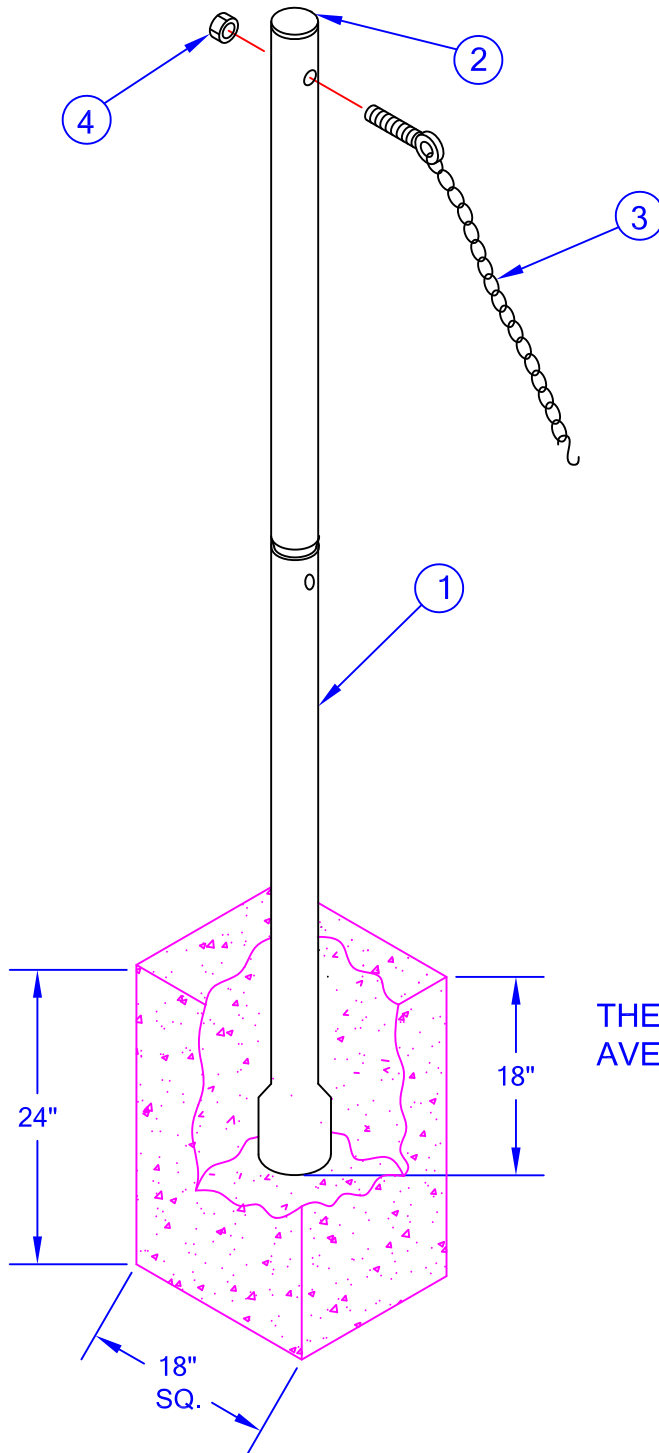


PLEASE NOTE:

- 1) FOR SAFE OPERATION AND CONTINUED HIGH PERFORMANCE FROM THIS EQUIPMENT, INSPECTION AND MAINTENANCE MUST BE PERFORMED BEFORE EACH USE
- 2) USE OF THIS EQUIPMENT OTHER THAN INTENDED, MAY BE HAZARDOUS.
- 3) ALTERATION OR MODIFICATION OF EQUIPMENT MAY BE HAZARDOUS. FOR REPAIR OR REPLACEMENT, PLEASE CALL YOUR DEALER



LIST OF MATERIALS

TETHERBALL POST-PERMANENT, TBP-250

PIECE NO.	PART NO.	DESCRIPTION	QTY.
1	TBP251A	UPRIGHT POST	1
2	AF65	TOP CAP	1
3	TBP2751B	EYEBOLT WITH CHAIN	1
4	HN261	HEX NUT 5/16"-18	1

THESE ARE MINIMUM SUGGESTED DIMENSIONS FOR AVERAGE SOIL CONDITIONS.

Jaypro Sports

976 Hartford Turnpike
 Waterford, CT 06385 USA
 (800)243-0533
 (800)988-3363 Fax
 www.jaypro.com

MODEL NO.:
TBP-250

PRODUCT NAME:
 TETHERBALL POST
 PERMANENT

DRAWN BY: JAC EFFECTIVE DATE:
 5/26/2021