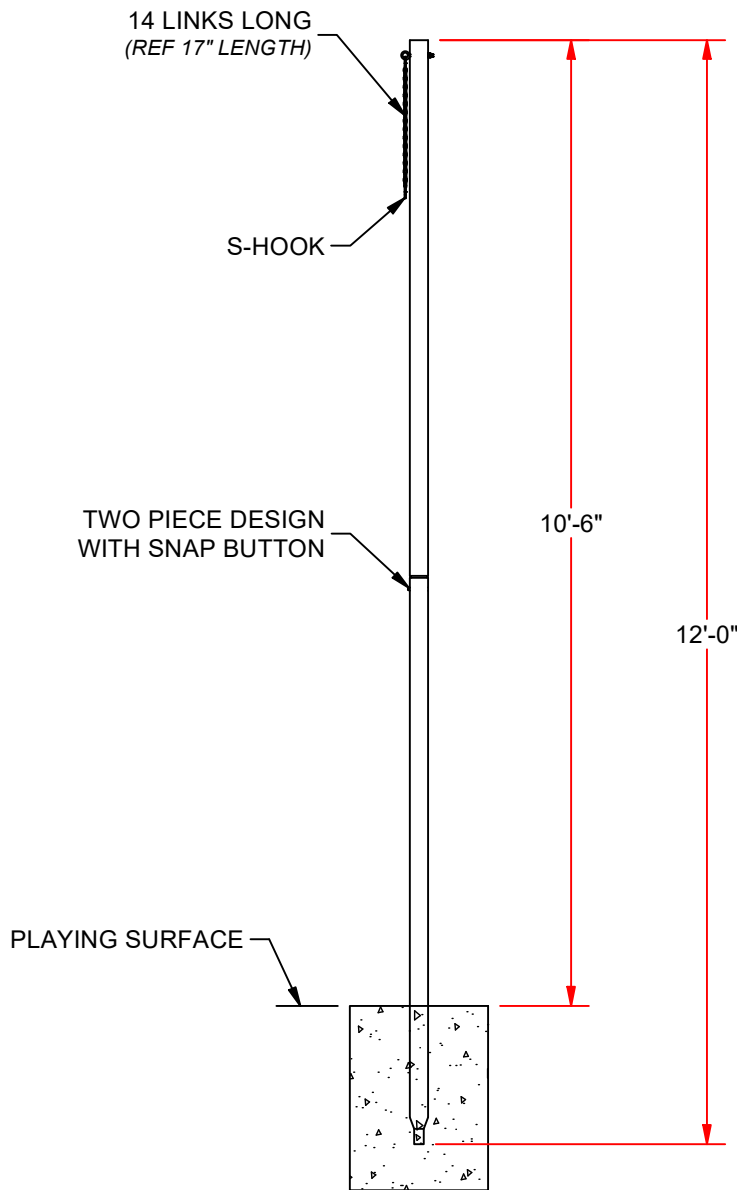
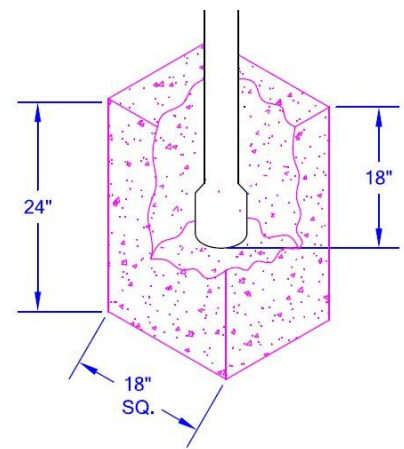


HEAVY-DUTY PERMANENT TETHERBALL POLE



OPTIONAL TETHERBALL
SOLD SEPARATELY
P/N: TBP-BALL



PERMANENT
FOOTING DETAIL

FEATURES:

- > 2-3/8" O.D. GALVANIZED STEEL TWO-PIECE UPRIGHT, 8-1/2 FT TALL INSTALLED
- > 18" DEEP WITH TOP CAP, S-HOOKS AND CHAIN INCLUDED
- > WITHOUT BALL (TBP-250) EACH
- > WITH BALL (TBP250PKG) PACKAGE
- > ADDITIONAL TETHERBALL (TBP-BALL) SOLD SEPARATELY

*NOTE: FOUNDATION TO BE DESIGNED BASE ON LOCAL BUILDING CODES AND SOIL CONDITIONS.



TBP-250

HEAVY-DUTY PERMANENT TETHERBALL POLE

© COPYRIGHT 2021 JAYPRO SPORTS, LLC. ALL RIGHTS RESERVED THIS PRINT IS THE PROPERTY OF JAYPRO SPORTS, LLC. AND MAY NOT BE REPRODUCED WITHOUT WRITTEN PERMISSION

www.jayprosports.com
(800) 243-0533
976 Hartford Turnpike
Waterford, CT 06385 USA

Rev:

SHEET 1 OF 1