



**--- VNK11, VNK22 & VNK33 ---**  
**(SINGLE, DOUBLE & TRIPLE NET KEEPER)**  
**Installation Instructions**



Call Jaypro Sports Equipment at 1-800-243-0533 during regular business hours for technical support.

[www.jaypro.com](http://www.jaypro.com)

## JAYPRO SPORTS

### VNK11, VNK22 & VNK33 SINGLE, DOUBLE & TRIPLE NET KEEPER

#### IMPORTANT NOTICE:

- 1) BEFORE EACH USE CHECK EQUIPMENT FOR PROPER CONNECTING HARDWARE AND STRUCTURAL INTEGRITY. REPLACE DAMAGED OR MISSING HARDWARE IMMEDIATELY.
- 2) USE OF THIS EQUIPMENT OTHER THAN INTENDED, MAY BE HAZARDOUS.
- 3) ALTERATION OR MODIFICATION OF THIS EQUIPMENT MAY BE HAZARDOUS AND RESULT IN INJURY. FOR REPAIR OR REPLACEMENT, CONTACT YOUR DEALER OR JAYPRO SPORTS.

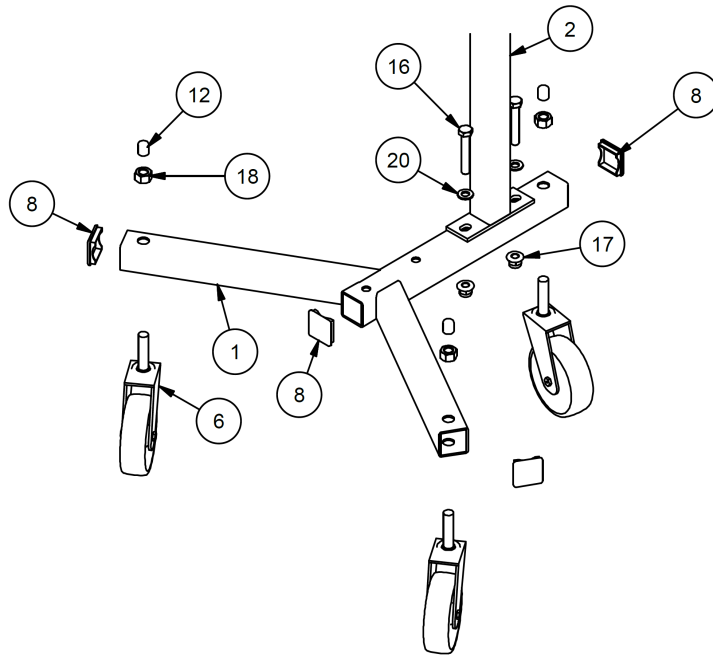
#### ASSEMBLY INSTRUCTIONS

#### TOOLS REQUIRED:

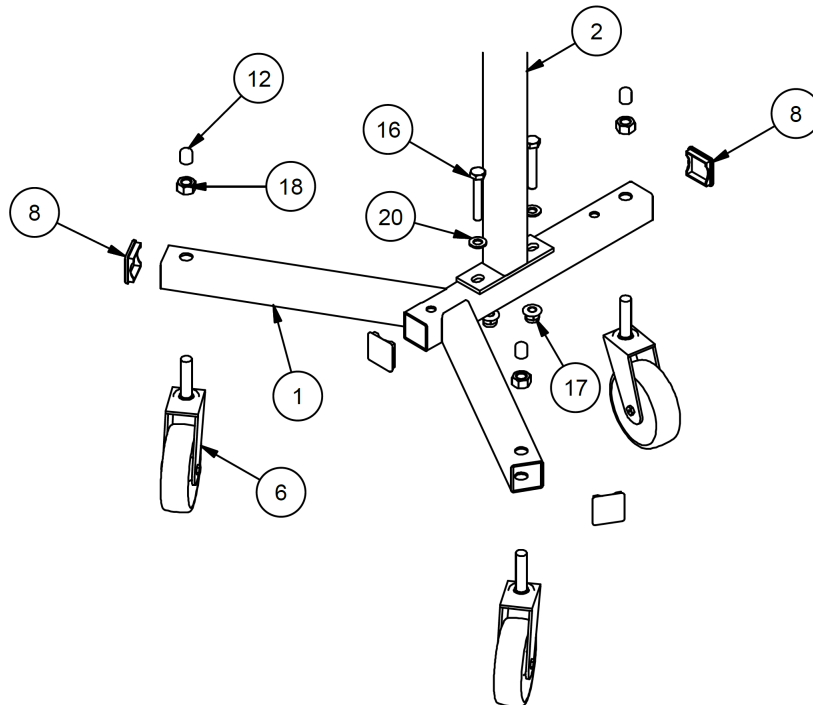
- (1) Socket Wrench and or Box Wrench
  - (1) Allen Wrench
  - (1) Rubber Mallet
- Unpack all parts and check against parts list to ensure that all have been included.
  - Inspect all parts for damage. Report any damages to the trucking company.

ITEM	DESCRIPTION	VNK11	VNK22	VNK33
1	BOTTOM FRAME	1	1	1
2	KNOCK DOWN TOWER FRAME	1	1	1
3	SINGLE, DOUBLE OR TRIPLE TOP FRAME	1	1	1
4	WINDER FRAME	1	2	3
5	HANDLE FRAME	1	2	3
6	SWIVEL MOUNT CASTER	3	3	3
7	M5 - 24 mm SPRING PIN	1	2	3
8	38 mm x 38 mm CAP	4	4	4
9	19 mm x 38 mm CAP	2	4	4
10	SOFT VINYL CAP - SMALL	3	6	9
11	SOFT VINYL CAP - LARGE	1	2	3
12	SOFT VINYL CAP - MEDIUM	3	3	3
13	M6 x 1 - 10 mm KNURLED CUP SET SCREW, ZP	1	2	3
14	M8 x 1.25 SOCKET PAN HD SCREW, ZP	1	1	1
15	M10 x 1.5 HX HD CAP SCREW, ZP (SHORT)	2	2	2
16	M10 x 1.5 HX HD CAP SCREW, ZP (LONG)	2	2	2
17	M10 x 1.5 NYLON FLANGE LOCK NUT, ZP	4	4	4
18	M14 x 1 NYLON FLANGE LOCK NUT, ZP	4	5	6
19	M8 x 1.25 NYLON FLANGE LOCK NUT, ZP	1	1	1
20	M10 FLAT WASHER, ZP	4	4	4
21	M14 STEEL WASHER, ZP	1	2	3
22	M14 NYLON WASHER	2	4	6
23	M8 FLAT WASHER, ZP	1	1	1
		QTY		

**ASSEMBLE BASE:**

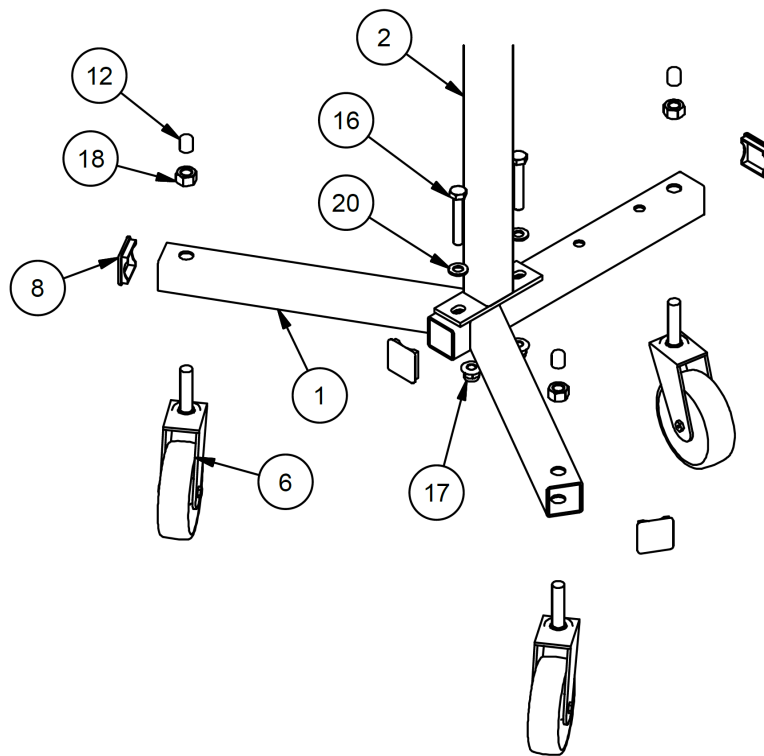


**VNK11 SINGLE NET KEEPER**  
**(SHOWN ABOVE)**

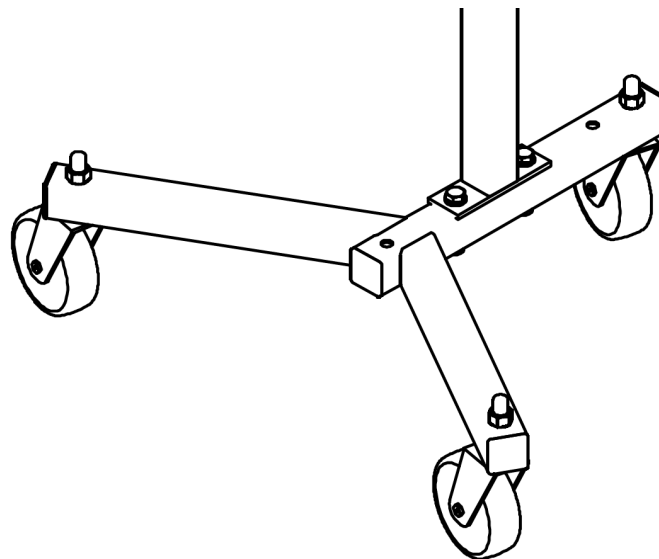


**VNK DOUBLE NET KEEPER**  
**(SHOWN ABOVE)**

**ASSEMBLE BASE: CONTINUE**

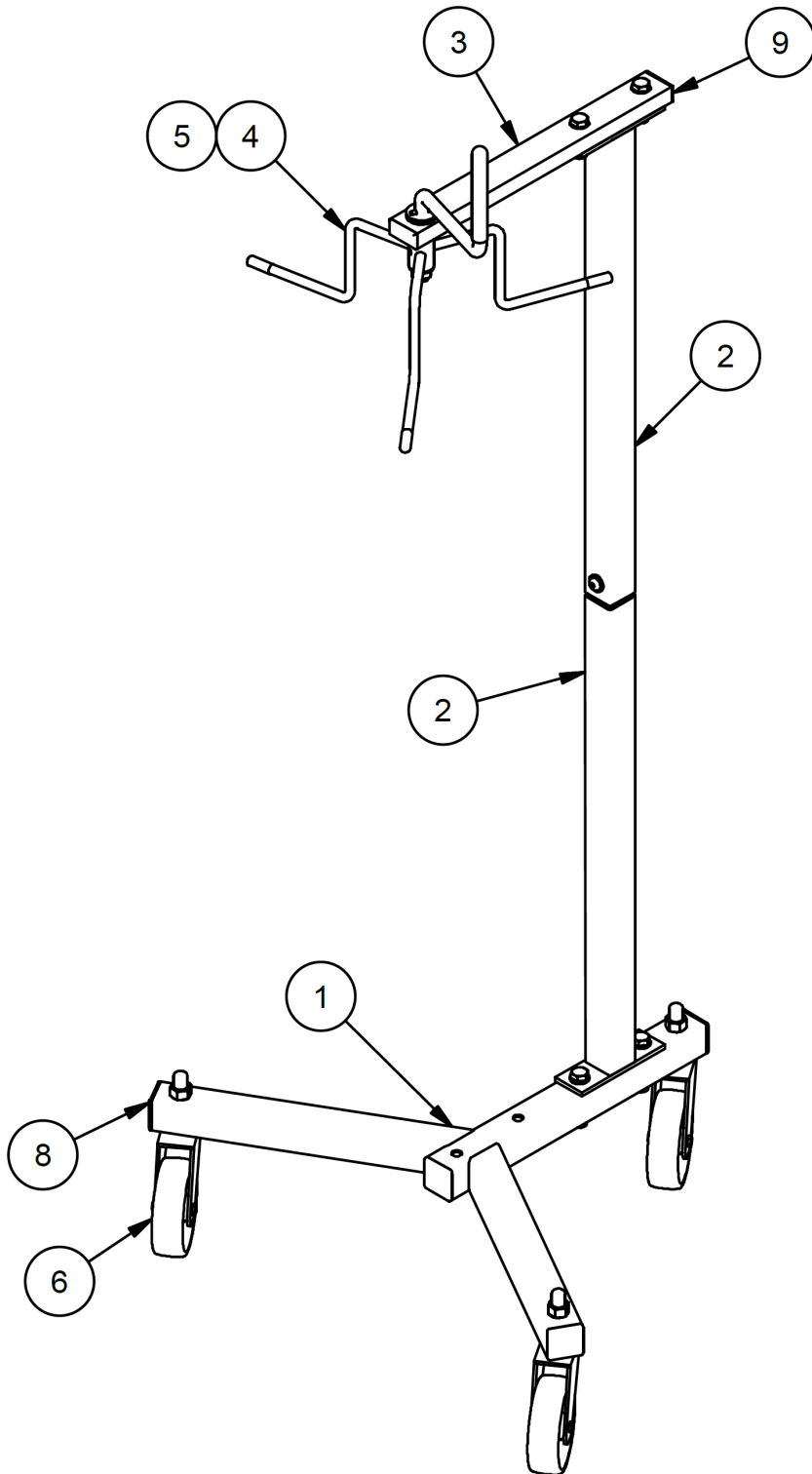


**VNK33 TRIPLE NET KEEPER**  
**(SHOWN ABOVE)**

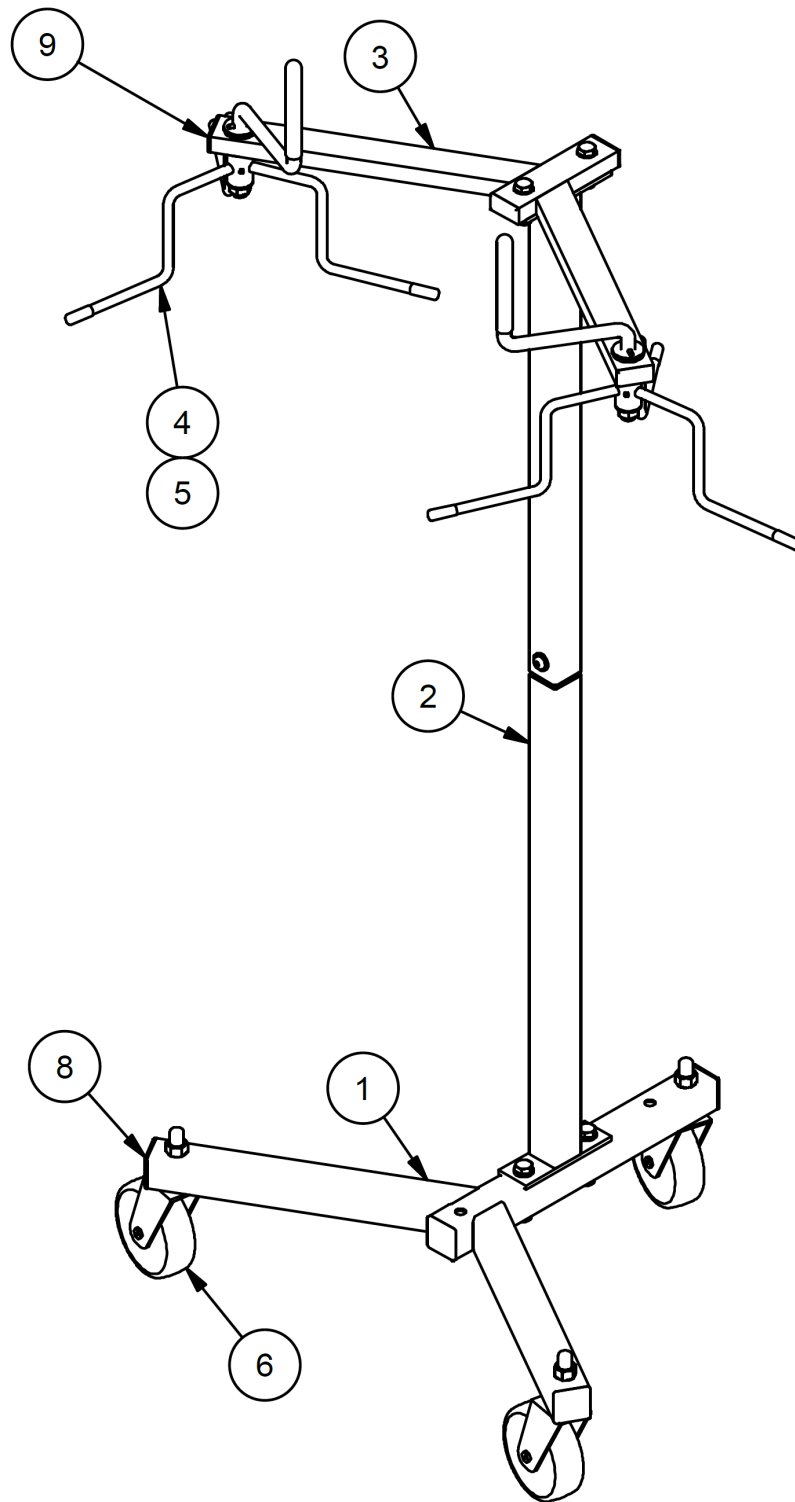


**LOCATION OF ITEM # 2 WILL DETERMINE THE STYLE**  
**(VNK22 SHOWN ABOVE)**

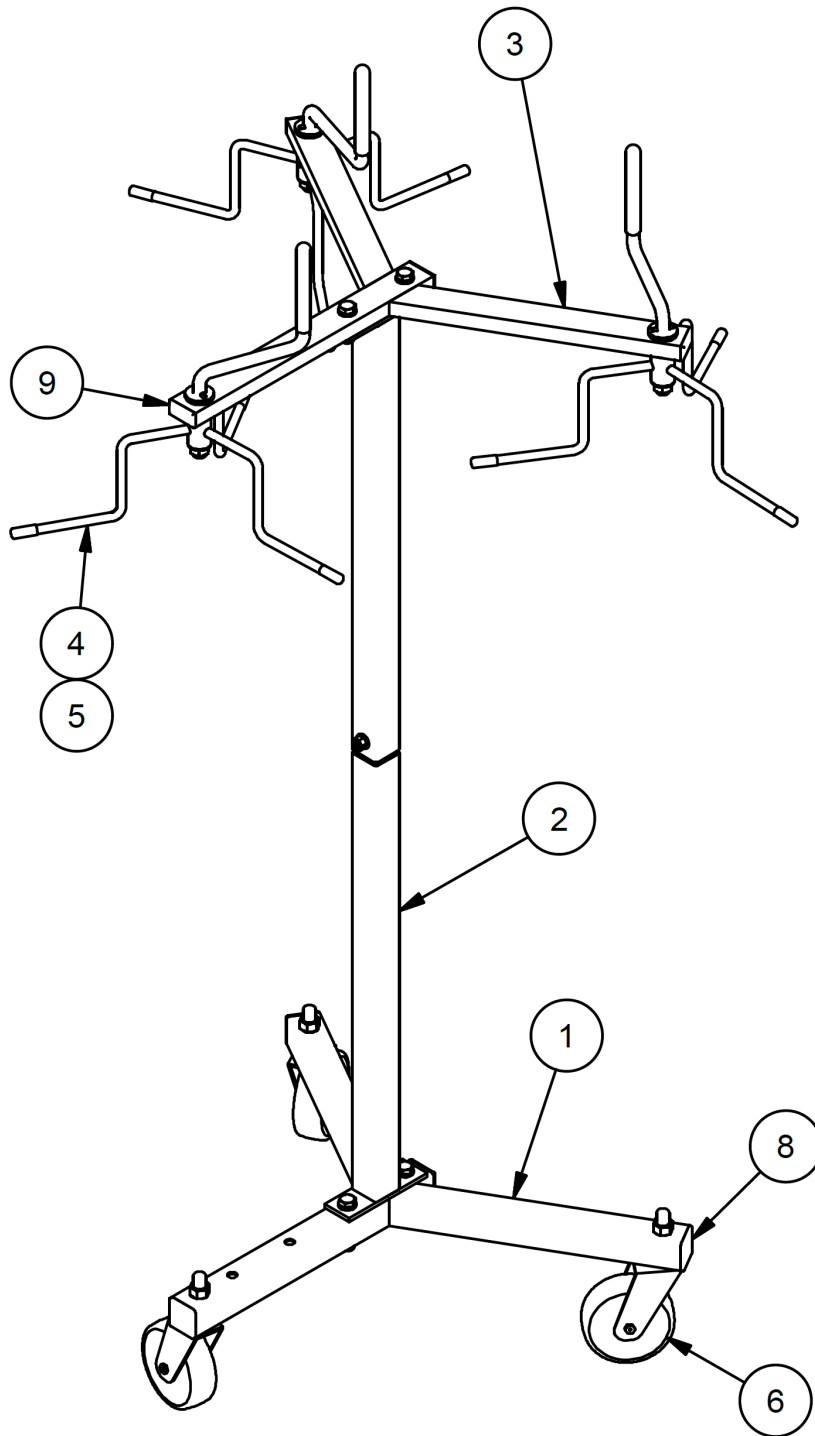




VNK11 SINGLE NET KEEPER  
(SHOWN ABOVE)



VNK DOUBLE NET KEEPER  
(SHOWN ABOVE)



VNK33 TRIPLE NET KEEPER  
(SHOWN ABOVE)