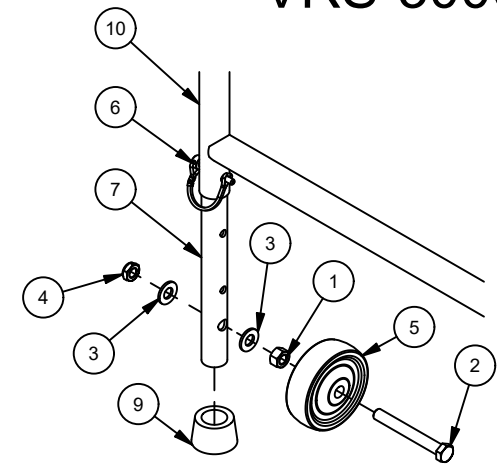
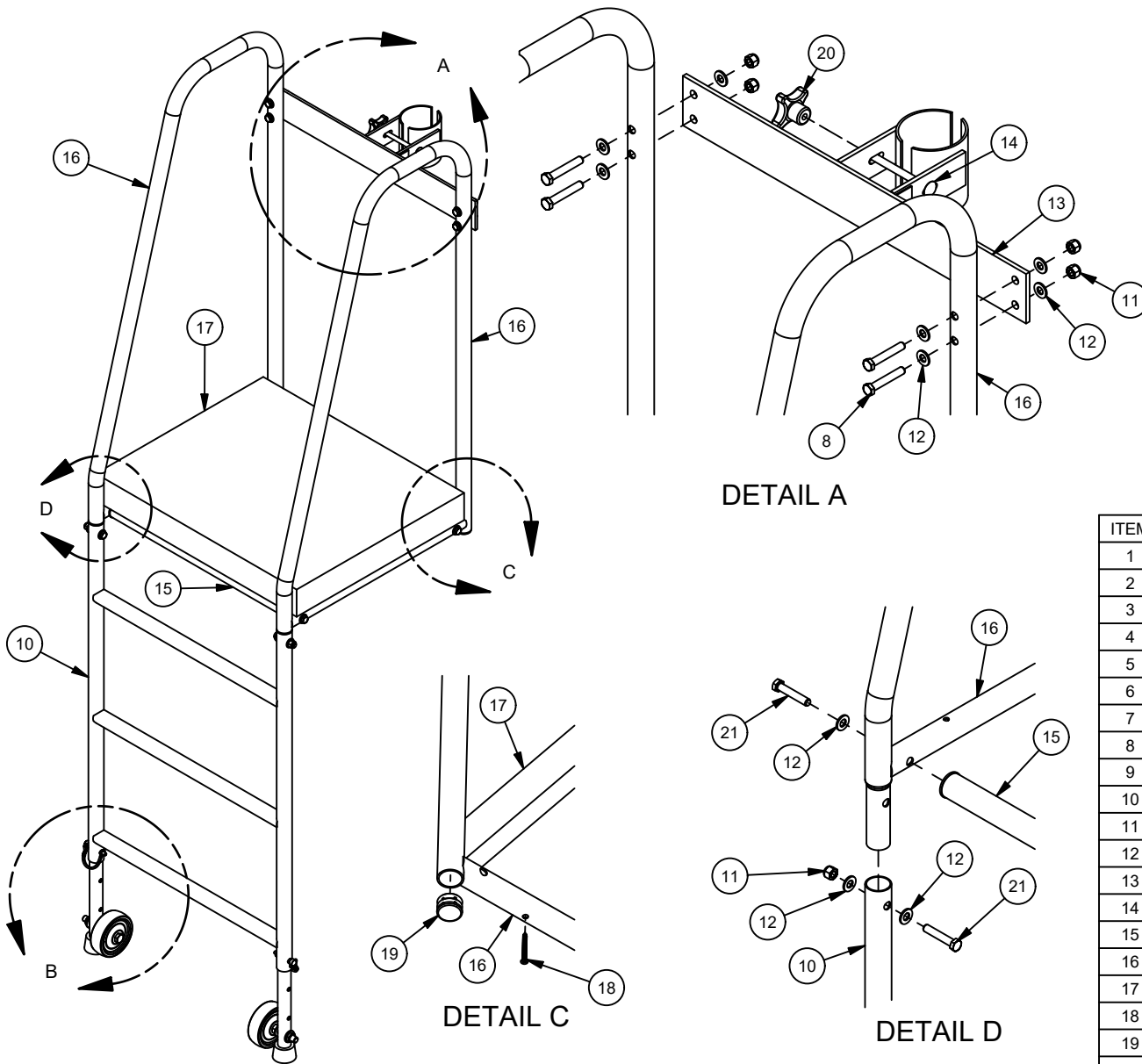
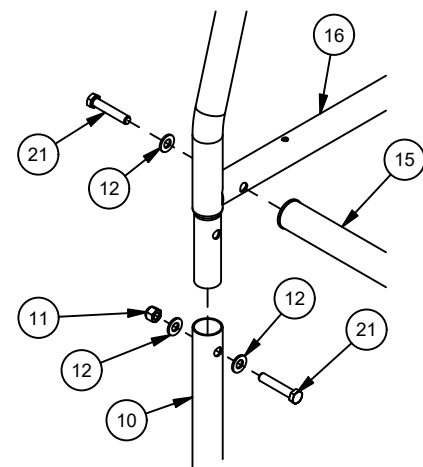


VRS-3000



DETAIL B

DETAIL A



DETAIL D

DETAIL C

ITEM	QTY	PART #	DESCRIPTION
1	2	HN704	1/2" HEX NUT
2	2	HS5010	1/2" x 4" HEX HEAD SCREW
3	4	HW2044	1/2" FLAT WASHER
4	2	HN268	1/2" NYLON LOCK NUT
5	2	RW494	1/2" BALL BEARING WHEEL
6	2	HM5055	1/4" x 2" WIRE LOCK PIN
7	2	VRS-3000-12	TELESCOPING FOOT
8	4	HS2870	3/8" x 2 1/2" HEX HEAD SCREW
9	2	RR5008	CRUTCH TIP
10	1	VRS-3000-15	LADDER FRAME
11	6	HN265	3/8" NYLON LOCK NUT
12	16	HW2047	3/8" FLAT WASHER
13	1	VRS-3035-1C	CLAMP BASE
14	1	HB5010	3/8" x 4 1/2" CARRIAGE BOLT
15	2	VRS-3000-17	CROSS RAIL
16	2	VRS-3000-4	SIDE FRAME
17	1	VRS-3000-18	PADDED PLATFORM
18	4	HS5124	#10 x 2 1/2" FLAT HEAD SCREW
19	2	EP0009	1 1/4" FLAT HEAD PLUG
20	1	RP5050	3/8" NYLON KNOB
21	6	HS289	3/8-16 x 2 HEX CAP SCREW-ZP-GrNC

PLEASE NOTE:

- 1) FOR SAFE OPERATION AND CONTINUED HIGH PERFORMANCE FROM THIS EQUIPMENT, INSPECTION AND MAINTENANCE MUST BE PERFORMED BEFORE EACH USE.
- 2) USE OF THIS EQUIPMENT OTHER THAN INTENDED, MAY BE HAZARDOUS.
- 3) ALTERATION OR MODIFICATION OF EQUIPMENT MAY BE HAZARDOUS. FOR REPAIR OR REPLACEMENT, PLEASE CALL YOUR DEALER.



976 Hartford Turnpike
Waterford, CT 06385 USA
(800)243-0533 Fax: (800)988-3363
www.jaypro.com

MODEL NUMBER: VRS-3000
CHECKED BY: MT

PRODUCT NAME:
TWO-LEGGED REFEREE STAND

DATE: 1/27/2021	REV: A	DRAWN BY: Moune T.	SHEET: 1 OF 1
--------------------	-----------	-----------------------	------------------