



FNFB-40
(40 FT FIELDPRO FOOTBALL BACKSTOP SYSTEM)
Installation Instructions



Call Jaypro Sports Equipment at 1-800-243-0533 during regular business hours for technical support.

www.jaypro.com

JAYPRO SPORTS
40 FT FIELDPRO FOOTBALL BACKSTOP SYSTEM

P A R T S L I S T		
ITEM #	QTY	DESCRIPTION
1	2	26 FT FIELD NET POLE (LOWER POLE HALF)
2	2	22 FT (UPPER POLE HALF)
3	2	GROUND SLEEVE WELDMENT / END CAP
4	2	5/16 - #10 POLYESTER BLACK BRAIDED HOISTING ROPE x 85 FT
5	2	6 5/8 ID BLACK CAP
6	4	3/8"-16 x 7-3/8" LONG EYEBOLT STAINLESS STEEL
7	4	3/8"-16 HEX HD LOCK NUT, SS
8	8	3/8" FLAT WASHER, SS
9	2	3/8" QUICK-LINK SS
10	2	2" SWIVEL PULLEY
11	16	5/16" x 3 1/8" SNAP HOOK, ZP
12	2	6" LONG GALV. STEEL CLEAT
13	4	1/4"-20 x 8 1/2" HEX HD SCREW
14	4	1/4" FLAT WASHER , SS
15	12	1/4" WASHER LOCK, SS
16	4	1/4"-20 NYLON LOCK NUT, SS
17	4	1/4-20 ACORN NUT SELF-LOCK
18	2	3/16" COATED AIRCRAFT CABLE 50'
19	8	1/4" WIRE ROPE CLIPS
20	4	1/4" WIRE ROPE THIMBLES
21	12	3/16 OD 11/16 RIVET (ALUMINUM)
22	100	8" BLACK CABLE TIE
23	1	3-1/2" x #36 KNOTTED NYLON SQ. MESH, UV TREATED WITH 1/4" ROPE BORDER (BLACK) 40' H x 40' W

IMPORTANT NOTICE:

- 1) BEFORE EACH USE CHECK EQUIPMENT FOR PROPER CONNECTING HARDWARE AND STRUCTURAL INTEGRITY. REPLACE DAMAGED OR MISSING HARDWARE IMMEDIATELY.
- 2) USE OF THIS EQUIPMENT OTHER THAN INTENDED, MAY BE HAZARDOUS.
- 3) ALTERATION OR MODIFICATION OF THIS EQUIPMENT MAY BE HAZARDOUS AND RESULT IN INJURY. FOR REPAIR OR REPLACEMENT, CONTACT YOUR DEALER OR JAYPRO SPORTS.

TOOLS REQUIRED:

- (1) 3/8" Socket Wrench and Box Wrench
- (1) 9/16" Socket Wrench and Box Wrench
- (1) 3/16 in Rivet Gun
- (1) 7/16" Nut Driver
- (1) Cable Cutters

SPECIAL NOTES:

- Spacing between poles is 40 ft.
- Net should be removed and stored after the season is over.
- Net should be removed prior to a major storm or high winds.

Layout & Excavation:

Clear working area from obstructions. Determine the proper location for the poles on the field. (See Figure 2)

Install Sleeves:

Dig footing hole using the dimensions shown in Figure 1. Pack bottom of footing hole with 12" of gravel or concrete block or pour 12-1/4 inch concrete pad and allow concrete pad to cure for 48 hours. Install ground sleeve and pour concrete as shown in Figure 1. While not required, Jaypro recommends using 6 lengths of 5/8 inch rebar, 54 inches long, wired together into a 24 inch diameter basket and placed around the ground sleeve in the footer hole. Wait 48 hours before inserting poles. The top of the ground sleeve should be flush with the finished grade.

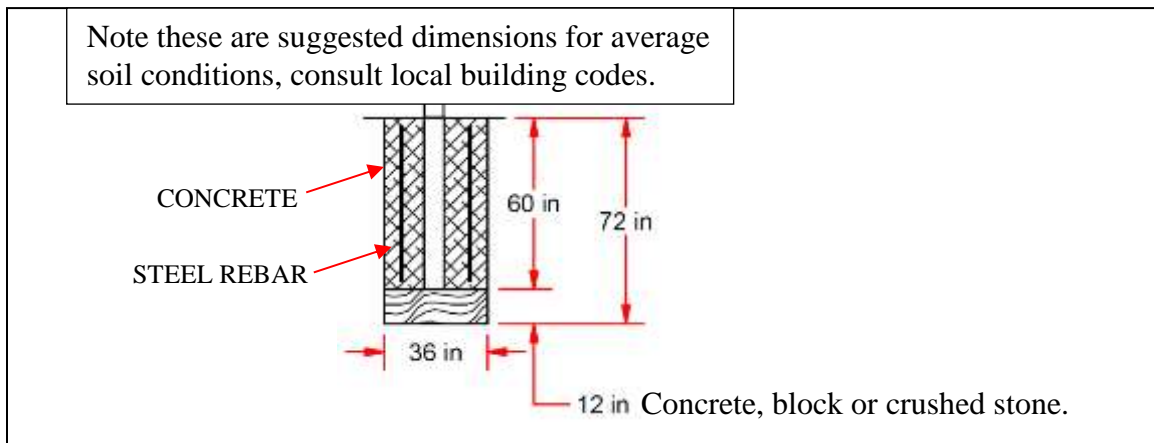


Figure 1

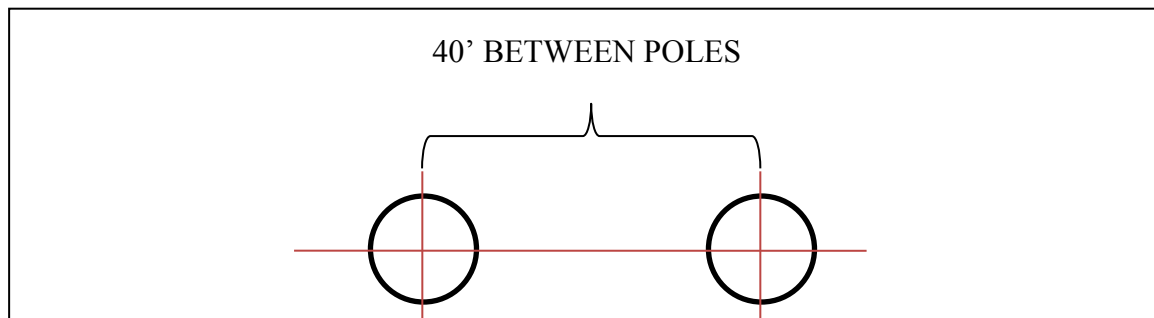


Figure 2

Install Pole Hardware:

The pole is assembled prior to lifting into the ground sleeve.

Assemble 3/8" eyebolt hardware & 1/4" cleat hardware and pole cap onto the poles as shown in Figure 3 & 5. Route the hoisting rope through the pulley. Attach the snap hook to the hoisting rope with a bowline knot. Temporarily attach the free end of the hoisting rope to the snap hook.

Assemble both the lower section and upper section of the pole using the 3/16 inch rivets supplied. Be sure that the holes for the eyebolts on both the lower and upper sections are in line, and that the poles are seated together tightly before thru drilling the pilot holes with a #11 drill and riveting the both sections together. (See Figure 4)

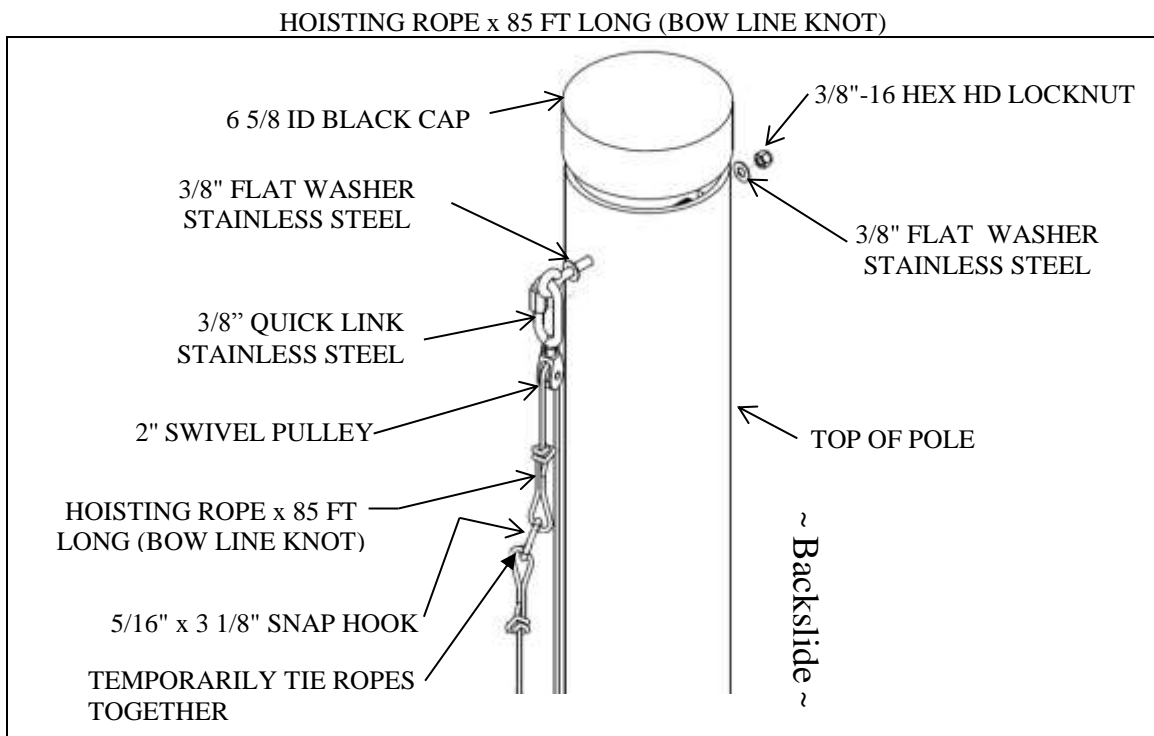


Figure 3

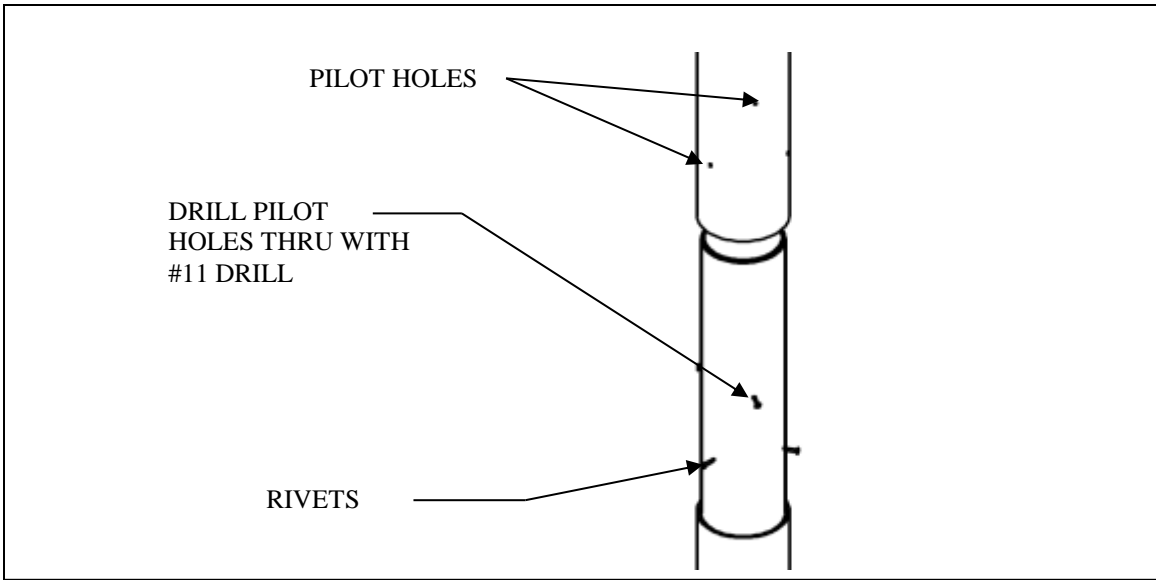


Figure 4

Slide upper pole half over splice and align with thru drilled holes from lower half before drilling for rivets.

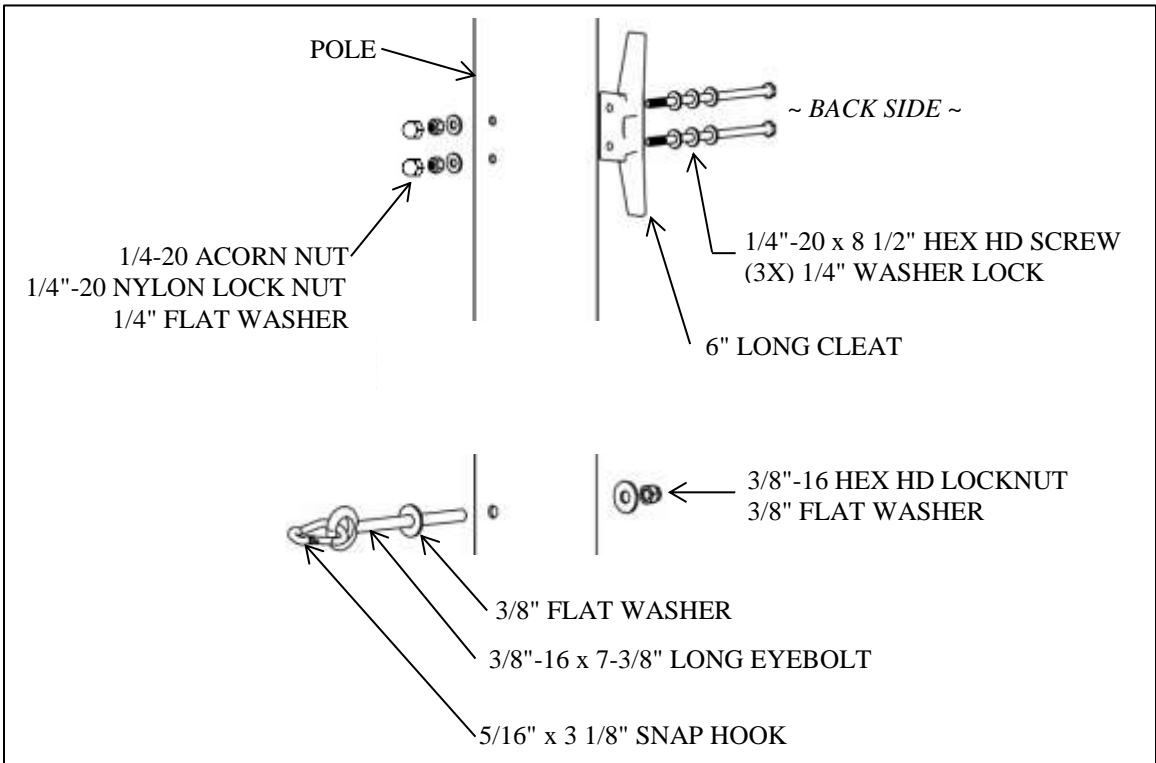


Figure 5

Install Poles:

Before inserting the poles into the sleeves, check to make sure:

1. The cleat is installed opposite of pulley.
2. Run the hoisting rope thru pulley
 - a. Cleat both ends of rope (loosely).

It is suggested that the wild end of the hoisting rope be passed thru the opening of the cleat and a figure eight stop knot be tied at the end of the rope. This will avoid the line from getting out of reach for the operator or worse the line inadvertently coming off the pulley during a game. The pole slides into the ground sleeve.

Net:

Lay the net out lengthwise and cut the 3/16" coated aircraft cable to length, extending each end enough to make up the loop. Make up a loop, as shown in Figure 6, on both ends of the cable. Attach a cable to both the top and bottom edges of the net using the cable ties.

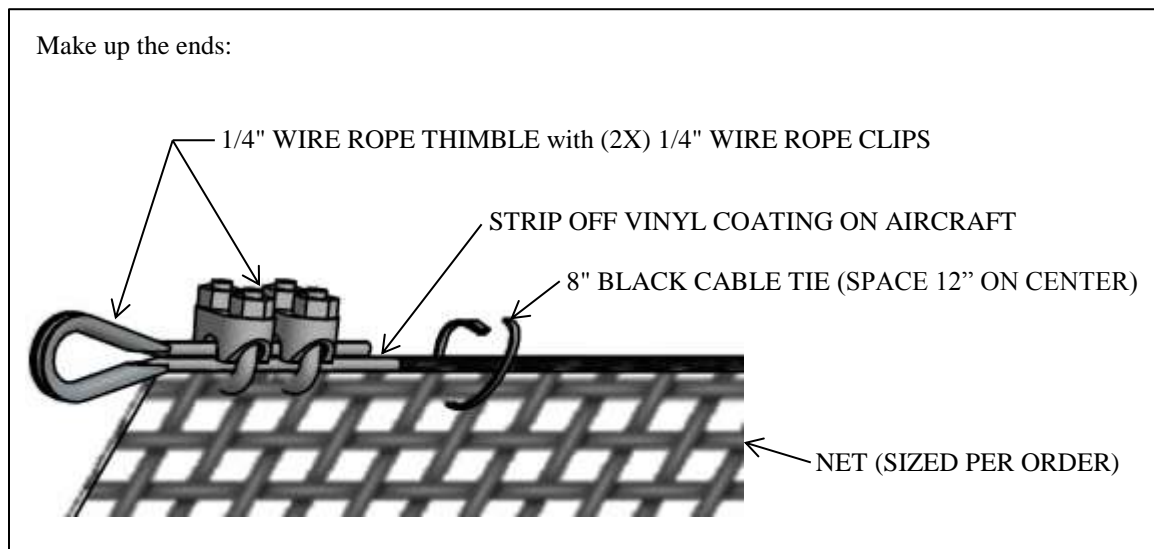
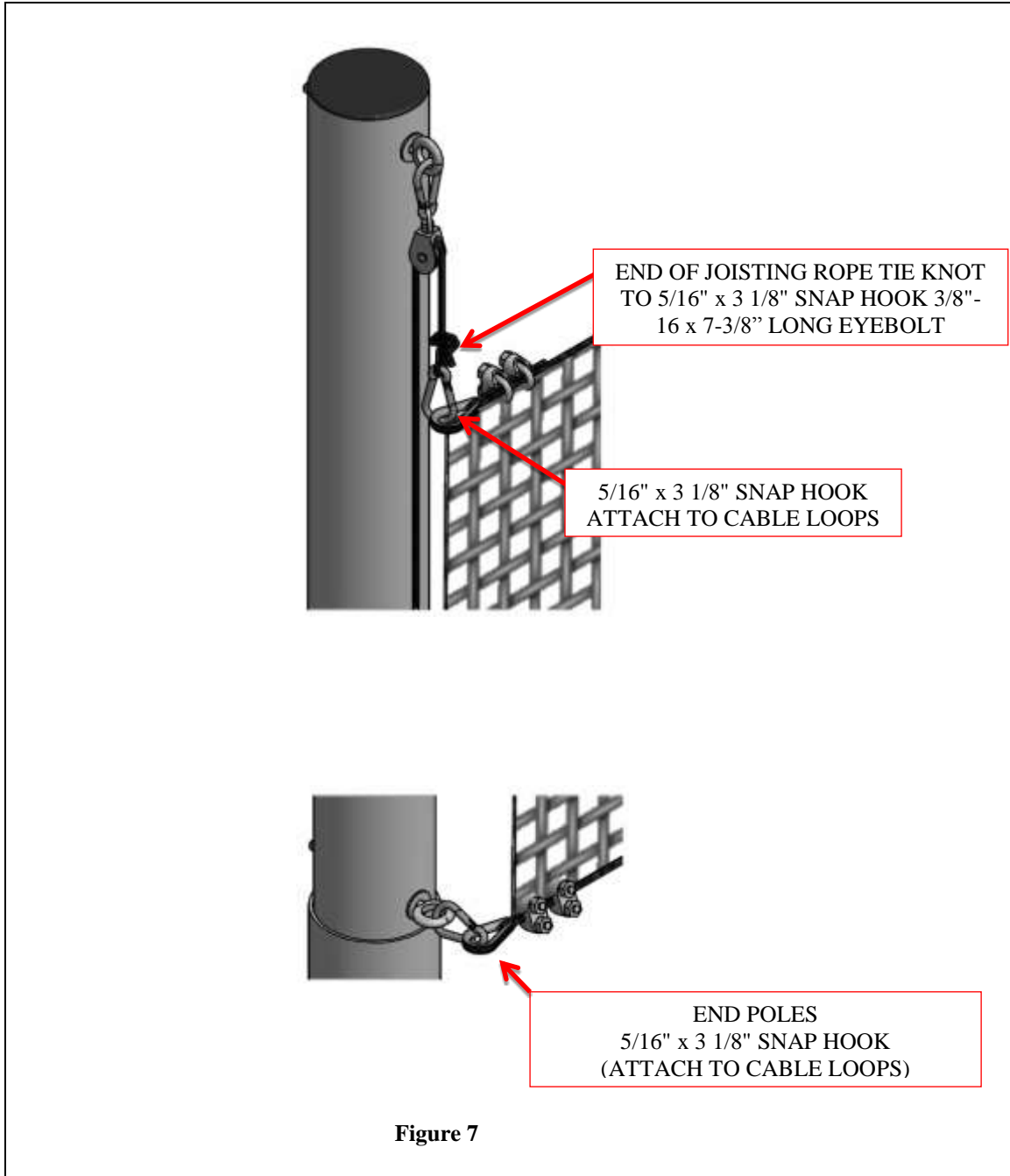


Figure 6

Install Net:

Lay the net sections out lengthwise along the base of the poles. Attach the hoisting ropes to each cable end. Slowly raise the net up once the net is fully raised, secure the bottom edge of net to the pole as shown in Figure 7.



MAINTENANCE:

- Before and after each season, thoroughly inspect the net for wear. Repair any holes to prevent them from getting wider.
- Remove and store the net after the seasons use.
- Remove all netting before a major storm or extreme winds.
- When the poles are removed cover the sleeve openings to prevent any accidental falls.

