

15GEW

Emergency Eye/Face Wash Type: Self Contained, Pressurized

56.8 liter (15 US gallon) portable eye/face wash unit incorporating a stainless steel cylinder is capable of washing eyes and face simultaneously for up to 15 minutes. Featuring dust covers and push lever operation for ease of use. For decontamination of body parts subjected to minor contamination, an optional drench hose for eye, face and body washing can be fitted. Includes inspection tag for recording test and service history, ANSI compliant.



Specifications

BODY	
MATERIAL	Stainless steel cylinder
CAPACITY	56.8 liters (15 US gallons)
SERVICES	
OPERATING PRESSURE	2.1 to 5.5 BAR G (30-80 PSI)
TEST PRESSURE	6.2 BAR G (90 PSI)
FLOW RATE	1.5 liters per minute (0.4 gpm)
OPERATION DURATION	15 minutes
HOSE CONNECTION	1/2 in Female NPT
ENVIRONMENTAL OPERATING TEMPERATURE	
MINIMUM AMBIENT OPERATING TEMPERATURE	5° C (41° F)
MAXIMUM AMBIENT OPERATING TEMPERATURE	35° C (95° F)
ACTIVATION/OPERATION	
ACTIVATION	Push plate operated
WEIGHTS and DIMENSIONS	
DIMENSIONS (W x D x H)	404 mm (15.9 in) x 404 mm (15.9 in) x 1047 mm (41.2 in)
WEIGHT	58 kg (127 lb) full, 20kg (44lbs) empty



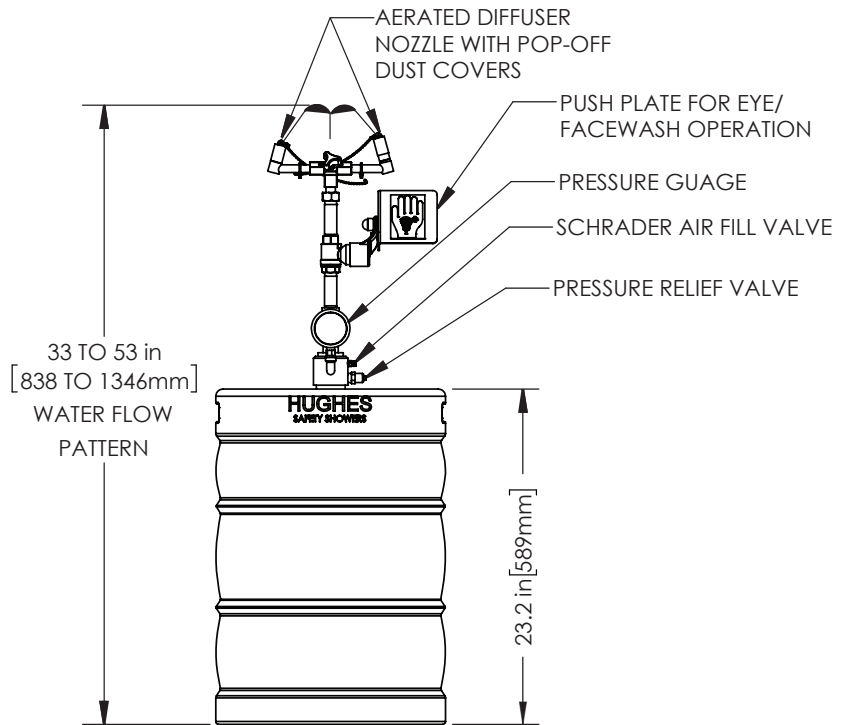
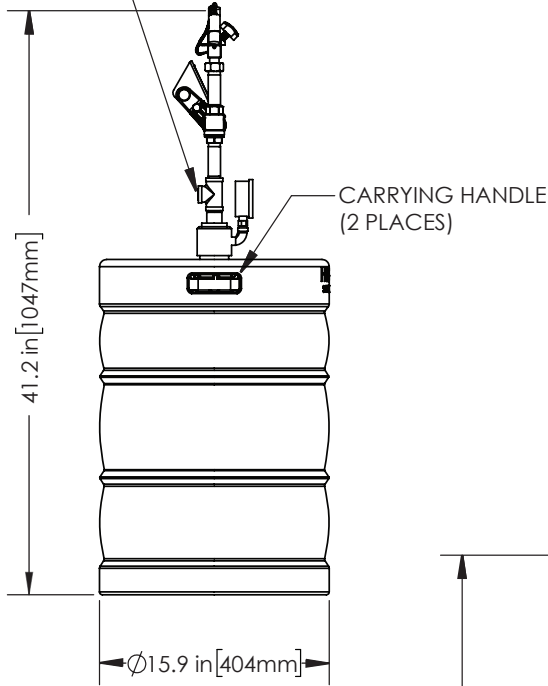
Justrite Safety Group

Rev- 1/31/19

hughes-safety-showers.com

Emergency Eye/Face Wash Type: Self Contained, Pressurized

1/2" NPT FEMALE Connection
(For Optional Drench Hose)



For Technical Support Contact:
customer.service@hughes-safety.com • 1-866-312-1652

For Reorder & Sales Support Contact:
custserv@justrite.com • 1-800-798-9250

HUGHES

HUGHES-SAFETY-SHOWERS.COM
Justrite Safety Group

Hughes North America
457 Campbell Street
Sarnia, Ontario N7T 2J1, Canada.