

16GFEW

Gravity Fed Eye Wash

Type: Self Contained, Gravity Fed

Ideal where a continuous supply of water is not available, this gravity fed 16 gallon wall-mounted or table top unheated portable emergency eye/face wash station delivers a controlled flow of a minimum 1.5 liters (0.4 US gallons) per minute for 15 minutes, meeting ANSI Z358.1-2014 requirements. The wide fill opening enables quick inspection, cleaning and filling.



Specifications

BODY	
MATERIAL	Polyethylene
CAPACITY	16 gallons (60.5 liters) of potable water
FLOW RATE	2LPM (0.55GPM)
OPERATION DURATION	15 minutes
COLOR	Green
MANIFOLD	
MATERIAL	ABS
COLOR	Black
INSTALLATION HEIGHT	160-170 cm (62.9-66.9 in)
TUBING TO MANIFOLD	
MATERIAL	Silica Gel
COLOR	Transparent
SIZE	Diameter 14mm (0.55 in), length 15cm (0.59 in)
SPRAY HEADS	
MATERIAL	ABS
COLOR	Green
SHAPE	Circular
WEIGHTS and DIMENSIONS	
DIMENSIONS (HxWxD)	638 mm (25.12 in) x 540 (21.26 in) x 287 (11.3 in)
WEIGHT	64.3 kg (141.7 lbs) full, 9 kg (19.8 lbs) empty
SHIPPING WEIGHTS and DIMENSIONS	
DIMENSIONS (HxWxD)	32.8 cm (12.9 in) x 66.5 cm (26.1 in) x 55 cm (21.6 in)
WEIGHT	10.2 kg (22.4 lbs)

HUGHES



HUGHES-SAFETY-SHOWERS.COM

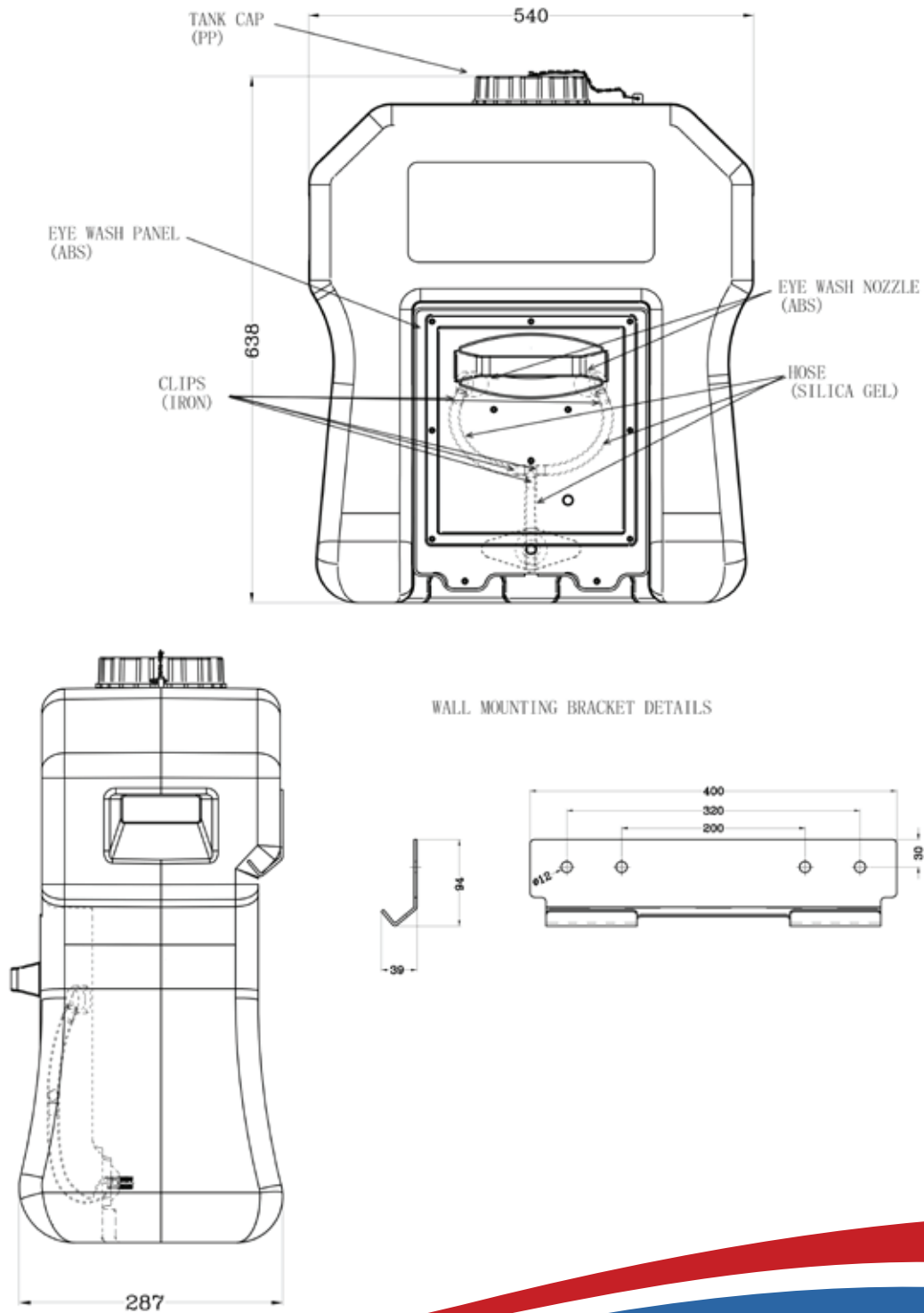
Justrite Safety Group

Rev2 102319

hughes-safety-showers.com

16GFEW

Eye Wash Type: Self-Contained, Gravity Fed



For Technical Support Contact:
customer.service@hughes-safety.com • 1-866-312-1652

For Reorder & Sales Support Contact:
custserv@justrite.com • 1-800-798-9250

HUGHES

HUGHES-SAFETY-SHOWERS.COM
Justrite Safety Group

Hughes North America
457 Campbell Street
Sarnia, Ontario N7T 2J1, Canada.

Registered No. 0939240. VAT Registration No. 918 5005 32 ©2019 Hughes Safety Showers