

23GV 23GSV

Indoor Emergency Safety Shower Type: Drench

Ceiling mounted unheated emergency safety shower, available with either galvanized mild steel or stainless steel pipework. Ideal for use where space is at a premium, this general purpose shower is suitable for use in all applications not subject to the possibility of freezing or overheating. Includes universal shower sign for enhanced visibility. ANSI compliant.

shown with
optional rose



Specifications

MATERIALS OF CONSTRUCTION	
PIPEWORK AND FITTINGS (G)	Galvanized mild steel tubulars and fittings
PIPEWORK AND FITTINGS (GS)	Stainless steel tubulars and fittings
OPERATING VALVES	316L stainless steel, two piece stay open valve
SHOWER SPRAY OUTLET	Machine molded nylon 6 red shower nozzle
SERVICES	
WATER INLET	1 in Female NPT
DESIGN OPERATING PRESSURE	1.5 to 6 BAR G (22 to 87 PSI)
TEST PRESSURE	10.3 BAR G (149 PSI)
MINIMUM FLOW AT OPERATING PRESSURE	Shower: 76 liters/minute minimum (20 US Gallons)
ENVIRONMENTAL OPERATING TEMPERATURE	
MINIMUM AMBIENT OPERATING TEMPERATURE	5° C (41° F)
MAXIMUM AMBIENT OPERATING TEMPERATURE	35° C (95° F)
OPERATIONAL	
SHOWER OPERATION	Pull handle
NOMINAL WEIGHTS and DIMENSIONS	
DIMENSIONS - STANDARD ORIENTATION (W x D x H)	214 mm (8.4 in) x 150 mm (5.9 in) x 804 mm (31.6 in)
WEIGHT (NO OPTIONS)	4 kg (8 lb)

HUGHES

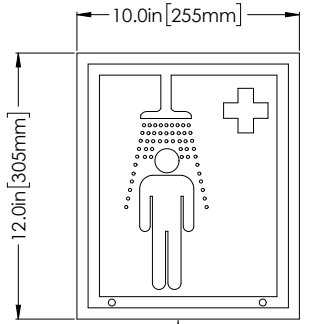


Justrite Safety Group

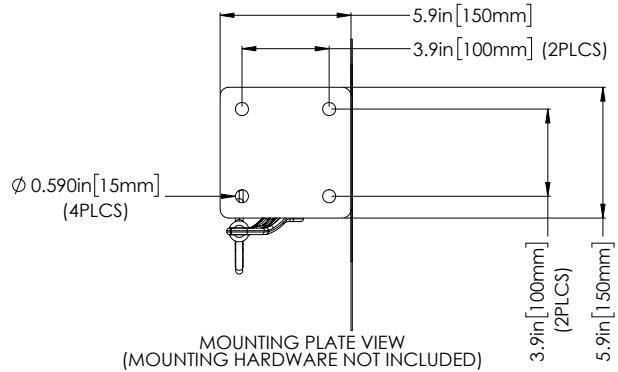
RM07292 RevA

hughes-safety-showers.com

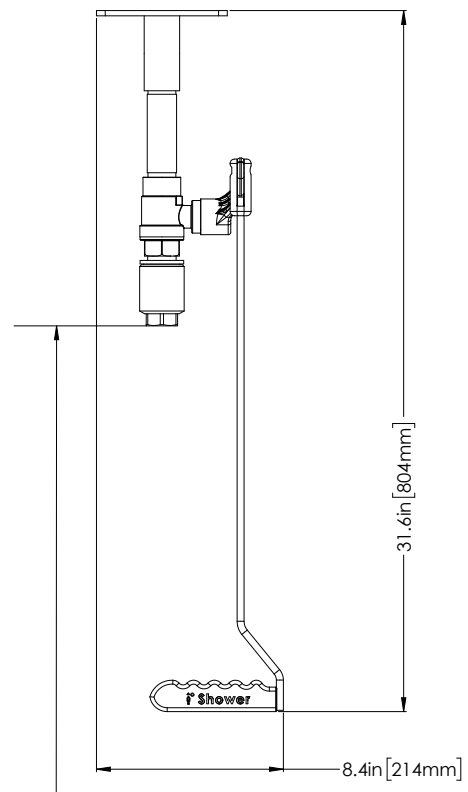
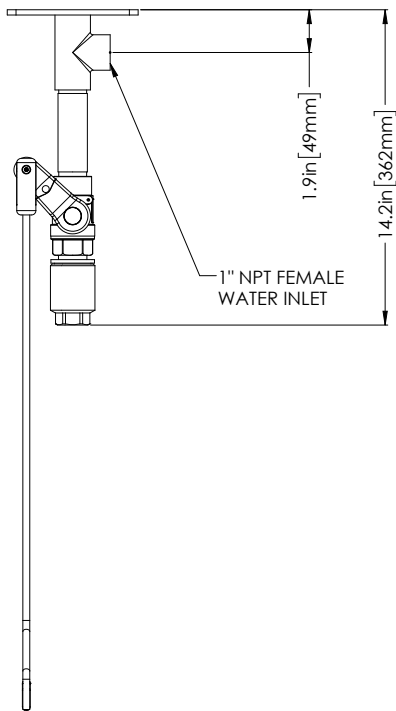
Indoor Emergency Safety Shower Type: Drench



PICTOGRAM SIGN SUITABLE FOR WALL MOUNTING



MOUNTING PLATE VIEW
(MOUNTING HARDWARE NOT INCLUDED)



ANSI Z358.1: SHOWERS SHALL PROVIDE A FLUSHING FLUID COLUMN THAT IS 82 in [208.3 cm] TO 96 in [243.8 cm] FROM STANDING SURFACE.

VARIATIONS IN MANUFACTURING AND ASSEMBLY ALLOW FOR $\pm 1/8$ in [3 mm] PER THREADED JOINT.

For Technical Support Contact:
customer.service@hughes-safety.com • 1-866-312-1652

For Reorder & Sales Support Contact:
custserv@justrite.com • 1-800-798-9250

HUGHES

HUGHES-SAFETY-SHOWERS.COM

Justrite Safety Group

Hughes North America
457 Campbell Street
Sarnia, Ontario N7T 2J1, Canada.

Registered No. 0939240. VAT Registration No. 918 5005 32 ©2019 Hughes Safety Showers