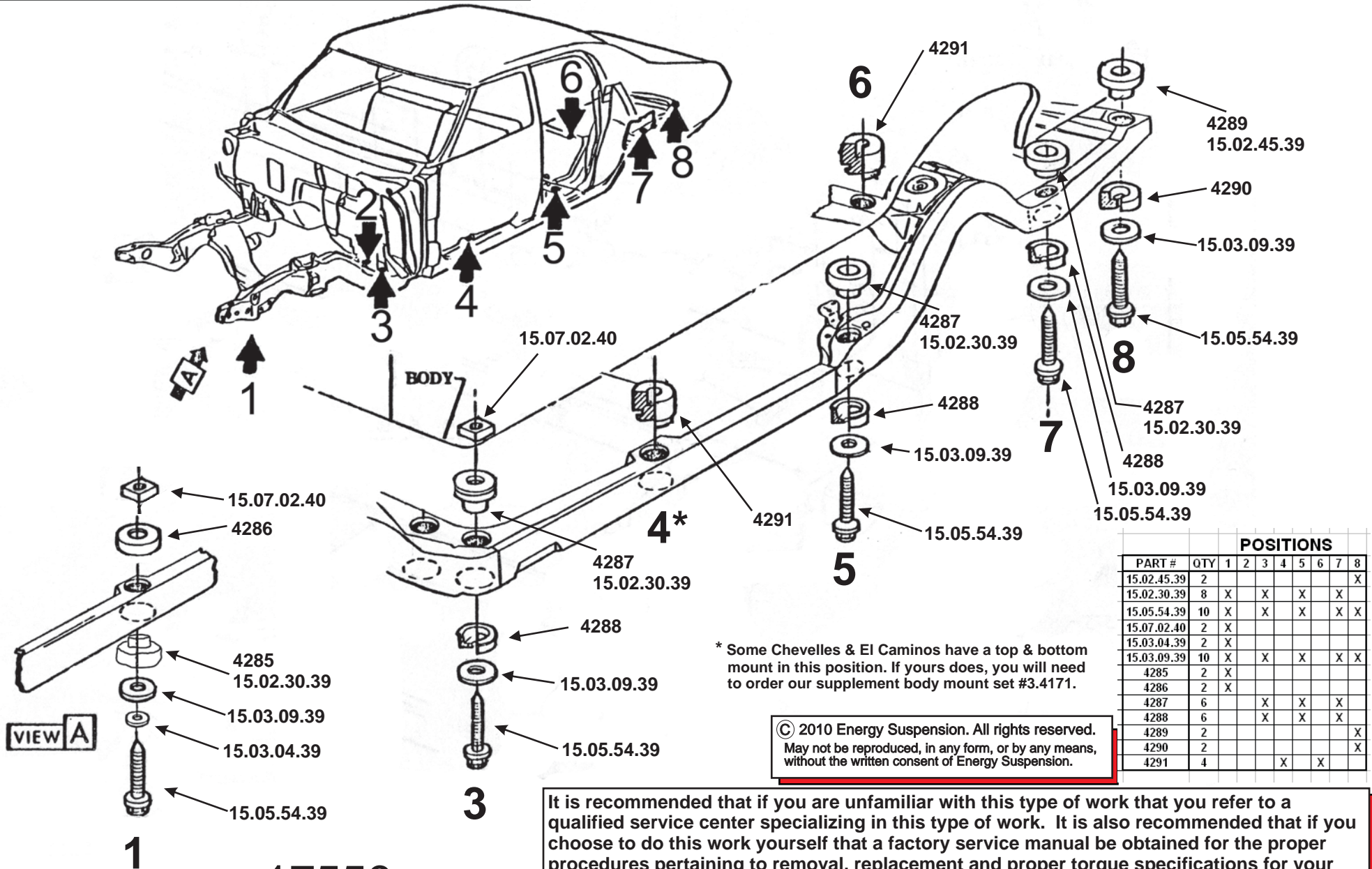


Installation instructions

For set # 3.4170
1968-1972 CHEVY CHEVELLE



1131 VIA CALLEJON, SAN CLEMENTE, CA 92673



PART #	QTY	POSITIONS							
		1	2	3	4	5	6	7	8
15.02.45.39	2								X
15.02.30.39	8	X		X		X		X	X
15.05.54.39	10	X		X		X		X	X
15.07.02.40	2	X							
15.03.04.39	2	X							
15.03.09.39	10	X		X		X		X	X
4285	2	X							
4286	2	X							
4287	6		X		X		X		
4288	6		X		X		X		
4289	2								X
4290	2								X
4291	4				X		X		

* Some Chevelles & El Caminos have a top & bottom mount in this position. If yours does, you will need to order our supplement body mount set #3.4171.

© 2010 Energy Suspension. All rights reserved.
May not be reproduced, in any form, or by any means,
without the written consent of Energy Suspension.

It is recommended that if you are unfamiliar with this type of work that you refer to a qualified service center specializing in this type of work. It is also recommended that if you choose to do this work yourself that a factory service manual be obtained for the proper procedures pertaining to removal, replacement and proper torque specifications for your vehicle. This instruction set is intended as a guideline for the safe installation of Energy Suspension's polyurethane bushings, once you have removed the factory components from

17559
15/AUG/10 BO
8/8/2013 KLB