

BAKflip

BEST-SELLING HARD FOLDING COVER

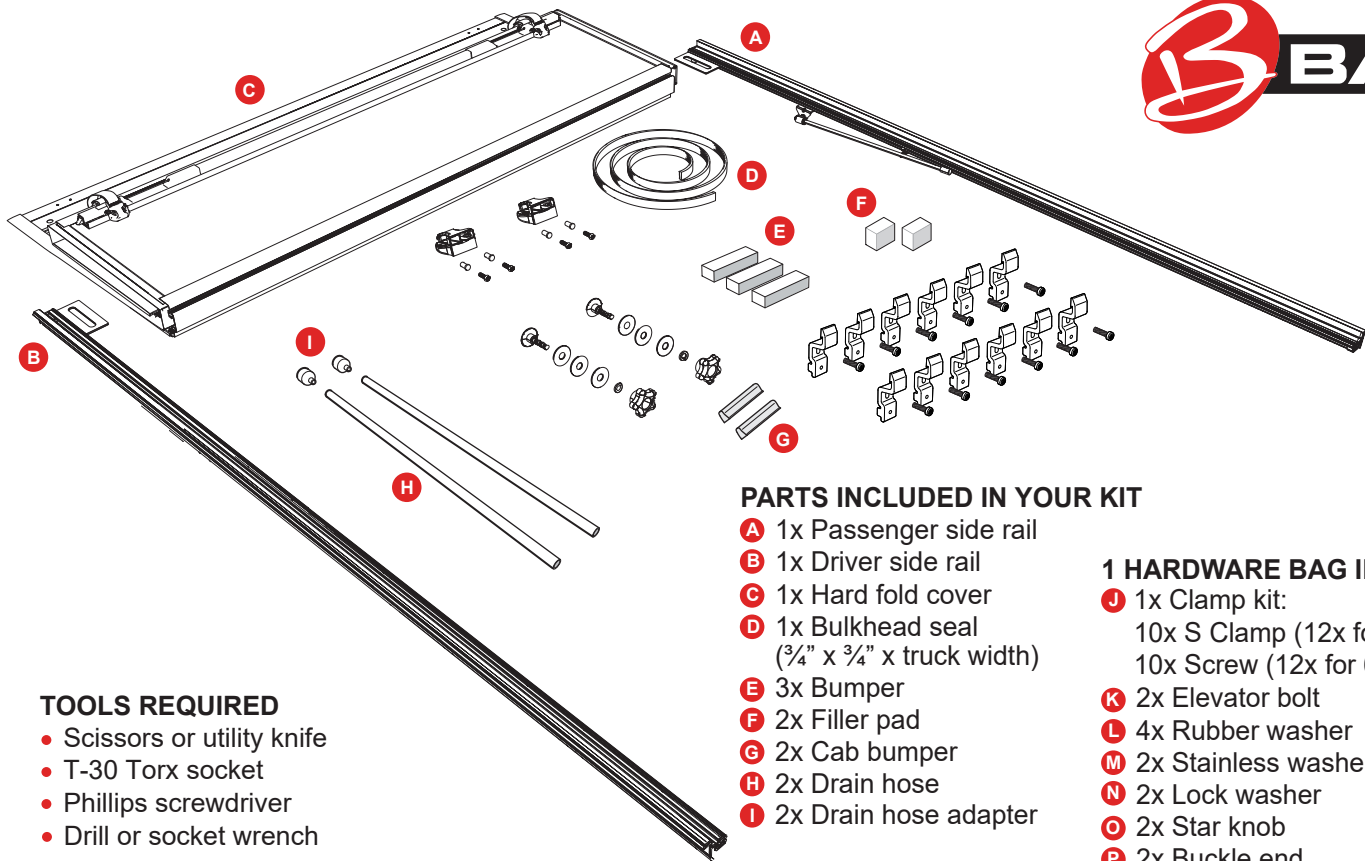
G2 F1 FIBER MAX MX4

2022+ TOYOTA TUNDRA

Any damaged or missing parts?

Parts will be shipped to you directly.

Call 818-365-9000 Mon - Fri 8:30 am - 7:00 pm EST
or email support@bakindustries.com



TOOLS REQUIRED

- Scissors or utility knife
- T-30 Torx socket
- Phillips screwdriver
- Drill or socket wrench

TOOLS RECOMMENDED

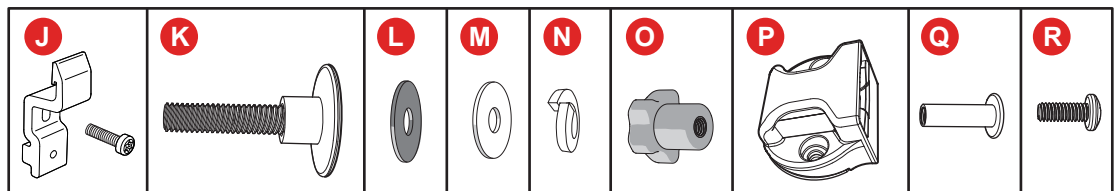
- Blow dryer or heat gun

PARTS INCLUDED IN YOUR KIT

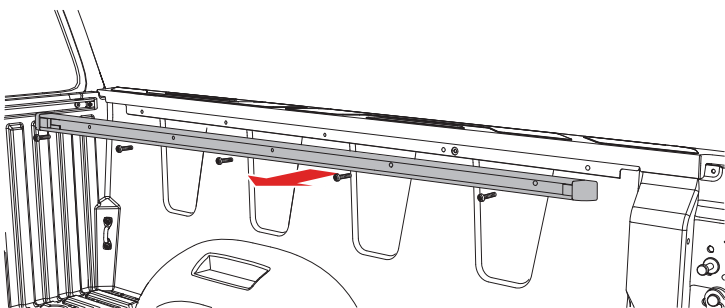
- A** 1x Passenger side rail
- B** 1x Driver side rail
- C** 1x Hard fold cover
- D** 1x Bulkhead seal (3/4" x 3/4" x truck width)
- E** 3x Bumper
- F** 2x Filler pad
- G** 2x Cab bumper
- H** 2x Drain hose
- I** 2x Drain hose adapter

1 HARDWARE BAG INCLUDING

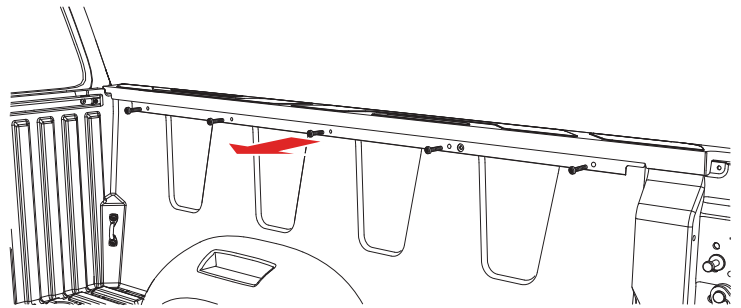
- J** 1x Clamp kit:
10x S Clamp (12x for 6' trucks)
10x Screw (12x for 6' trucks)
- K** 2x Elevator bolt
- L** 4x Rubber washer
- M** 2x Stainless washer
- N** 2x Lock washer
- O** 2x Star knob
- P** 2x Buckle end
- Q** 4x Rivet nut
- R** 4x Machine screw



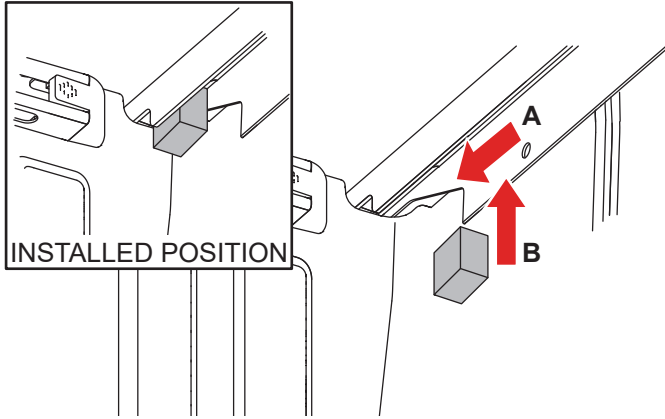
1a IF CARGO RAIL IS PRESENT - Remove the cargo rail fasteners using a drill/socket wrench and then the rail. Keep both for later reinstallation.



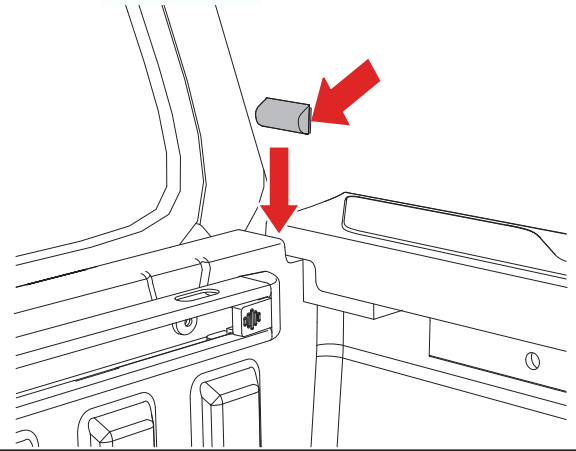
1b IF CARGO RAIL IS NOT PRESENT - Remove the fasteners using a drill/socket wrench and keep for later reinstallation.



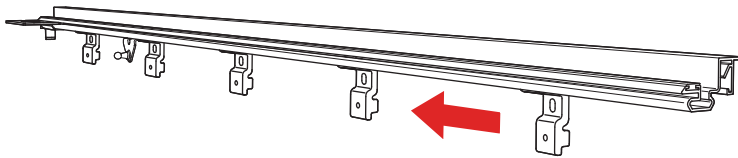
- 2** A. Install foam block filler pad (F), with adhesive end up, as far forward as possible against the cab end bed wall/bulkhead. B. Then push upward into place as far as possible. Do this for both driver and passenger sides.



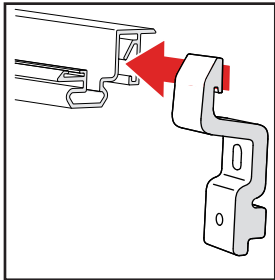
- 3** Take the cab bumper (G) and remove the backing. Place it in the bulkhead valley as shown.



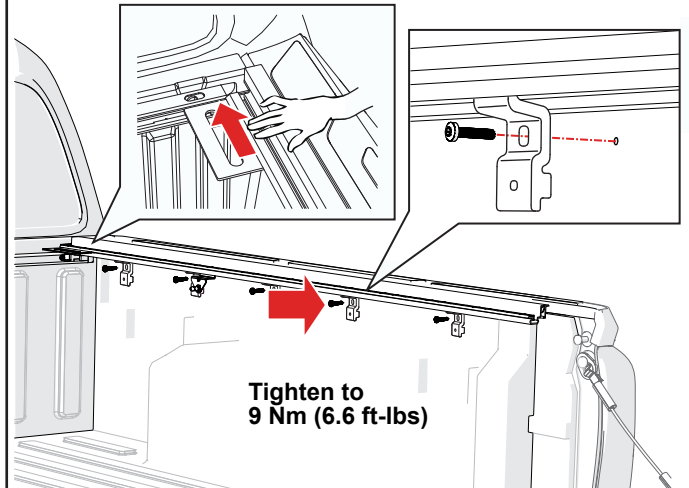
- 4** Align the S clamps from the clamp kit (J) with the passenger side rail slot and insert into the rail. The S clamps should match the truck bed hole locations used in step 1.



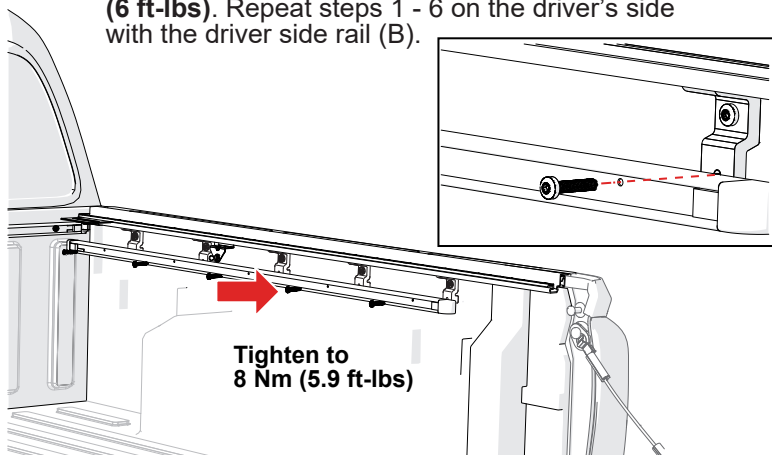
5 clamps for a 5'6" bed
6 clamps for a 6'6" bed



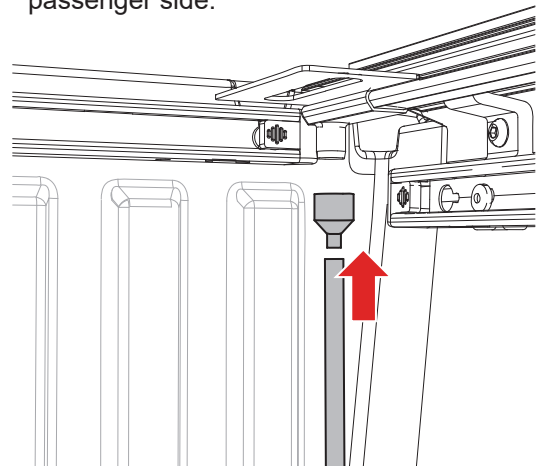
- 5** Mount the passenger side rail (A) into the holes in the truck bed used in step 1. Reuse the fasteners from step 1, using a drill/socket wrench. Before tightening, make the necessary adjustments for the rail so that it has proper clearance to both the front cargo rail and the tailgate. Push the passenger side rail tight up against the front cargo rail.



- 6** If cargo rail is present, mount it using the clamp kit (J) screws and a drill/socket wrench, through the lower hole in the S clamp. **Tighten to 7.5 Nm (6 ft-lbs)**. Repeat steps 1 - 6 on the driver's side with the driver side rail (B).



- 7** Slide the drain hose (H) onto the small end of the drain hose adapter (I) until it stops sliding, on the passenger side.



- 8** Slide the drain hose adapter (I) with the drain hose (H) onto the drain cap until it stops. (Fig. 1) There should be approximately a 13/64" (5mm) gap between the top of the drain adapter and the bottom of the drain cap. (Fig. 2)

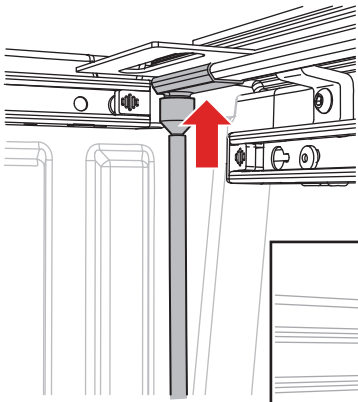
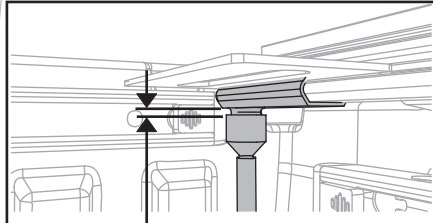
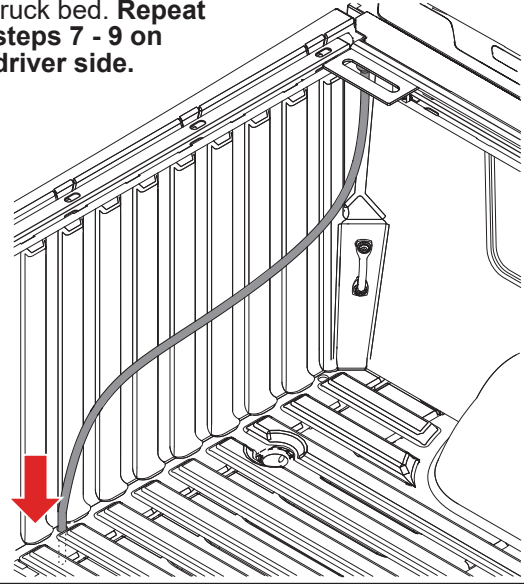


Fig. 1

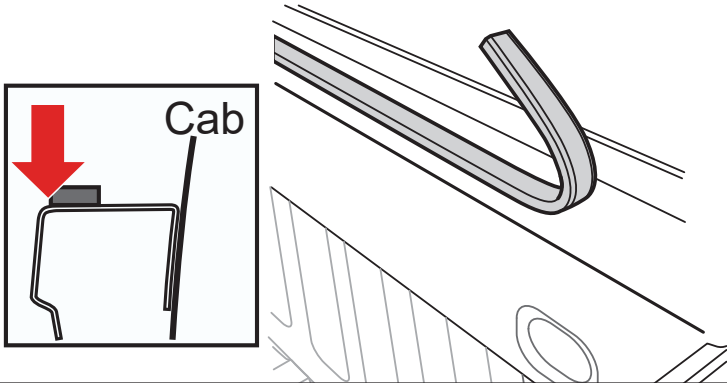


13/64" (5mm)
Fig. 2

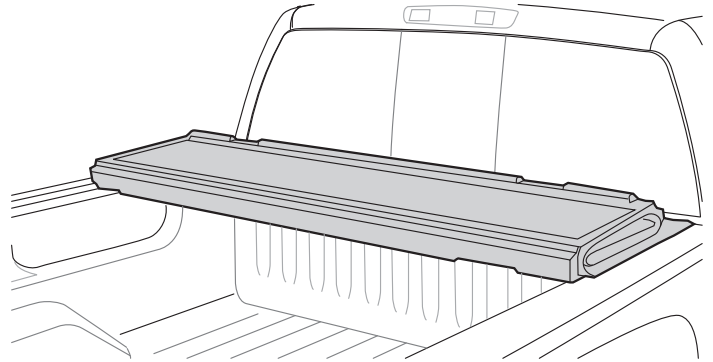
- 9** Install the drain hose (H) on the bottom of the truck bed, through the hole nearest the bulkhead and nearest the center of the bed. Trim the end of the drain hose so that it extends approximately 1 31/32" - 3 5/32" (50 to 80mm) into and below the hole in the truck bed. **Repeat steps 7 - 9 on driver side.**



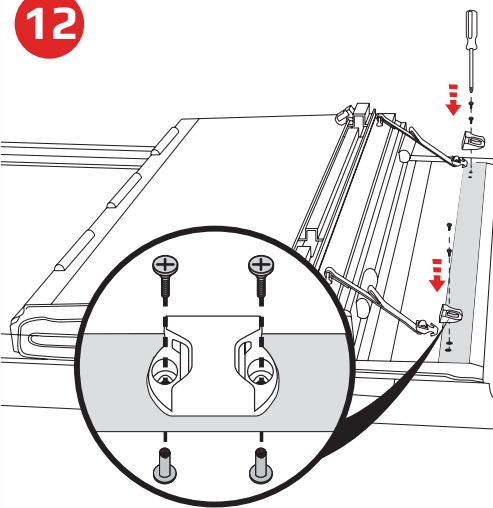
- 10** Clean the top of the bulkhead to install the bulkhead seal (D). Peel the backing off and adhere the seal from one bedrail edge to the other. Remove any excess with a scissors or a utility knife. If the truck has a drop-in bedliner, no seal will be needed.



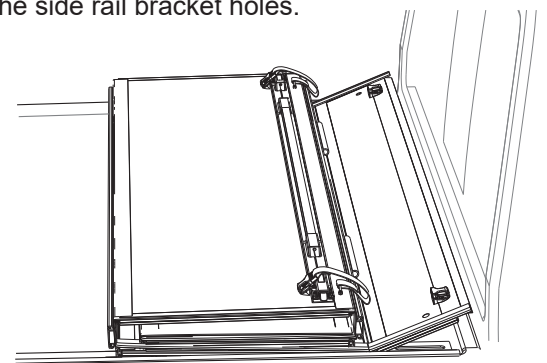
- 11** Set the hard fold cover (C) in the folded position on the rails towards the front of the cab.



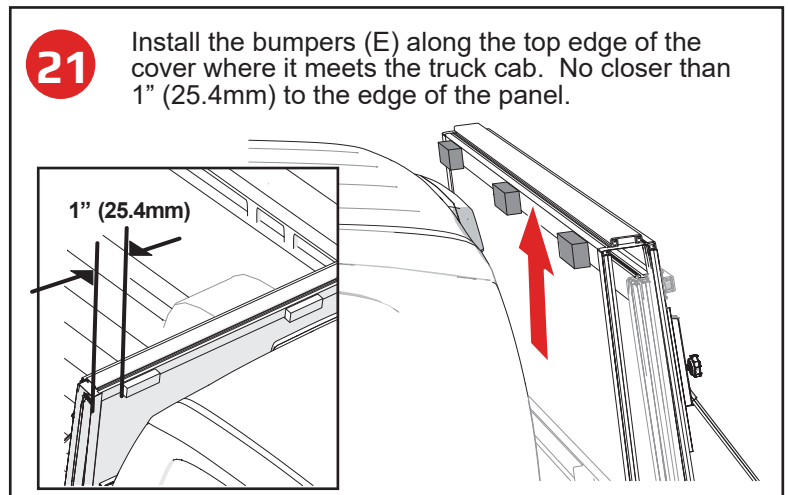
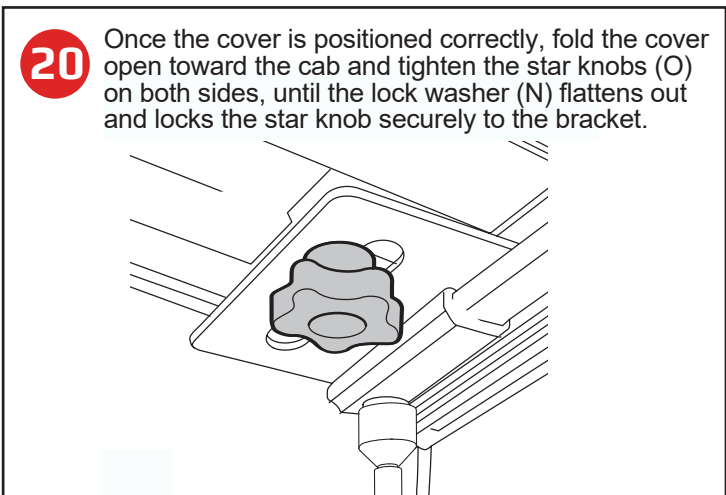
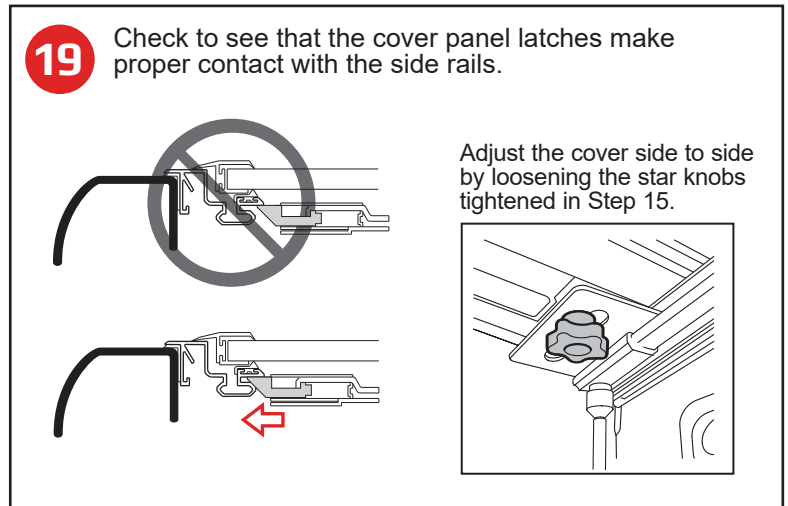
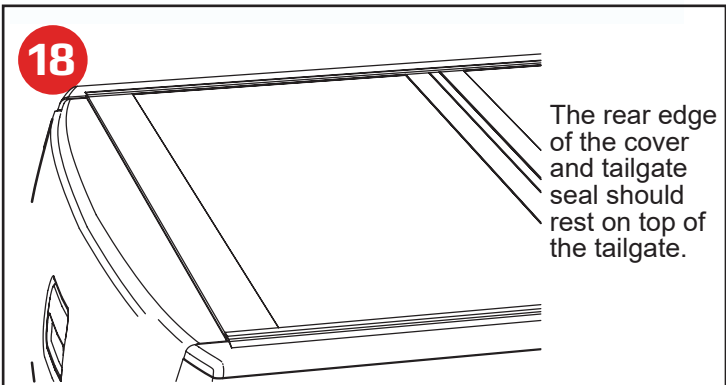
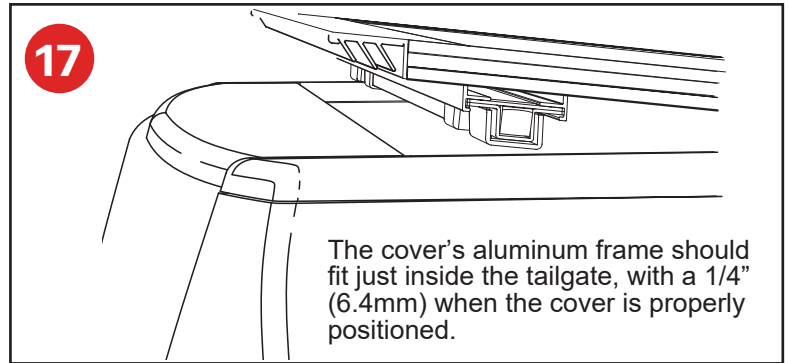
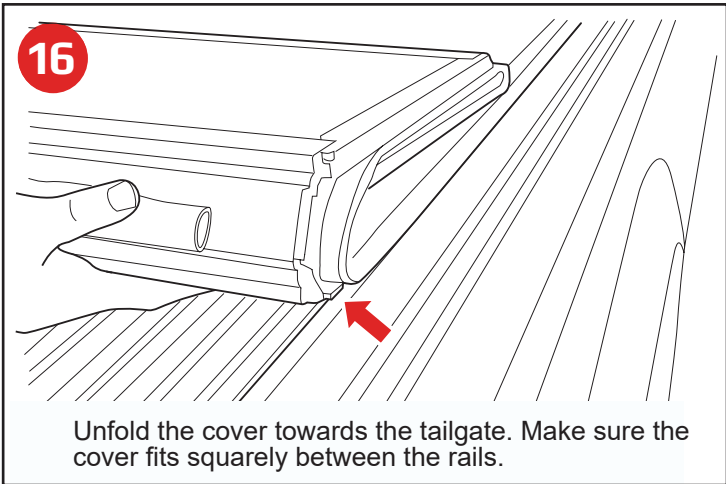
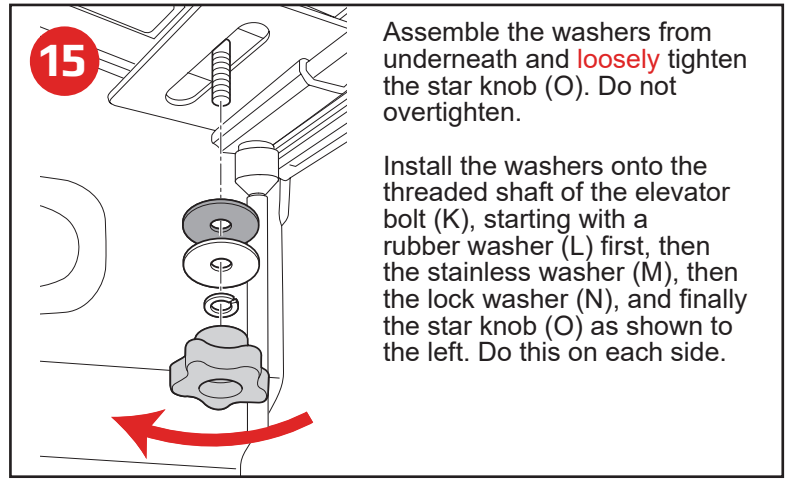
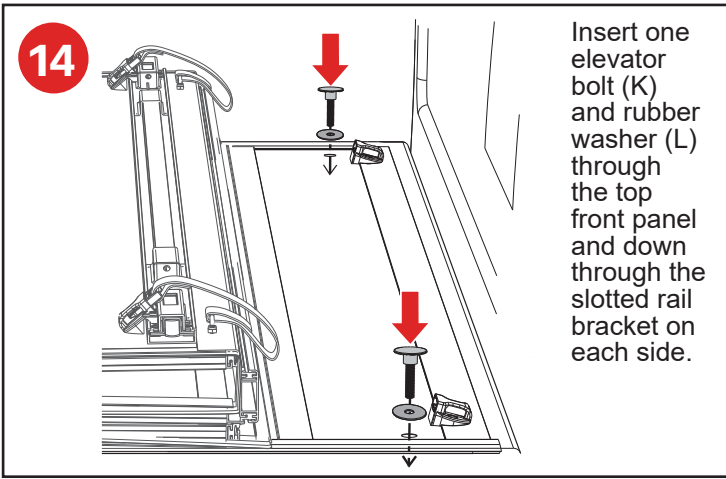
- 12** Position the buckle ends (P) so the open side faces the bed cover panel. Use a screwdriver to install the two buckles into the pre-drilled holes on the front header panel with the provided machine screws (R) and rivet nuts (Q). **DO NOT use a screw gun, securely tighten by hand only.**



- 13** The cover's small panel faces toward the cab and folds down over the side rail brackets. The front panel must sit just inside the bulkhead rail with the seal resting on top of the bulkhead. Adjust the panel down so it sits squarely on the rails and align the mounting holes with the side rail bracket holes.

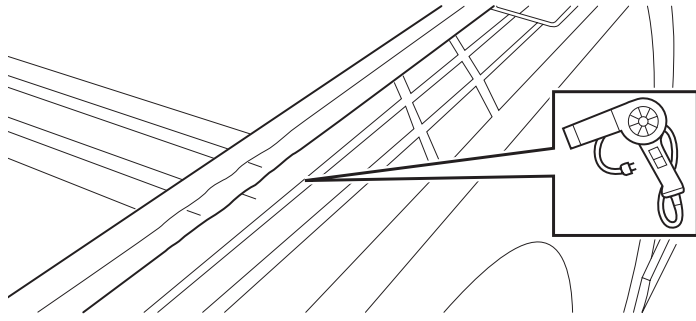


Note: Remove all foam packing before proceeding.



22

If the side seals of the cover appear wrinkled, exposure to the sun will assist the seals to lay flat. Applying heat with a hair dryer or carefully with a heat gun will also smooth the seals.



IMPORTANT: Safe operation and use

Tonneau Cover Positions While Operating Vehicle

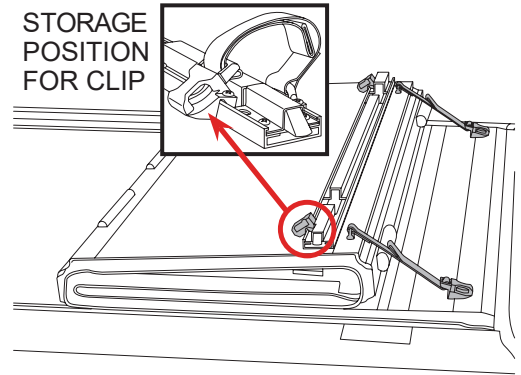
Prior to vehicle operation, the truck bed cover **MUST** be properly secured. It is recommended to keep the truck bed cover in the closed position and secured when not in use.

CLOSED POSITION

All panels must be closed and **FULLY LATCHED** to tonneau side rail. All panels must be flat and latches engaged.

FOLDED UP POSITION

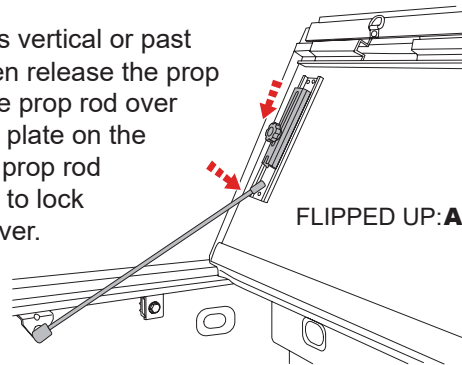
To drive with your cover in the folded up position, simply make use of the tie down straps and buckles provided with your cover. Ensure **BOTH** buckle clips are fully inserted into the buckle ends located on the front header panel of the cover and adjust the straps to ensure the cover is secure during vehicle operation. **IMPORTANT NOTICE:** The clips should be secured in the storage position buckle ends located on the cover latch housing when not in use.



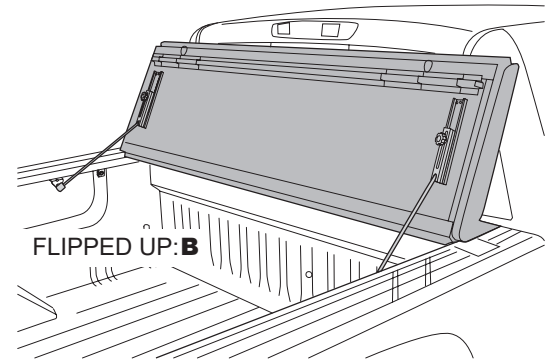
FOLDED UP POSITION

FLIPPED UP POSITION

A) Fold the cover open and lift it until it's vertical or past 90 degrees towards your truck cab. Then release the prop rod that is attached to your rail. Fold the prop rod over and position it firmly against the vertical plate on the underside of your cover. Then slide the prop rod locks downwards and tighten the knobs to lock into position. Do this on both sides of the cover.



B) Your cover should be firmly in position with little to no movement once the prop rods are locked.



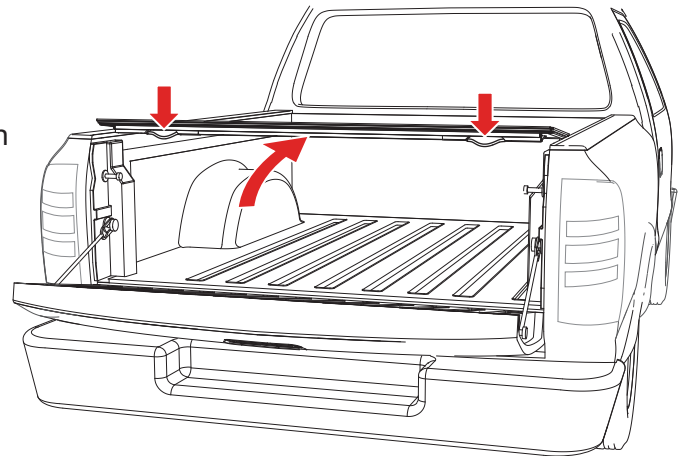
Tail Panel Operation

TO CLOSE THE TAILGATE PANEL

- The tailgate can be closed with the bed cover either up or down for universal operation.

TO OPEN THE TAILGATE PANEL

- Open the tailgate and reach under the panel for the cable at the ends of the panel housing.
- Pull down on either cable to release both rear latches with one hand while lifting the panel with the other hand.



DO NOT ATTEMPT TO DRIVE WITH THE TAIL PANEL IN THE PARTIALLY OPEN POSITION!

Additional Important Operating Tips:

- The bed cover **MUST** be free of foreign material including snow and ice before opening panels.
- Do **NOT** tow your vehicle from the rear with the bed cover on your truck.
- Do **NOT** operate vehicle with objects on top of cover.

FAILURE TO FOLLOW THESE CAUTIONS MAY RESULT IN SEVERE DAMAGE AND WILL VOID YOUR WARRANTY!




Remove any snow or foreign matter before folding cover.



Do **NOT** tow your vehicle from the rear with this cover on your truck.

Warranty

BAK® Industries (“BAK”) warrants your BAKFlip Hard Folding Cover to be structurally free from defects in material and workmanship for the period as outlined in the table below from the retail date of purchase. Warranty registration must be on file and/or proof of original purchase (detailed and dated receipt) required for warranty service. Warranty is non-transferable and applies to the original purchaser of the BAK product only.

PRODUCT	WARRANTY PERIOD	REGISTER YOUR WARRANTY NOW AT BAKINDUSTRIES.COM	
BAKFlip G2	3 Year Limited Warranty		
BAKFlip F1	5 Year Limited Warranty		
BAKFlip FiberMax	3 Year Limited Warranty		
BAKFlip MX4	5 Year Limited Warranty		

BAK reserves the right to determine whether a product needs to be repaired or replaced. No labor or service allowance is given or implied. The warranty will be void if the product has been damaged by accident, unreasonable use, neglect, improper service/installation/removal, modifications, acts of God or normal wear and tear or other causes not arising out of defective materials or workmanship. BAK assumes no liability for injury, loss, incidental or consequential damages. BAK reserves the right to substitute an entire replacement system or provide other remedies than those listed in this warranty for discontinued products or other reasons. Shipping charges will apply for any repair or replacement.

BAK is committed to providing you with our best service at all times. Please feel free to contact us should you require any assistance with your BAK product.

CARE AND MAINTENANCE

BAKFlip tonneaus are made from durable materials and require simple care to ensure a long life of performing well and looking great.

Cleaning the Top (Washing)

Standard automotive soap and water with a soft sponge or cloth is recommended for cleaning. Shabby dry to keep the finish polished and brilliant. Wax is NOT recommended as it tends to fill in cracks and crevices, which may affect the textured panel finish. Do NOT use any harsh cleaners or abrasives.

Maintenance

It is recommended that you periodically check your cover is securely attached to your truck bed. Inspect the clamps and front mounting bolts to ensure they were properly installed and have not come loose or knocked out of adjustment during operation. Covers that are used with high frequency or that are subject to the vibrations and impact from rough roadways can cause the cover to require adjustment.

Lubricating the Latches

It is recommended that you periodically inspect and service the latches on each panel. Clean away any excess dirt or grime and lubricate with silicone spray. Ensure the latches move freely in and out to properly engage the side rail and provide proper performance with optimum security. Be careful not to over spray the cover. Wipe away any excess around the latch location.