

BACKRACK™

FUNCTION AND STYLE FOR TODAY'S TRUCKS

INSTALLATION INSTRUCTIONS #INST039:

BACKRACK KIT #30119, 30119TB, 30119TB31

2007-2016 Chev/GMC Silverado, Sierra

READ THIS NOW!

Your truck should look like the one shown. If you think you are missing any parts, think that this part number is not for your truck or have any installation question, call our customer service department at toll free:

800-265-8137 or locally **905 849-3633**.

Other ways to reach BACKRACK:

Fax **905-849-4116**

email: techsupport@backrack.ca



The BACKRACK is secured to your truck with a pair of "Stake Pocket Bolts" specifically designed for your make and model of truck. These bolts mount into each of the two front stake pockets. The BACKRACK assembly sits on the bed rails of your truck and is secured to these Stake Pocket Bolts. If your truck has a BEDLINER we suggest you remove it to install the Stake Pocket Bolts

PARTS LIST FOR KIT #30119

PART	DESCRIPTION	QTY
RMB519D	Rear Mount Bracket Driver Side	1
RMB519P	Rear Mount Bracket Passenger Side	1
RP519D	519 Rail Plate Driver Side	1
RP519P	519 Rail Plate Passenger Side	1
HARDWARE BAG519		
SBY519S	519 Stake Pocket Bolt	2
FYZ028	Female Bolt Plate	2
FYZ001	3/8"-16 Hex Nut	2
FYZ002	3/8" Lock Washer	2
FYZ003	3/8" Flat Washer	2
FYZ008	1/2"-20 Nylon Hex Lock Nut	2
FYZ011	1/2" Flat Washer	2
FYZ016	5/8"-11 Hex Nut	2
FYZ017	5/8" Lock Washer	2
FYZ018	5/8" Flat Washer	2
INST039	Instructions	1
SF002	2" x 6" Foam Pad	2
FYZ014	1/2"-20 x 3.25 Carriage Bolt Grade 8	2

PARTS LIST FOR KIT #30119TB, 30119TB31

PART	DESCRIPTION	QTY
TB503D	Toolbox Bracket Driver	1
TB503P	Toolbox Bracket Passenger	1
OR		
TB901D	31" Toolbox Bracket Driver	1
TB901P	31" Toolbox Bracket Passenger	1
HARDWARE BAG519		
SBY519S	519 Stake Pocket Bolt	2
FYZ028	Female Bolt Plate	2
FYZ001	3/8"-16 Hex Nut	2
FYZ002	3/8" Lock Washer	2
FYZ003	3/8" Flat Washer	2
FYZ008	1/2"-20 Nylon Hex Lock Nut	2
FYZ011	1/2" Flat Washer	2
FYZ016	5/8"-11 Hex Nut	2
FYZ017	5/8" Lock Washer	2
FYZ018	5/8" Flat Washer	2
INST039	Instructions	1
SF002	2" x 6" Foam Pad	2
FYZ014	1/2"-20 x 3.25 Carriage Bolt Grade 8	2

FOR MORE INFORMATION SCAN HERE!

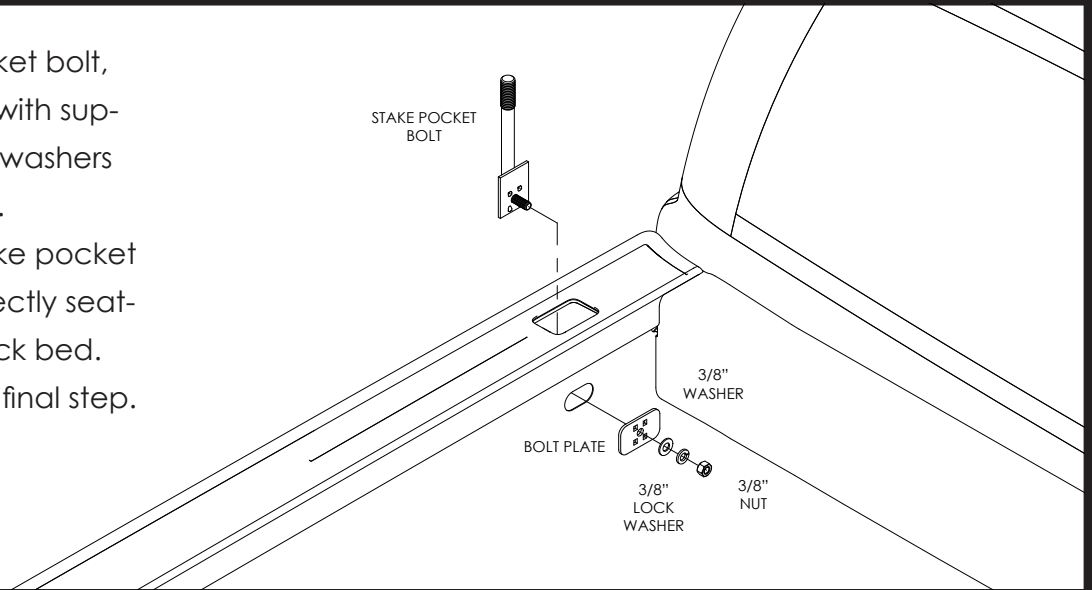


BACKRACK™

FUNCTION AND STYLE FOR TODAY'S TRUCKS

1

Insert stake pocket bolt, fasten as shown with supplied bolt plate, washers and nuts. Make sure the stake pocket bolt tabs are correctly seated in slot on truck bed. Hand tighten until final step.

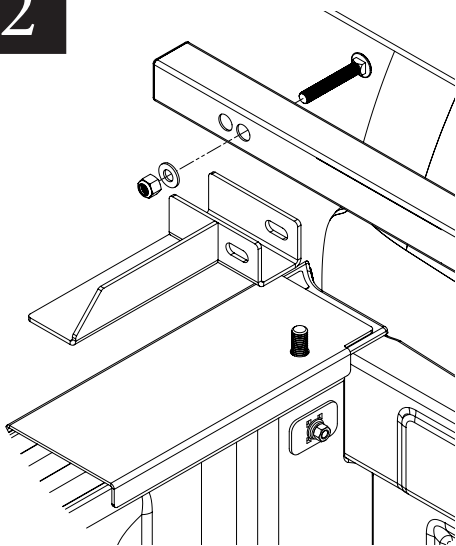


2

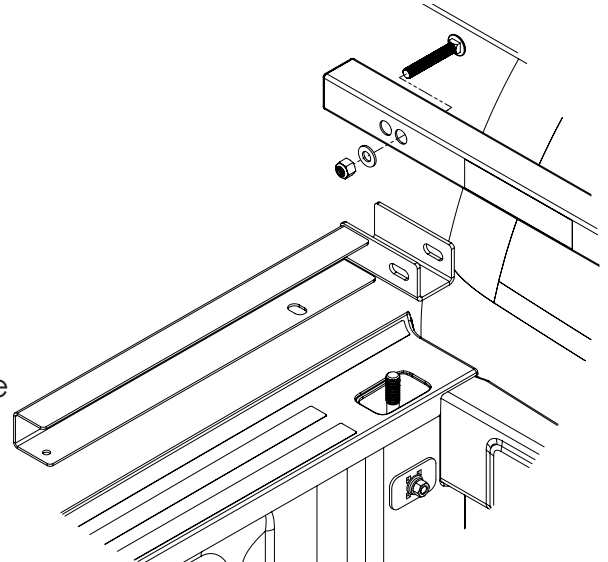
Fasten Backrack to the Rail mount bracket, or Toolbox bracket. Finger tighten at this stage.

****IMPORTANT****

Install the carriage bolt as shown in the diagram with the round head closest to the cab. Failure to do so could result in damage to the cab or rear window.



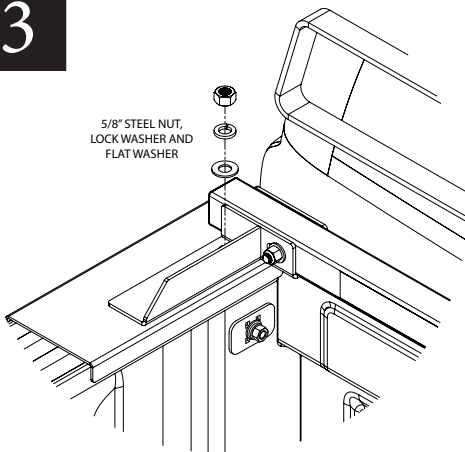
KIT #30119



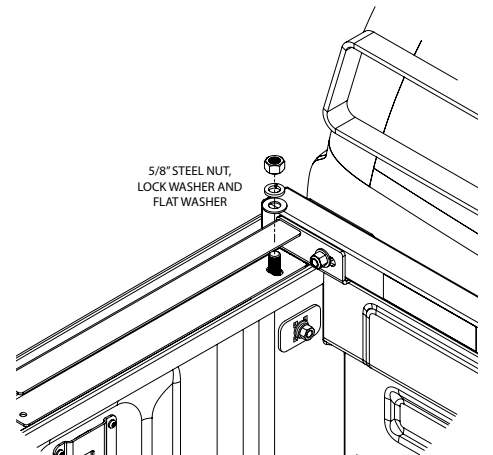
KIT #30119TB,
30119TB31

3

Fasten Backrack Assembly to the Stake pocket bolt as shown. Center the Backrack assembly on the truck and final torque all bolts starting with the nuts on the inside of the truck bed, then the rail mount or toolbox bracket and finally the main BACKRACK carriage bolt



KIT #30119



KIT #30119TB,
30119TB31