

# BACKRACK™

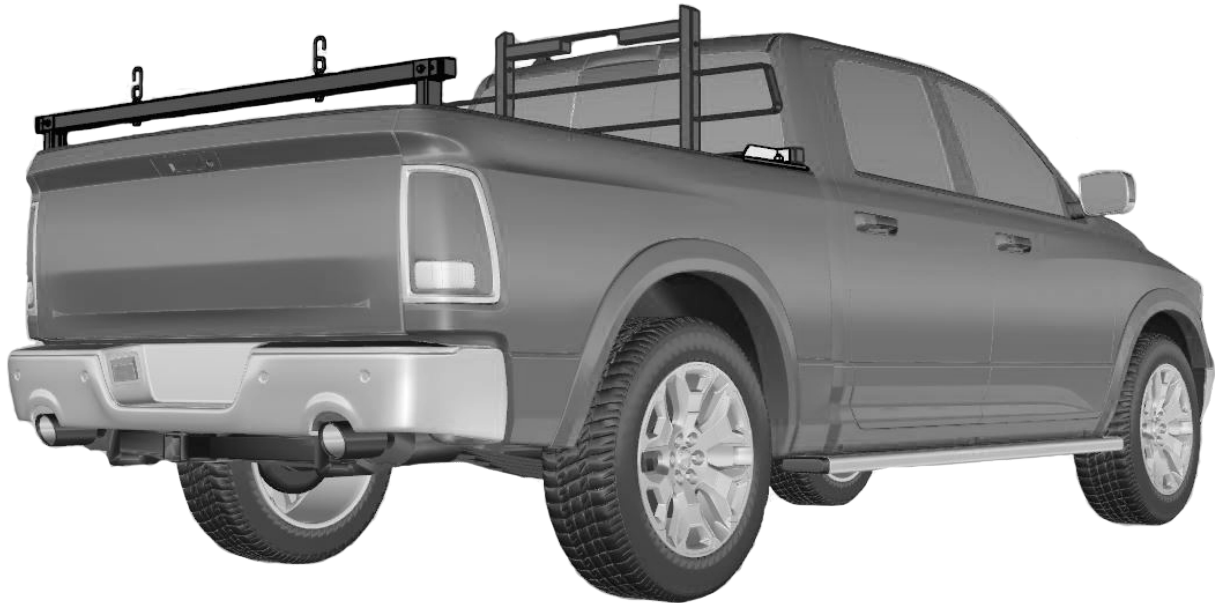
FUNCTION AND STYLE FOR TODAY'S TRUCKS

## UNIVERSAL INSTALLATION INSTRUCTIONS

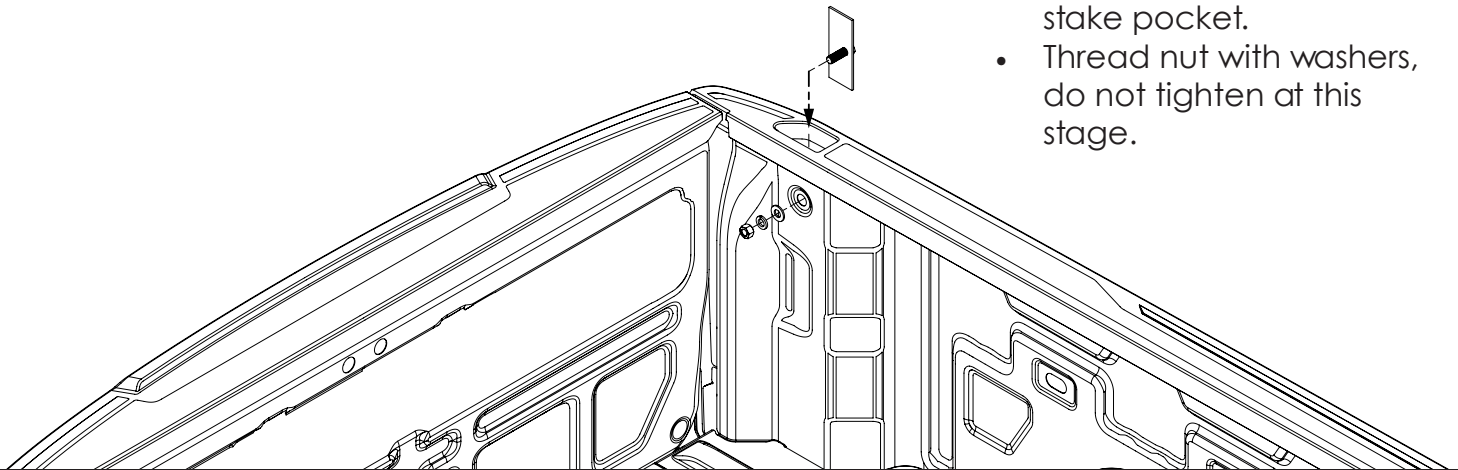
### REAR BAR ACCESSORY

#### WARNING READ THIS:

It is not recommended to use rear bar without tie downs to the truck bed. It is not recommended that the rear bar be left in the stake pockets unless in use with a tie down. Store rear bar securely in truck bed when not in use. The rear bar accessory, in most applications is installed into the stake pockets without a clamp plate and therefore can come lose if not tied down securely to the bed of the truck.



1



In some kits:

- Install clamp plate into rear stake pocket.
- Thread nut with washers, do not tighten at this stage.

**FOR MORE INFORMATION SCAN HERE!**

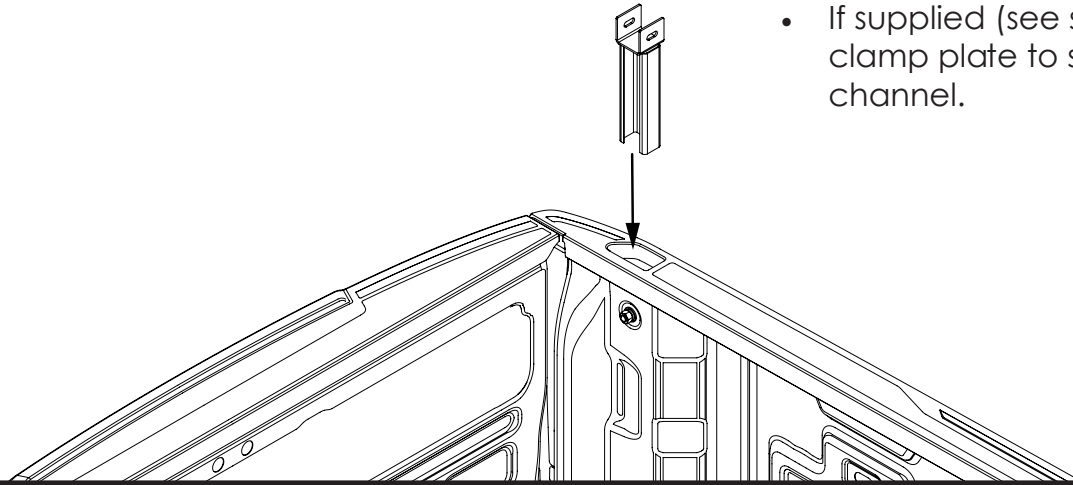


# BACKRACK™

FUNCTION AND STYLE FOR TODAY'S TRUCKS

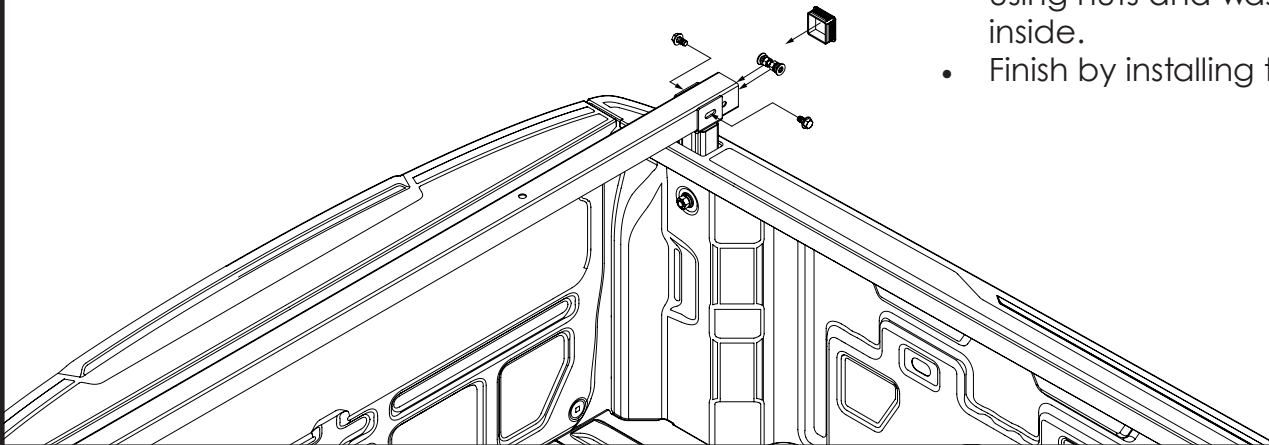
2

- Install driver and passenger side rear bar stake pocket channels.
- If supplied (see step 1), tighten clamp plate to secure rear bar channel.



3

- Install rear bar, center between rear bar channels.
- Bolt from each side as shown using nuts and washers on the inside.
- Finish by installing trim cap.



4

- Install tie downs to center holes as shown in diagram using nuts and washers.

