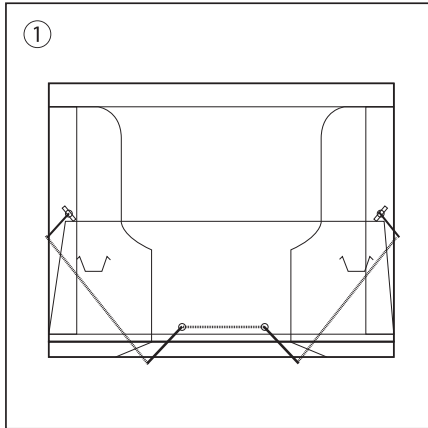
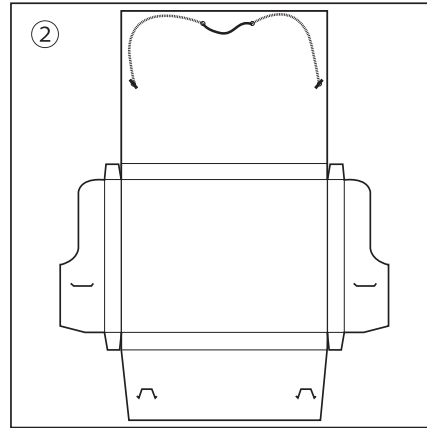


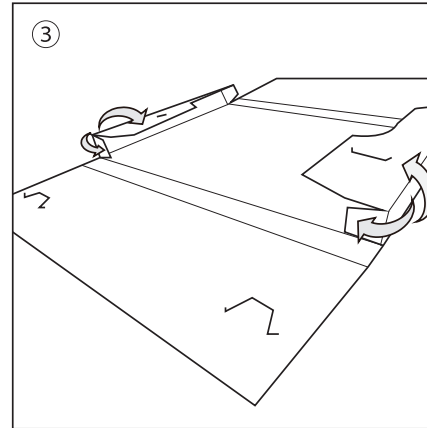
HOW TO ASSEMBLE - Lion FILE-N-TOTE Plastic Document File 45100F & 45200F



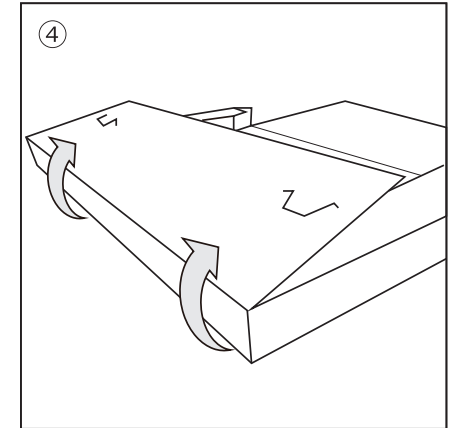
Remove from bag.



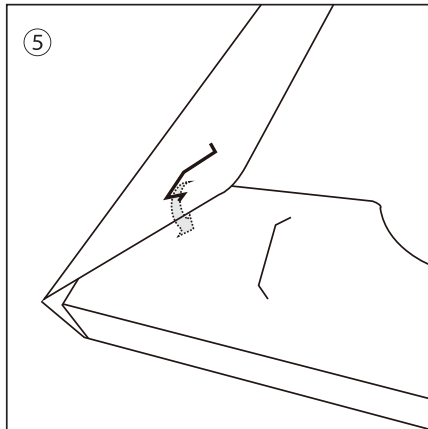
Unfold and open flat.



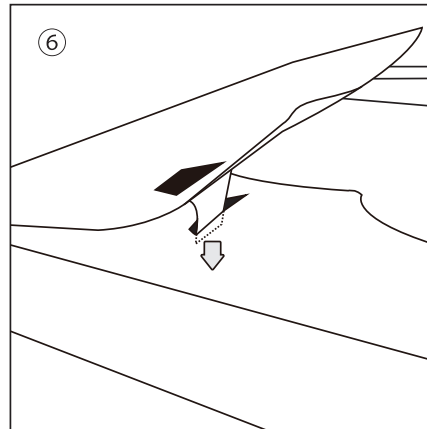
First, fold the sides up at the creased lines and unfold the two side flaps.



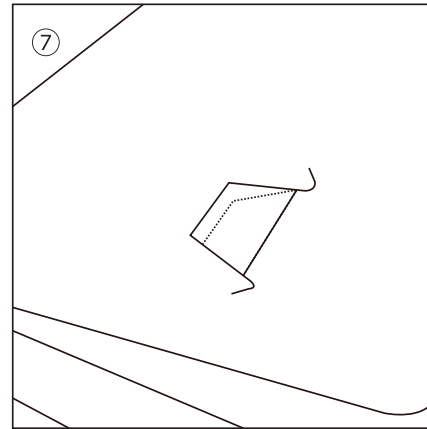
Crease the lines well and fold the bottom portion up.



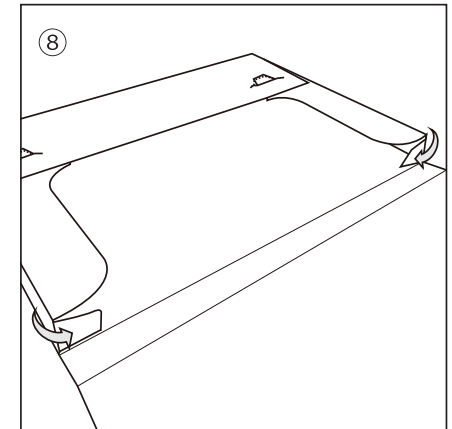
Press down on the tab.



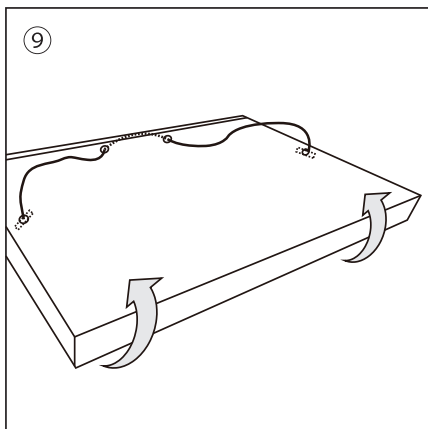
Tuck the tab into the slit.



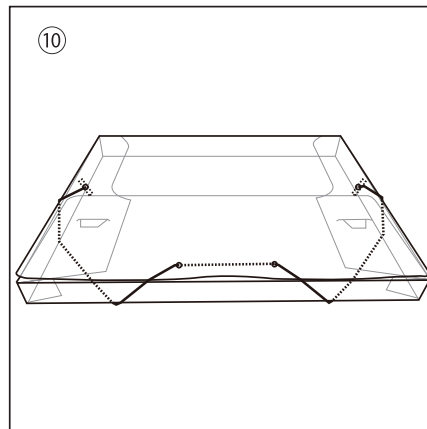
Be sure tabs are tucked in flat and snapped in securely. Do the same on the other side.



Next, unfold the two side flaps.



Fold down the top portion. Crease it well.



Hook elastic bands around the bottom two corners.

PRODUCT VARIATION

Item No. 45100F-CR : 13" W x 10" H x 1" D, Clear

Item No. 45100F-BL : 13" W x 10" H x 1" D, Blue

Item No. 45200F-CR : 13" W x 10" H x 2" D, Clear

Item No. 45200F-BL : 13" W x 10" H x 2" D, Blue



LION OFFICE PRODUCTS, INC.
GARDENA, CA., U.S.A.
www.lionop.com