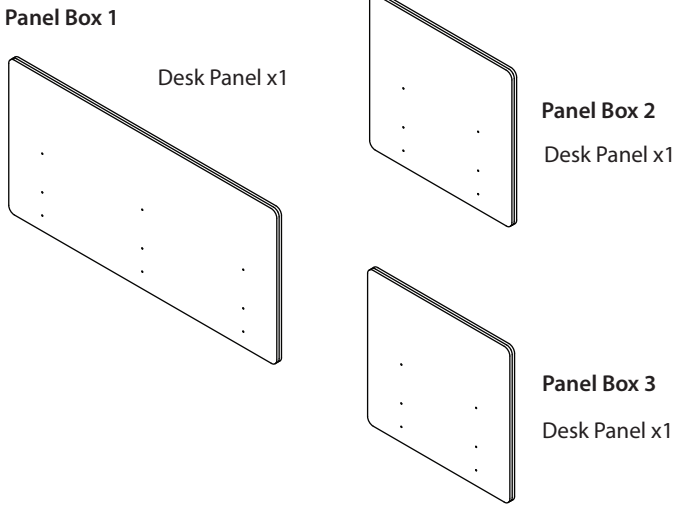




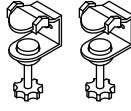
SIGHT + SOUND DAMPENING PRIVACY PANELS



Parts:



Clamp Box 1



Clamp x2



Allen Wrench x1

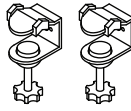


Hole Plugs x4



Screw x2

Clamp Box 2



Clamp x2



Allen Wrench x1

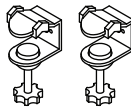


Hole Plugs x4



Screw x2

Clamp Box 3



Clamp x2



Allen Wrench x1

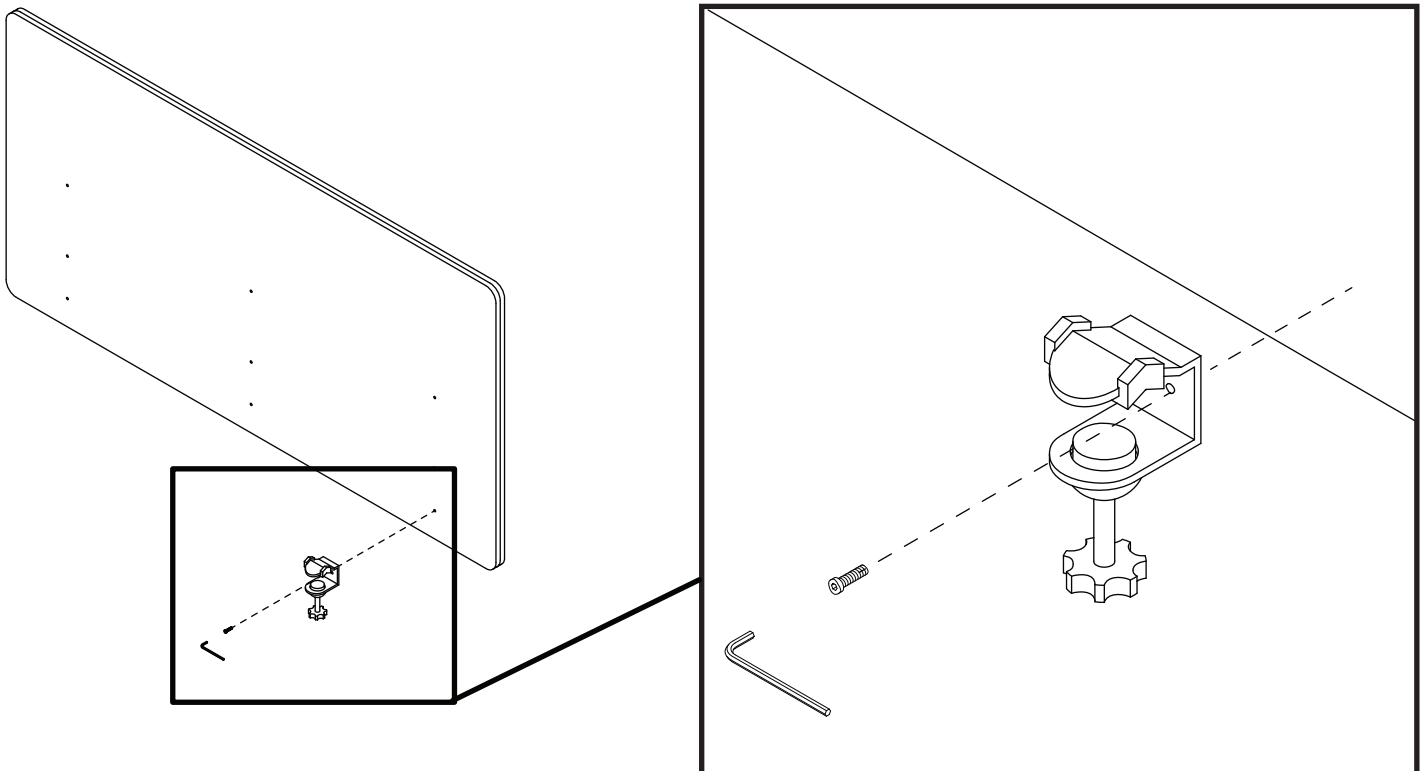


Hole Plugs x4



Screw x2

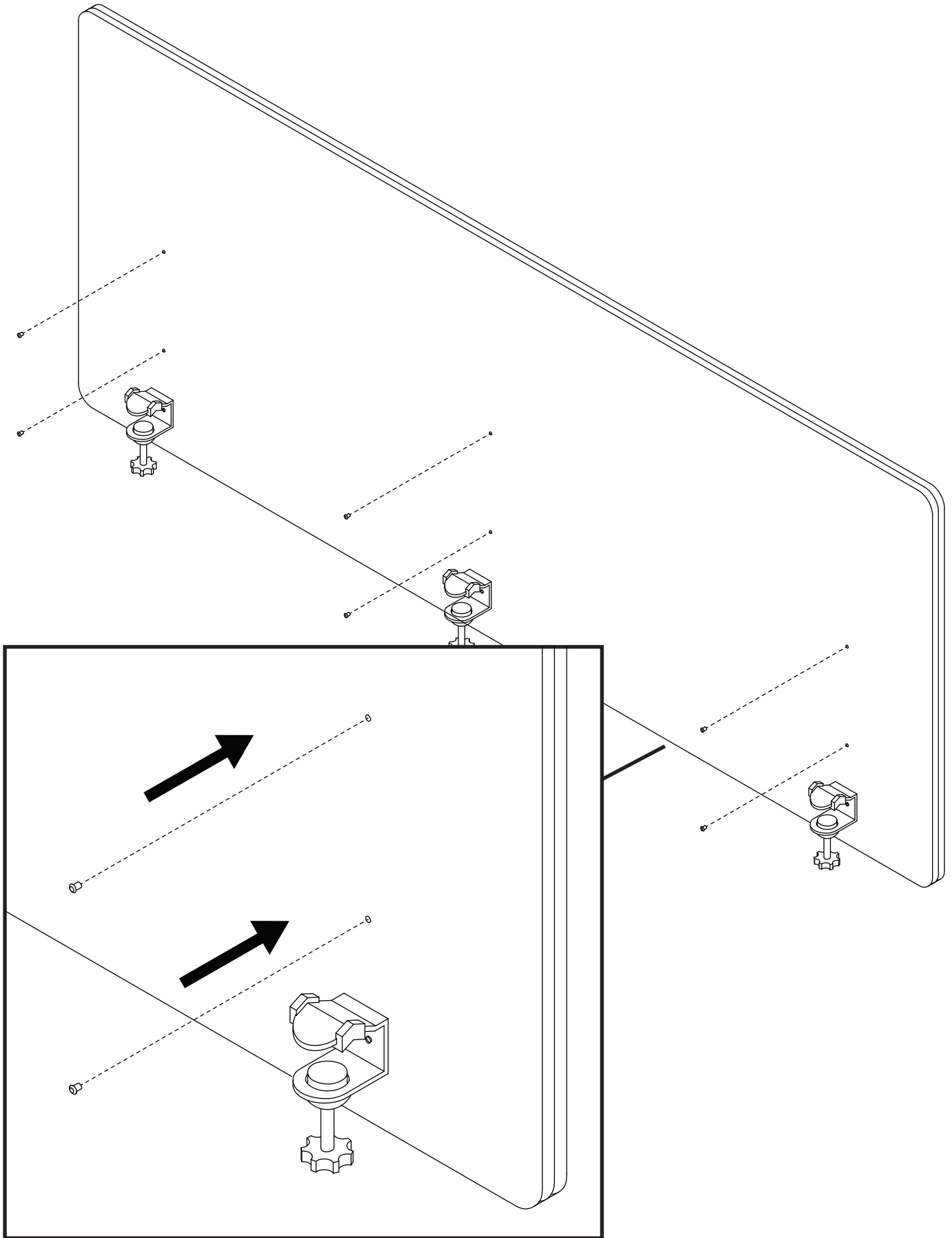
1 Please read all instructions before installation. Choose the desired height of the Panel. Hold Clamp up to the pre-drilled hole and insert Screw through the Clamp and into the Panel. Make sure that the Clamp is straight up and down for proper attachment to desk. Use the Allen Wrench to tighten until secure. Repeat with the other Clamp.



LUXOR

LuxorFurn.com/Reclaim

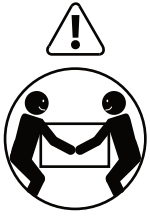
- 2 Next, take the Hole Plugs and insert them into the remaining holes by pushing firmly until they are secure.



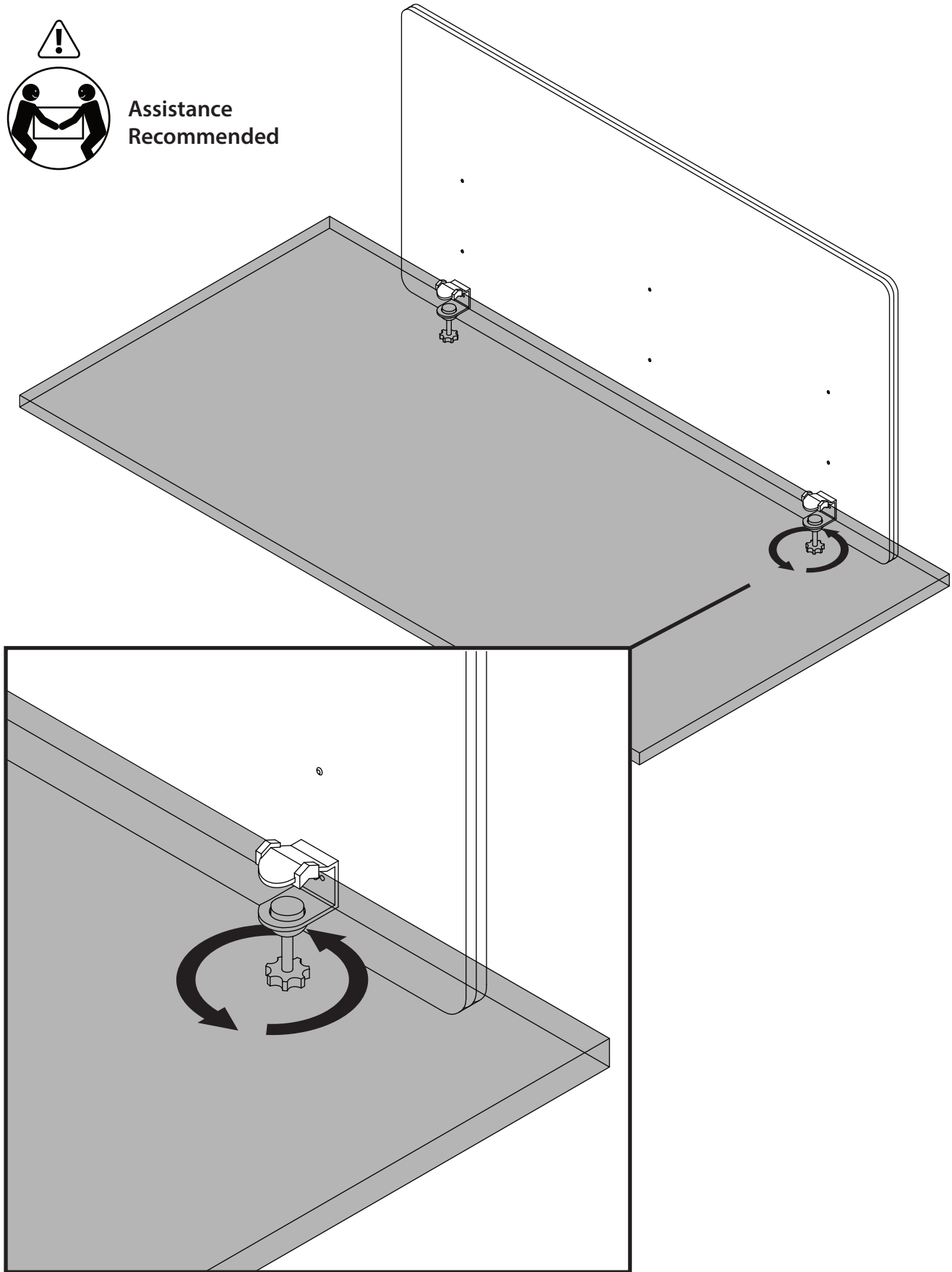
LUXOR

LuxorFurn.com/Reclaim

- 3 With help, slide the panel onto the desk making sure that the edge of the desk is all the way back inside of the clamp. Tighten the knob on both Clamps until the Panel is secured. Make sure that clamp is attached before installing the Panel to the desk. Repeat steps to attach the other two panels.



Assistance
Recommended



LUXOR

LuxorFurn.com/Reclaim