

Plastic Heavy Duty Utility Cart

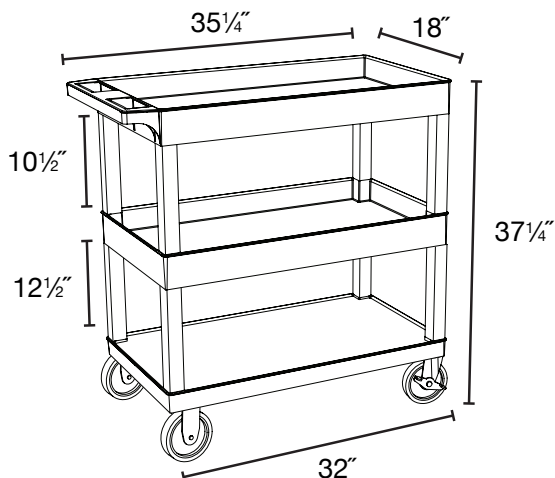


EC112HD
35 $\frac{1}{4}$ "W x 18"D x 37 $\frac{1}{4}$ "H

Black

Gray

- Tub shelves are 2 $\frac{1}{2}$ "D
- 33% More capacity than a standard 24"W x 18"D cart
- Has an ergonomic push handle molded into the top shelf
- Four 5" heavy duty casters two with swivel locking brake, two stationary
- Available in black or gray
- Molded plastic shelves and legs won't stain, scratch, dent or rust
- Maximum weight capacity of 500lbs (evenly distributed)



**MADE IN
USA**