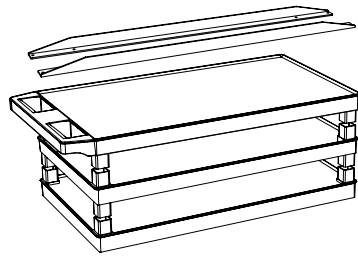
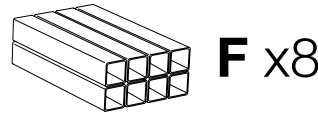


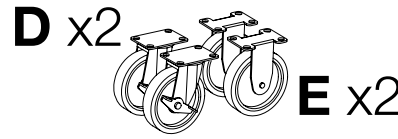
Parts List



G x2
A x1
C x1
B x1



F x8



D x2
E x2

Tools Required

- Rubber Mallet
- Phillips Screwdriver

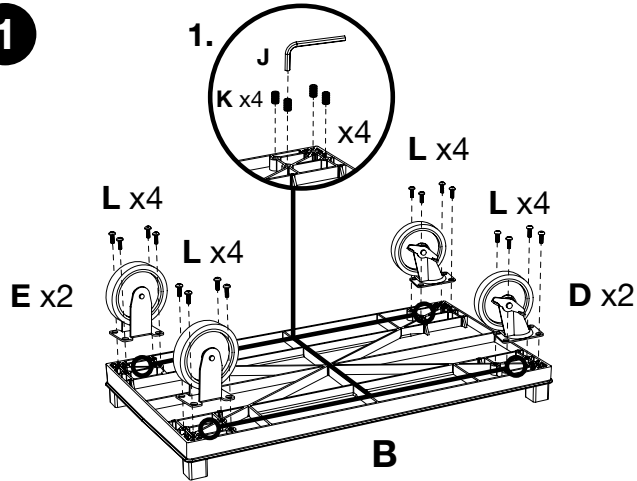


J x1

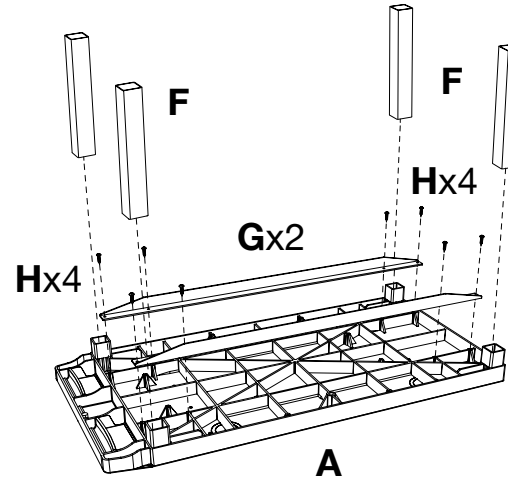


K x16 **L** x16 **H** x8

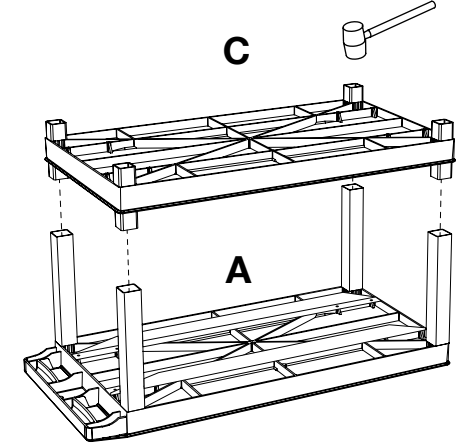
1



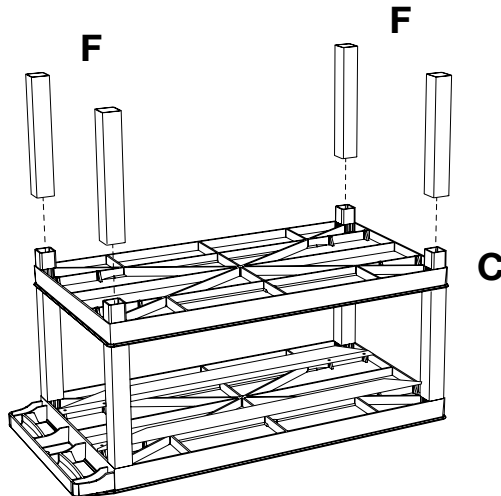
2



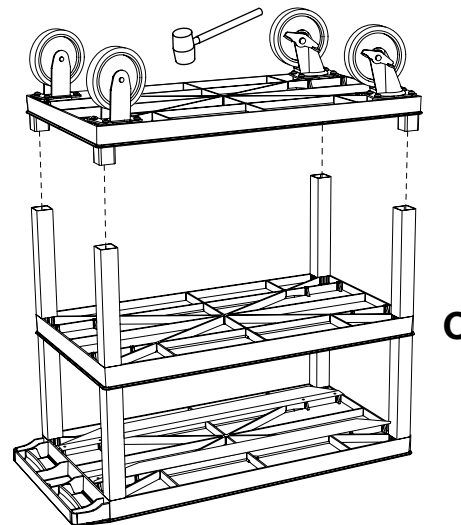
3



4



5



6

