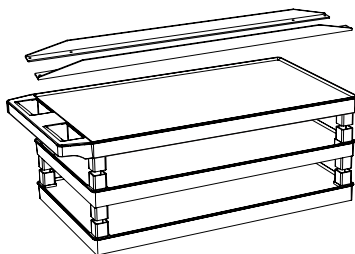
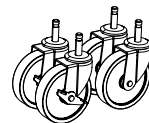


Parts List

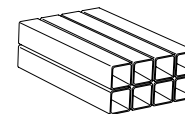


G x2
A x1
C x1
B x1

D x2



E x2



F x8

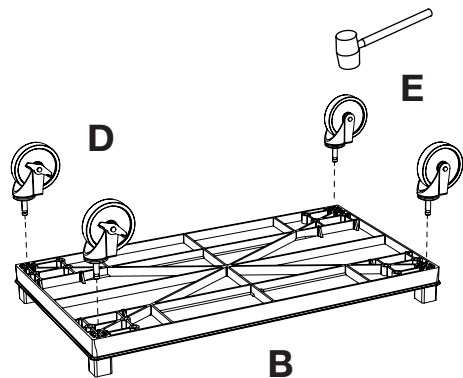


H x8

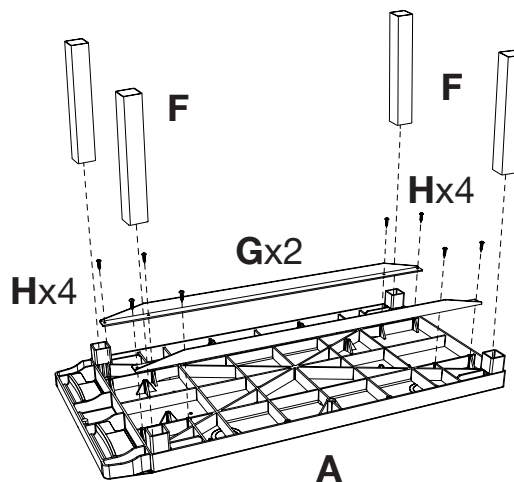
Tools Required

- Rubber Mallet
- Phillips Screwdriver

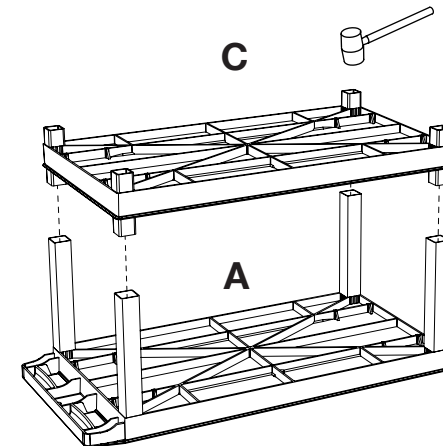
1



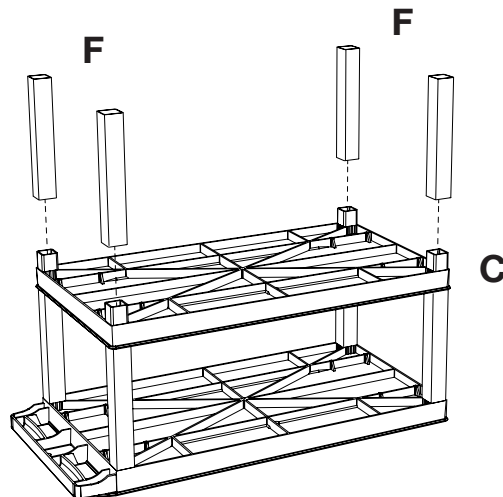
2



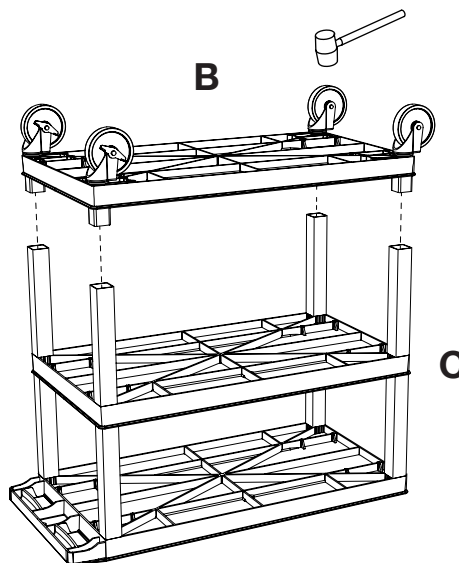
3



4



5



6

