

Stand Instructions

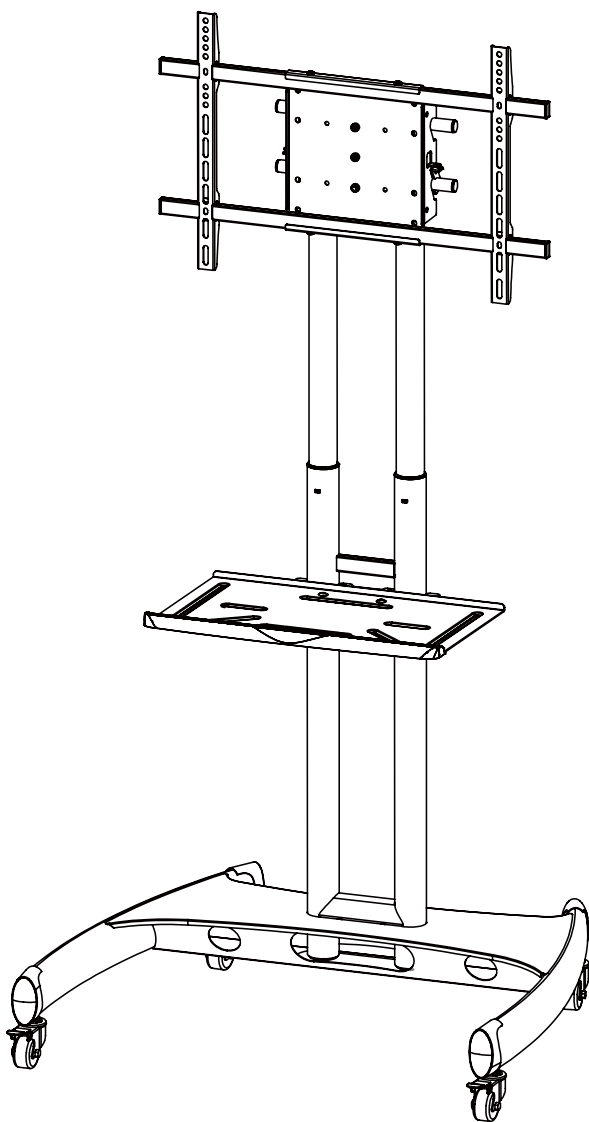


Table of Contents

Table of Contents and Warnings 2

Part List 3

Assembly and Installation

1. Adjust upper and lower poles 4

2. Attaching to the base assembly 5

3. Installing the Media Shelf 6

4. Install steel cross rods 7

5. Install the TV 8


6. Install mount to frame 9

7. Adjusting the mount 10

Tools Required

- Phillips Screwdriver
- Tape Measure
- Wrench



Assistance
Required 

WARNING!

Severe personal injury and property damage can result from improper installation. Read instructions carefully before beginning.

Assistance is required when installing the TV.

If you do not understand the instructions or have any concerns please contact a qualified local installer.




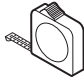



Do not install or assemble if the product or hardware is damaged or missing, if you require replacement parts, contact your local dealer.

This product fits most 40" - 60" flat panel displays; maximum weight for the display is 100 lbs. Do not use this product for anything other than what it was originally designed.

This product contains moving parts, please use caution.

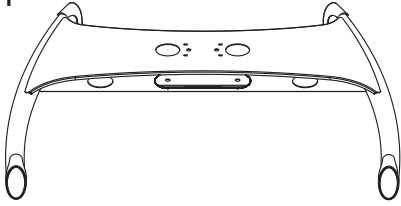
The manufacturer disclaims any liability for the modifications, improper installation, and installation exceeding maximum weight capacity. The manufacturer will not be liable for any damages arising out of the use of, or inability to use the product.

Visual Guides

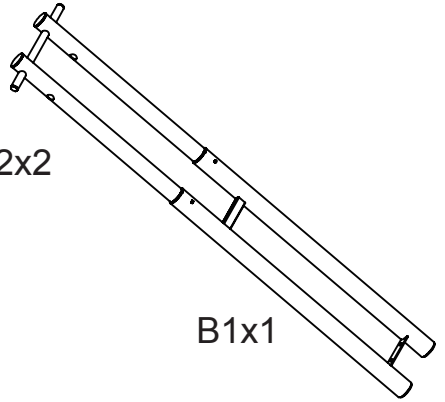
						
Tighten	Loosen	Phillips Screwdriver	Tape Measure	Adjustment	By Hand	Hex Wrench

Parts List

A1x1



B2x2



A2x4

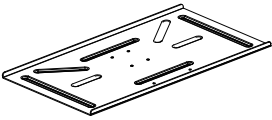


A3x1

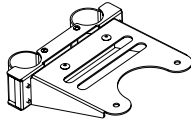


B1x1

C1x1



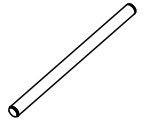
C2x1



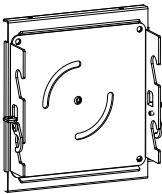
C3x1



B3x1



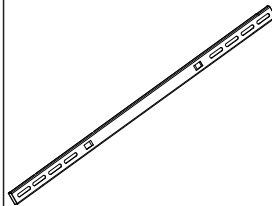
D1x1



D2x2



D3x2



B4x4



A

4X



M8×25mm

B



M6×25mm

C

4X



M5×25mm

D

8X



Φ16×Φ6.2×1.5mm

E

4X



Φ18×8×H10mm

G

4X



M8×20mm

H

1X



M5

I

1X



J

4X



M6×16mm

K

4X



L

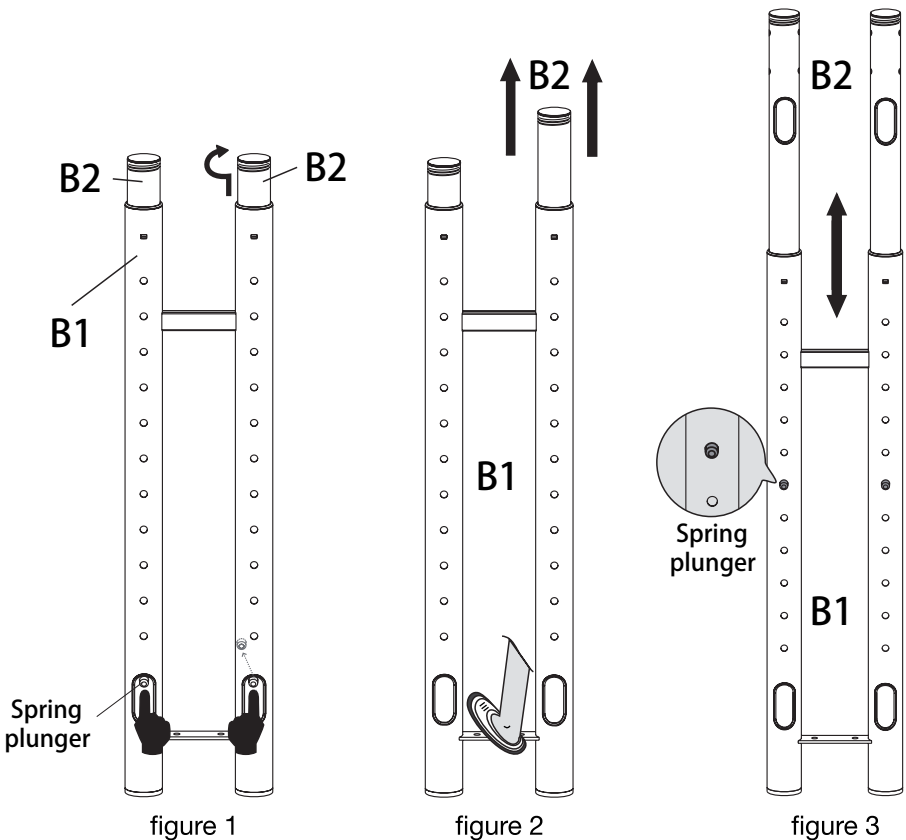
1X



M4

1 Adjust upper and lower poles

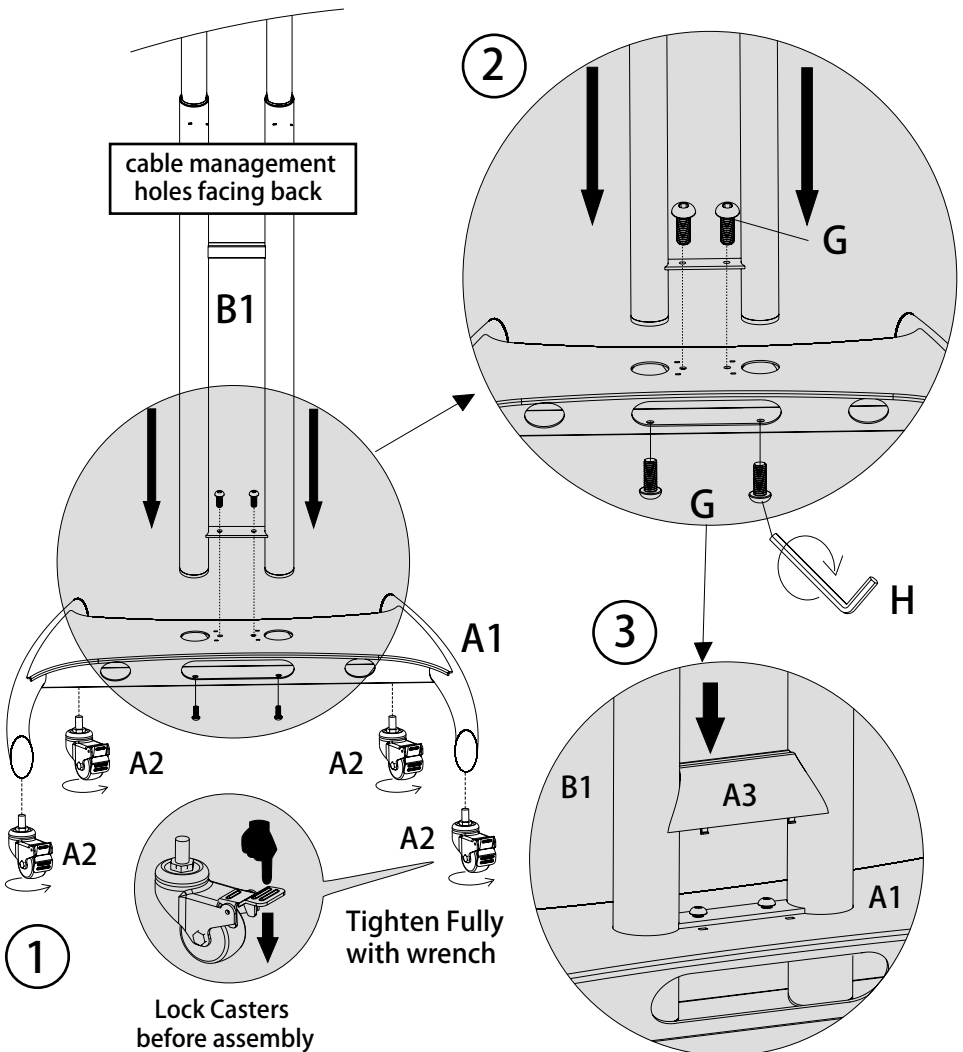
- 1 Locate the spring plungers inside the bottom grommet hole of pole B1 (If your unit has B3 cross bar pre-installed remove prior). Starting with the right side pole B2, push the spring plunger down and pull B2 up slightly and twist it slightly so that the spring plunger remains offset. This will make adjusting the pole easier. (figure 1)
- 2 Hold the poles B1 & B2 with your hands and use your left foot on the cross bridge of B1 for stability Pull B2 upward until you reach your desired height Twist B2 so that the spring plunger locks into the nearest spring plunger hole. (figure 2)
- 3 Repeat the same steps for the left side pole B2 but use your right foot for stability instead Align poles B2 and lock the spring plunger into place. (figure 3)



Lift pole assembly so that the part remains upright and the cable management holes are facing toward you.

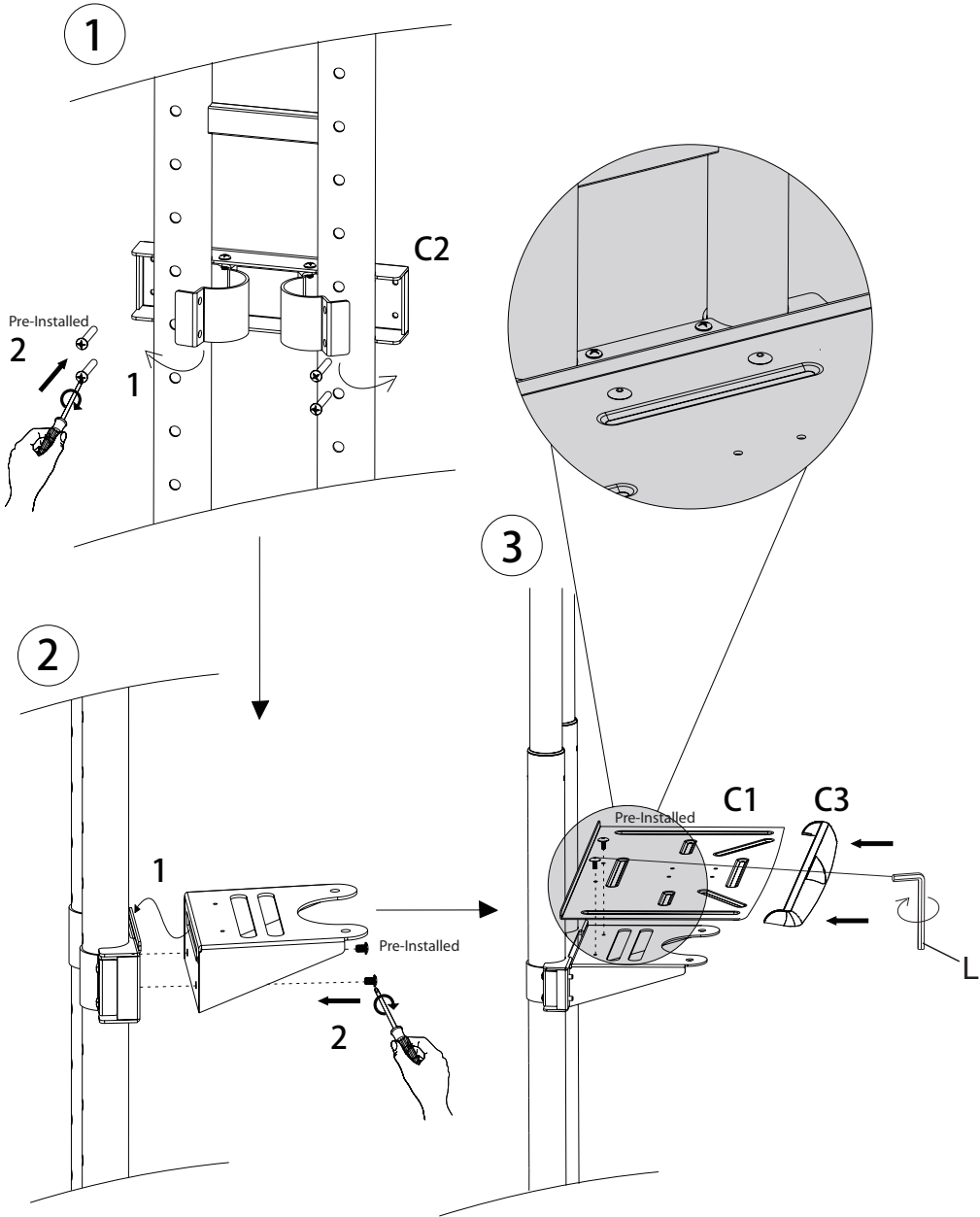
2 Attaching to the base assembly

- 1 Thread casters A2 into the bottom of base A1. Make sure all casters are locked to prevent movement during installation
- 2 With allen wrench M attach lower poles B1 to base A1 with screw G. First through the bottom of base A1, then through the top of base A.
- 3 After screws G are firmly fastened, push down the screw cover A3 until it locks into place

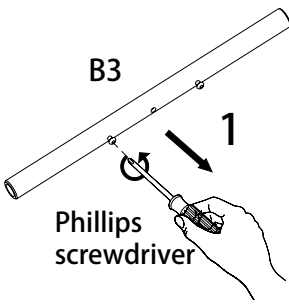


3 Install the media shelf

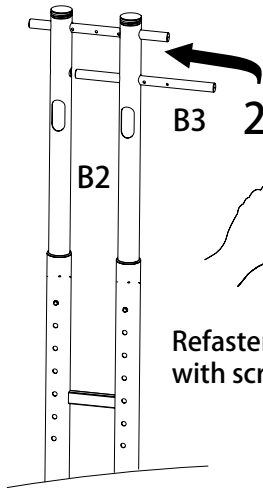
Remove Pre-Installed Screws



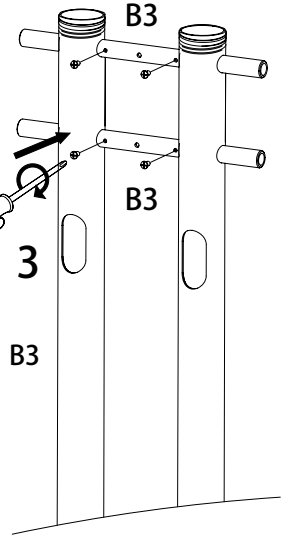
4 Install steel cross rods



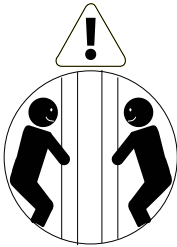
Remove the pre-installed screws on rod B3. Making sure the upper poles B2 are aligned, slide rods B3 into the top openings



Refasten rods B3 with screws.

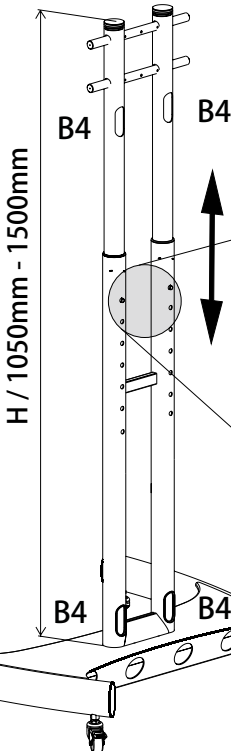


4a Height adjustment

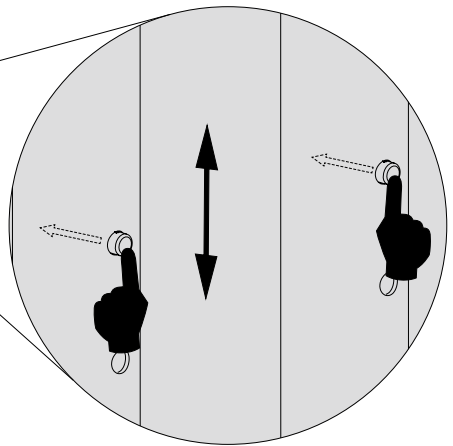


Assistance Required

Cables Unplugged

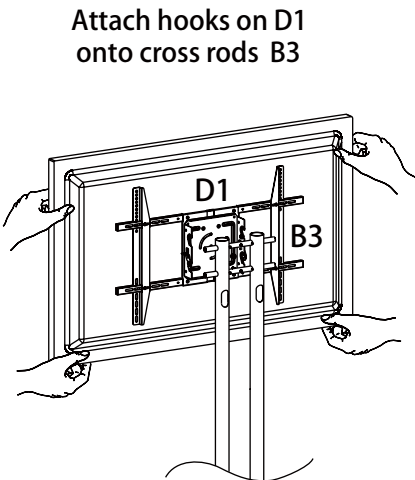
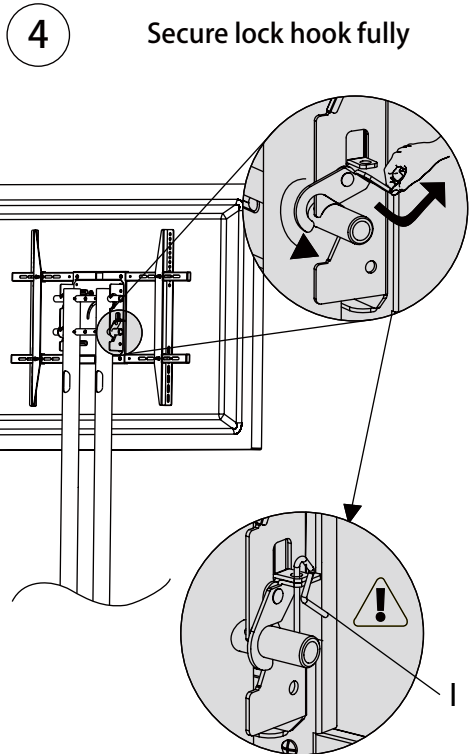
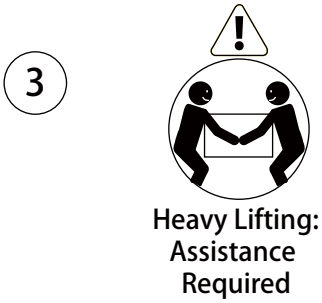
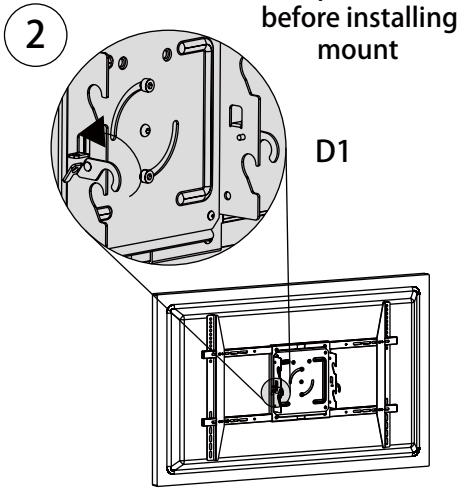
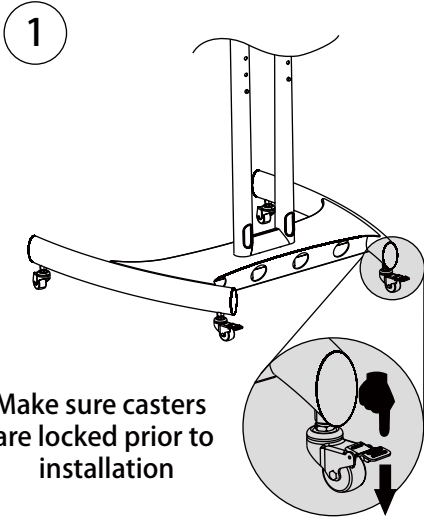


Slide the upper poles B2 up or down to the different spring plunger holes for your desired height. Install grommet covers B4 into the grommet holes.



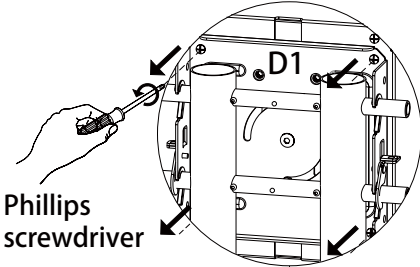
Press and hold both spring plungers to slide the upper poles B2.

6 Install mount to frame



7 Adjusting the mount

Remove pre-installed screws



Re-attach screws

