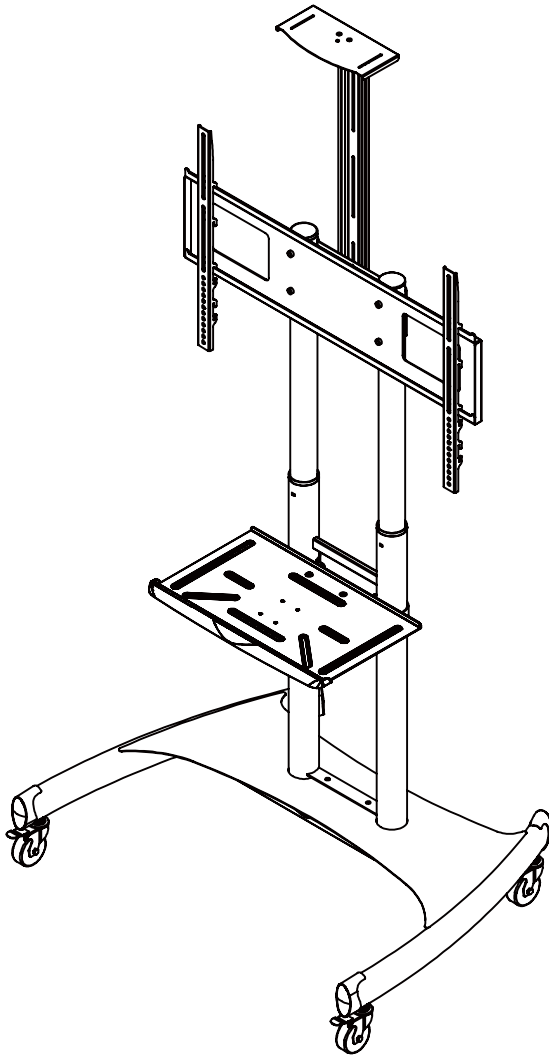


# Flat Panel Cart Assembly Guide



## Adjustable Height Flat Panel TV Cart with Media Shelf and Camera Shelf

Designed for 42"-80" TV Panels

VESA: 200 x 200 - 800 x 500

Max Load Capacity: 200 lbs

Media Shelf Max Load: 10 lbs

Camera Shelf Max Load: 10 lbs

## Table of Contents




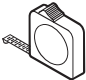



Table of Contents and Warning .....	2/11
Parts List .....	3/11
Assembly and Installation	
1.1 Caster wheels to base installation .....	4/11
1.2 Install telescopic mounting poles .....	4/11
2. Adjust telescopic mounting poles .....	5/11
3. AV shelf assembly and installation .....	6/11
4. Installation of interface .....	7/11
5. Selection of TV mounting patterns .....	8/11
6. Mounting TV on poles interface .....	9/11
7. Webcam shelf installation .....	10/11
8. Cables and wires installation .....	11/11

## WARNING!

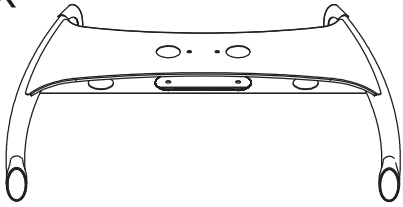
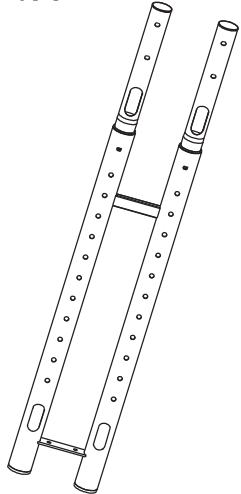

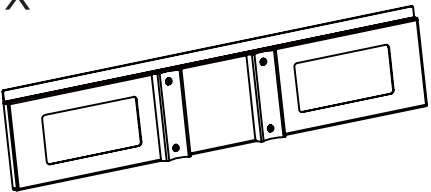


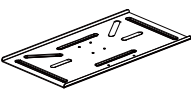

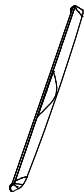


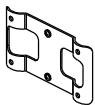













Severe personal injury and property damage can result from improper installation or assembly. Read the following warning carefully before beginning.

- If you do not understand the instructions or have any concerns or questions, please contact a qualified local installer.
- Do not install or assemble if the product or hardware is damaged or missing, if you require replacement parts, please contact your local distributor for assistance.
- This product fits most 42"- 80": LED/LCD/plasma screen; maximum weight of LCD/plasma screen: 200lbs/90kg; AV shelf max load: 10lbs/4.5kg; Video tray max load: 10lbs/4.5kg.
- Do not use this product for anything other than the original design.
- This product contains moving parts, please use with caution.
- The manufacturer disclaims any liability for the modifications, improper installation, or installation over the specified weight range. The manufacturer will not be liable for any damages arising out of the use of, or inability to use, the product.

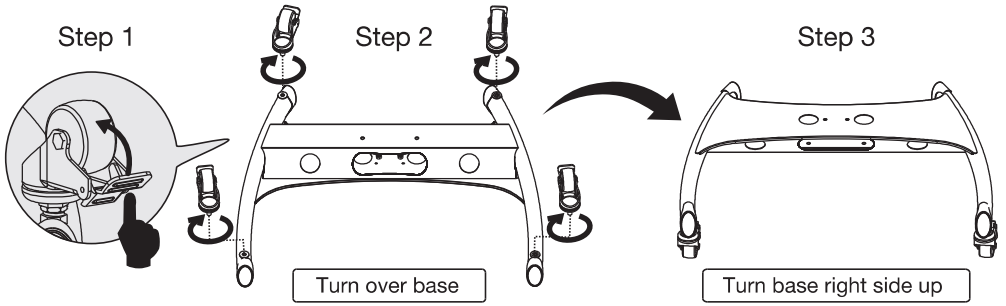
## MANUAL

						
Tightening Direction	Loosening Direction	Phillips Screwdriver	Tape Measure	Adjustment	By Hand	Hex Wrench

# Part List

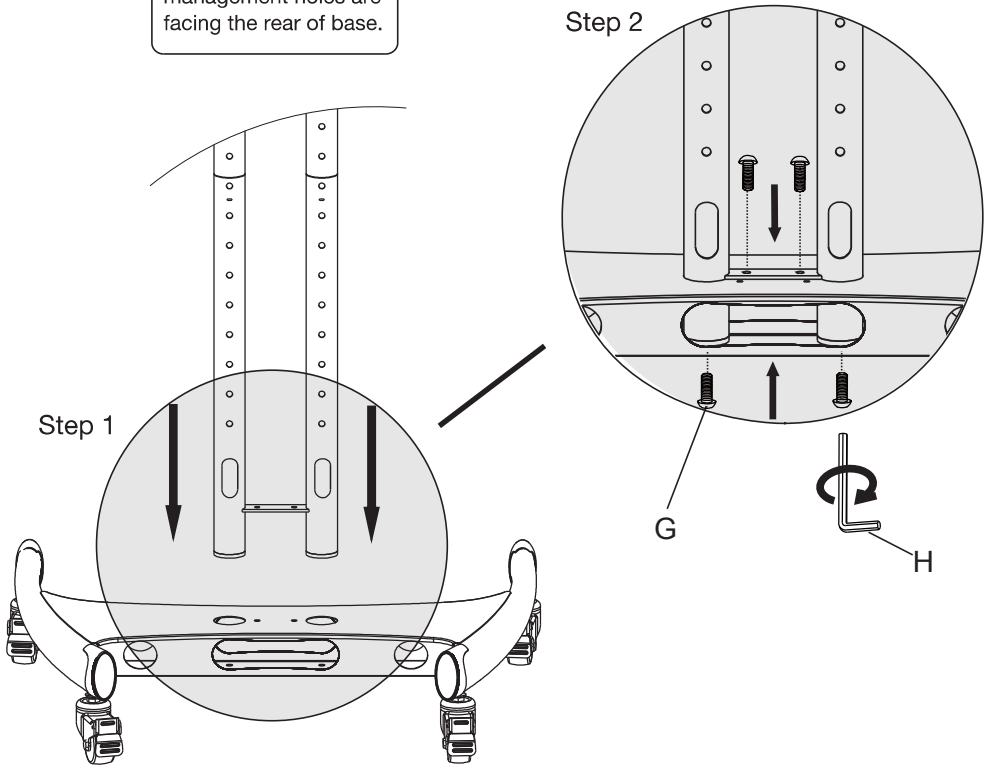
1X 		1X 		4X 		
1X 				1X 		
				1X 		
1X 	2X 	1X 	1X 	1X 	1X 	4X 
						2X 
A 4X  M8×25mm	B 4X  M6×25mm	C 4X  M5×25mm	D 4X  Φ16×Φ6.2×1.5mm	E 4X  Φ18×8 ×H10 mm		
G 6X  M8×20mm	H 1X  M5	I 2X  Φ12×Φ5.5×1.2 mm	J 6X  M5×10mm	K 4X  M8×75mm	L 2X  M8×10 mm	

## 1.1 Caster wheels to base installation



## 1.2 Install telescopic mounting poles

**Note:** Make sure cable management holes are facing the rear of base.



## 2. Adjust telescopic mounting poles

Step 1: Use thumb or finger to depress the right upper pole spring plunger ball located at the cable window, pull upper pole upward until your desired height. Twist upper pole toward plunger hole direction and engage the spring ball into the plunger hole and set as shown in Figure 1.

Step 2: Repeat with left pole.

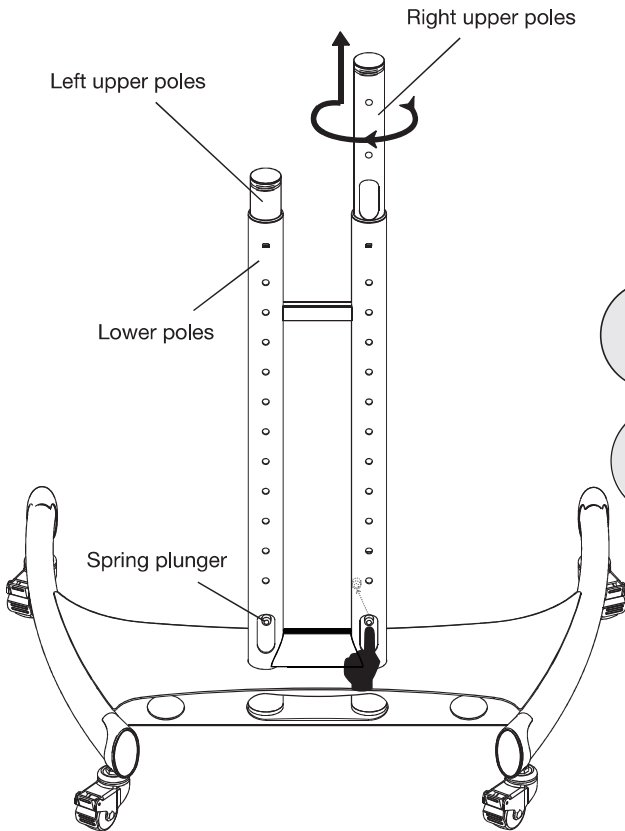


Figure 1

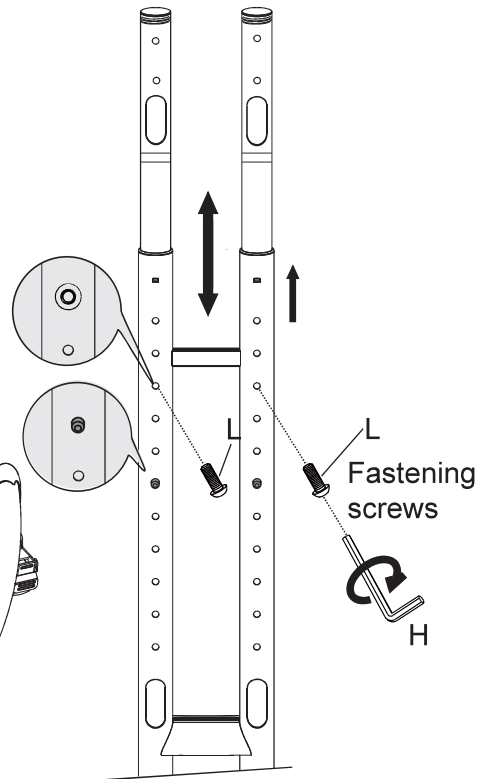
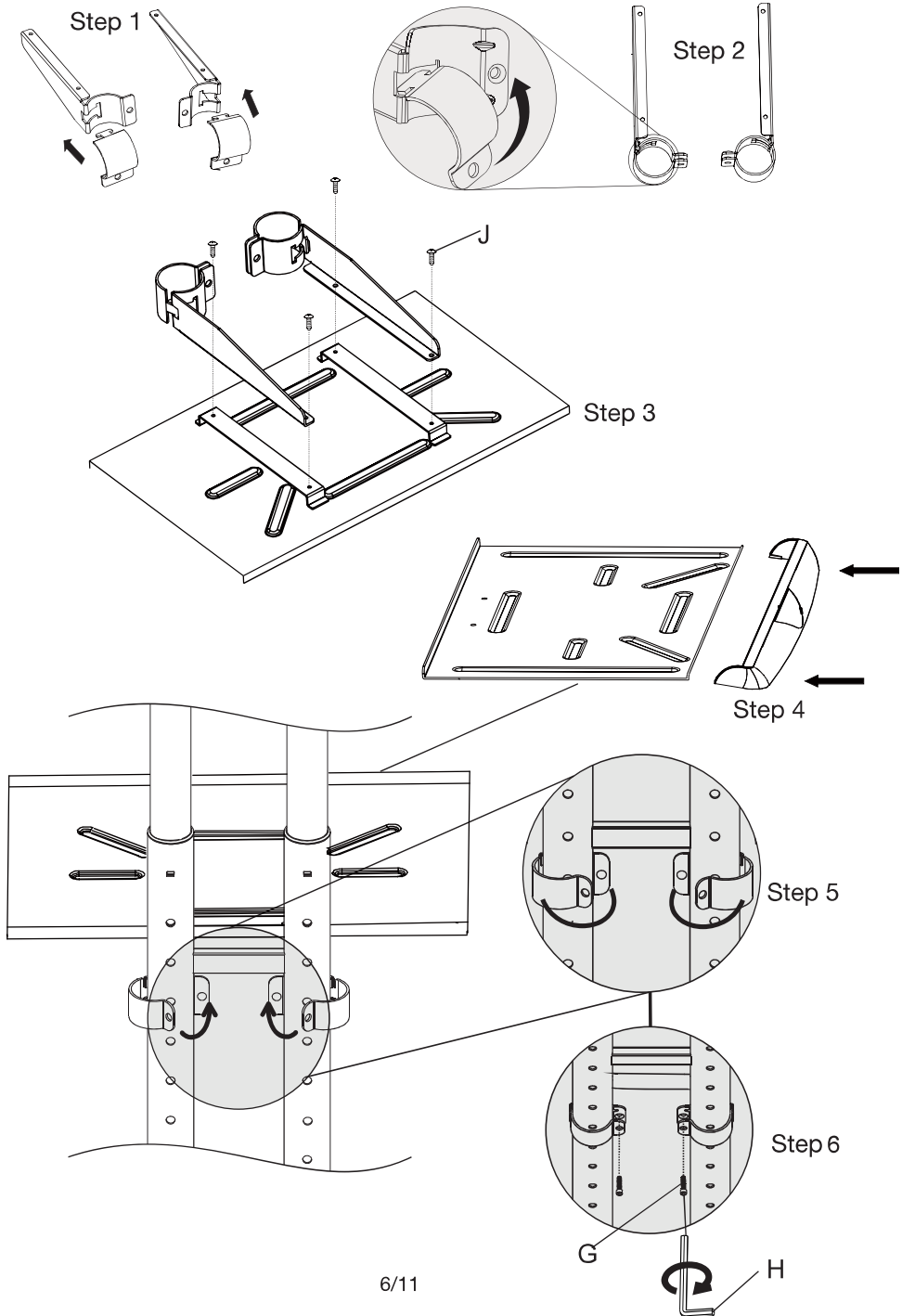
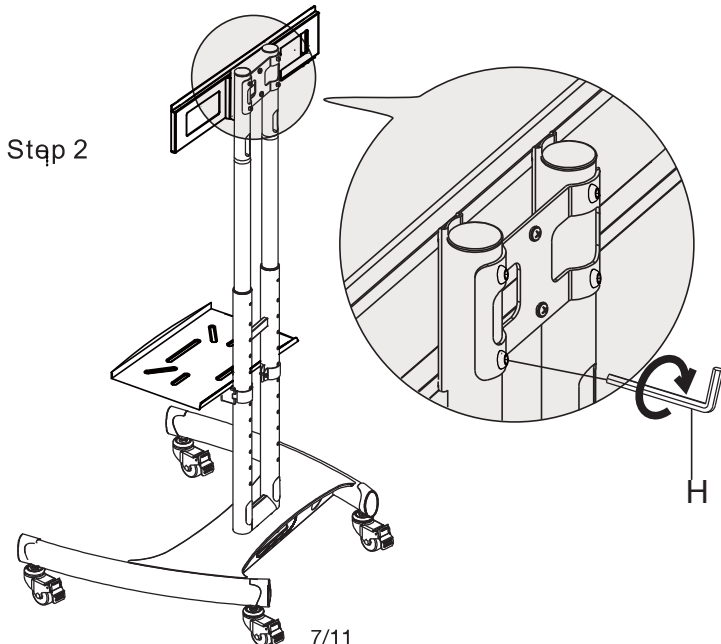
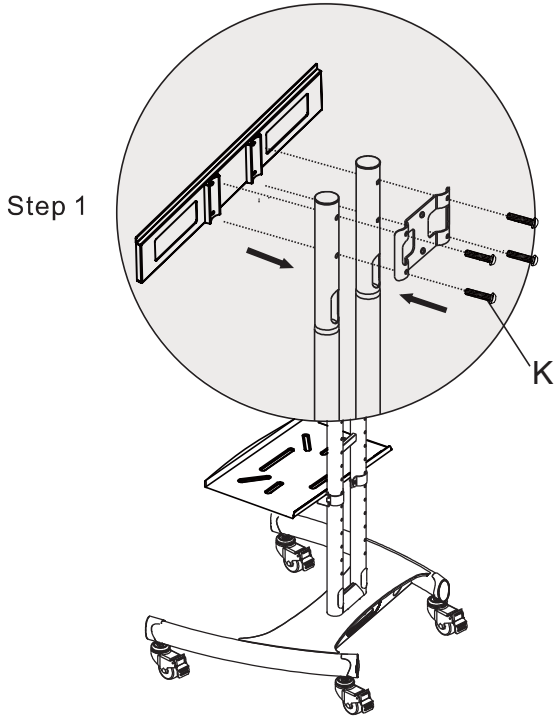


Figure 2

### 3. AV shelf assembly and installation

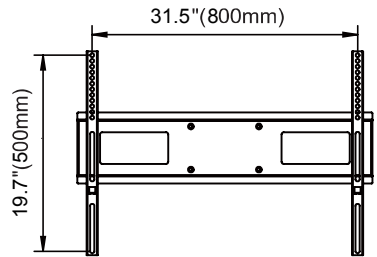
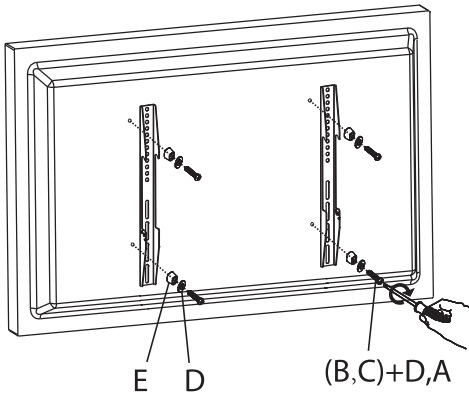
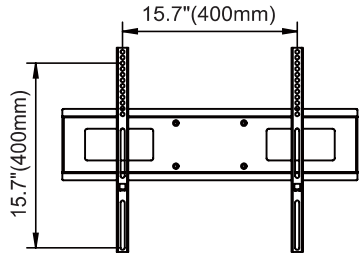
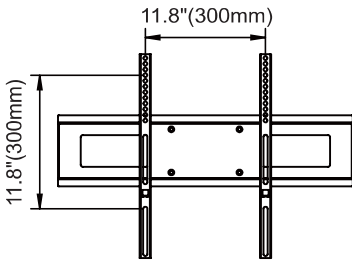
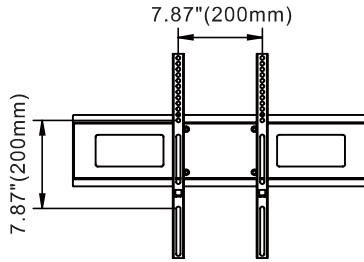


## 4. Installation of interface

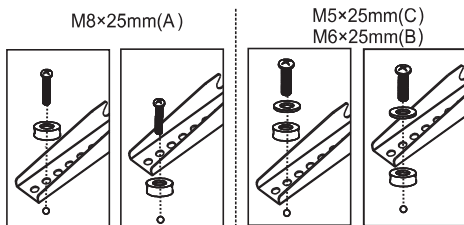


# 5. Selection of TV mounting patterns

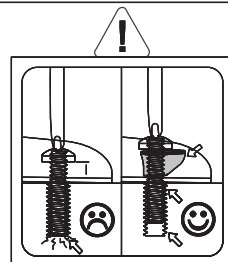
VESA: 200x200~800x500mm



**Note:**  
To avoid damage, a spacer must be used when the mounting hole is minimal.

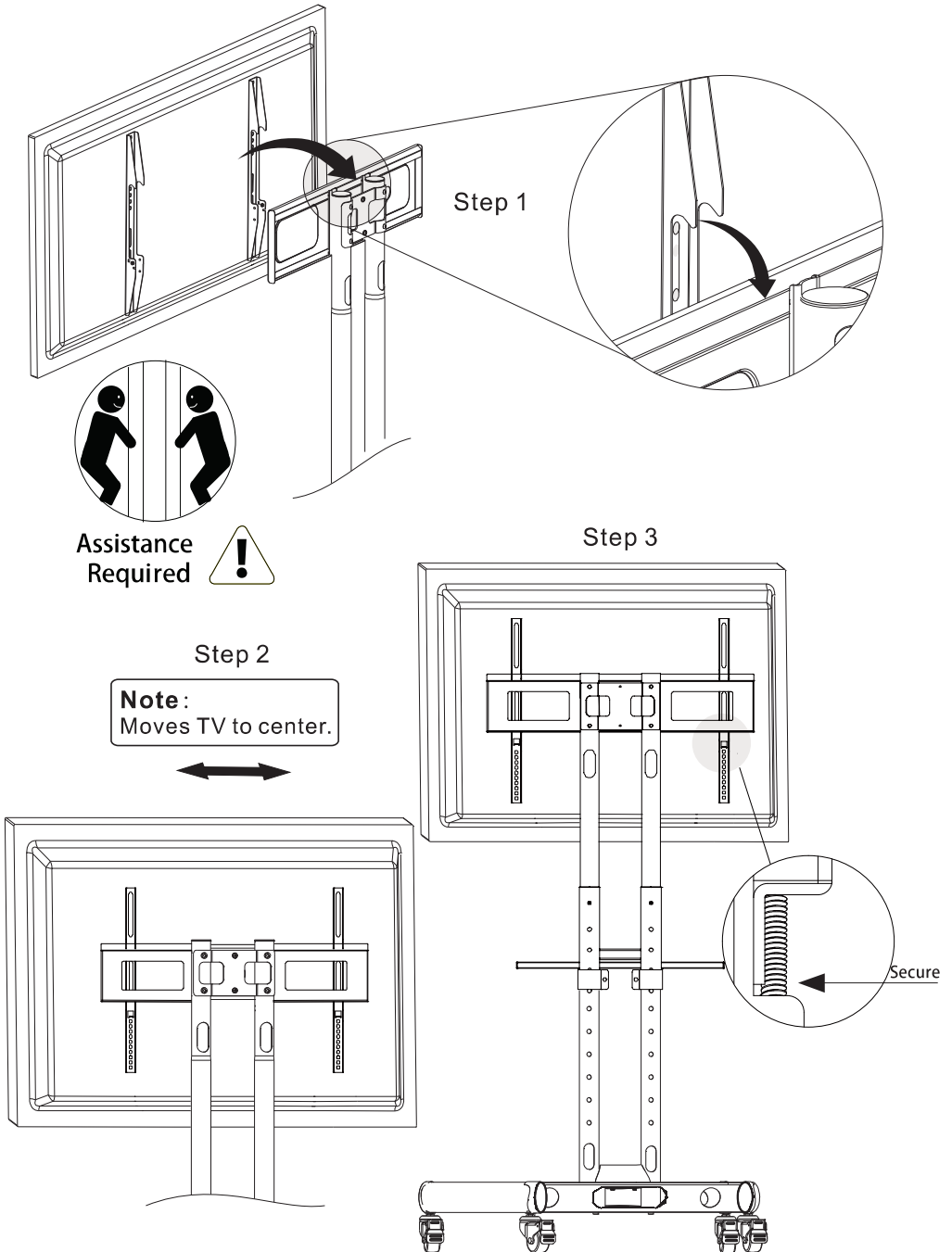


Spacer Suggestions

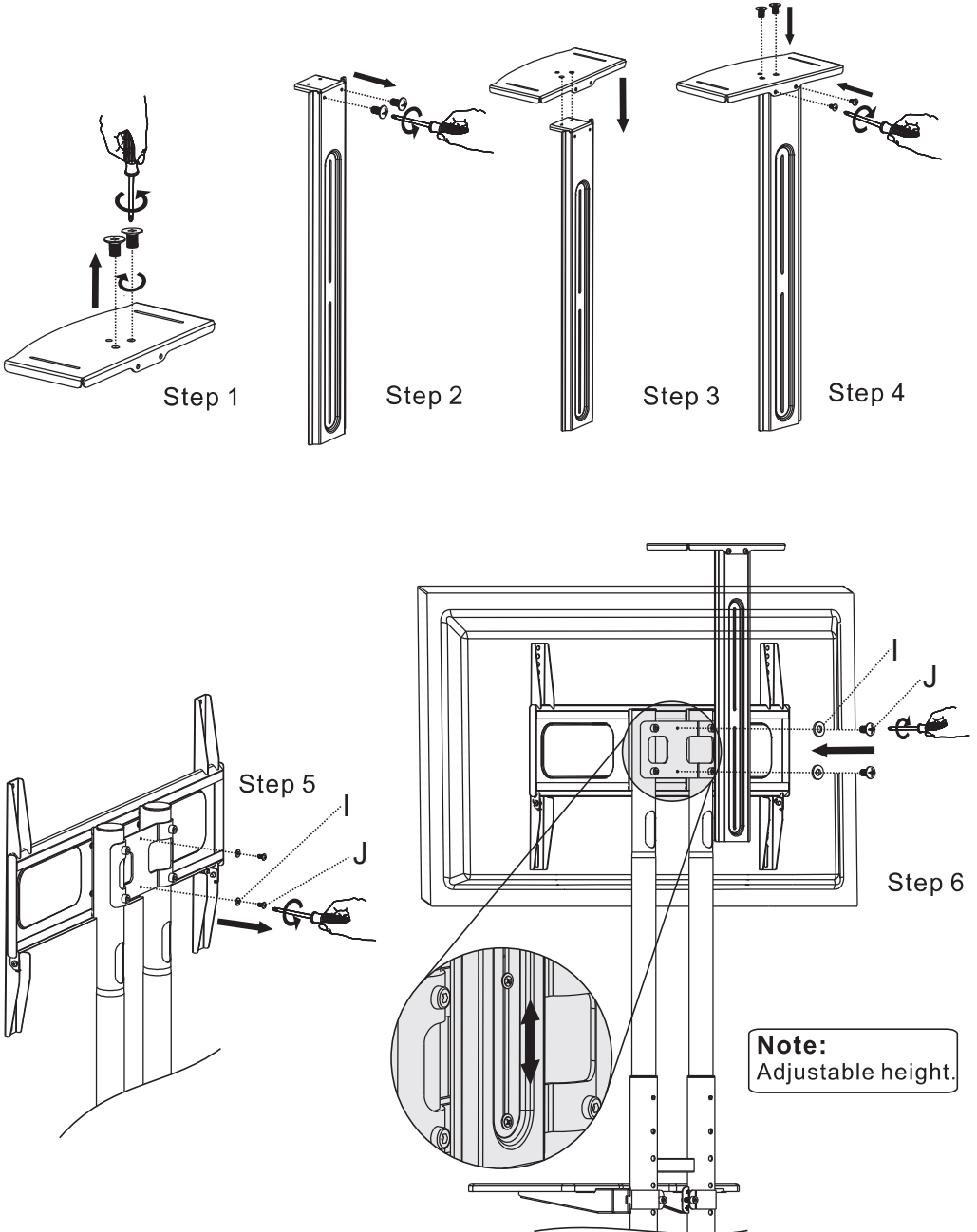




## 6. Mounting TV on poles interface



## 7. Webcam shelf installation



## 8. Cables and wires installation

